

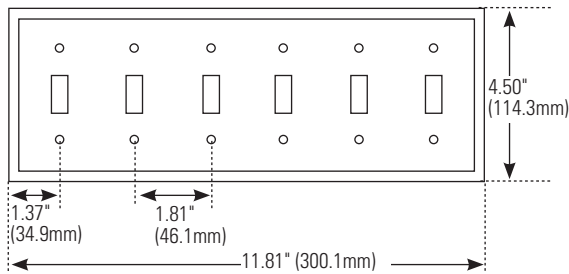
# Wallplate dimensional information



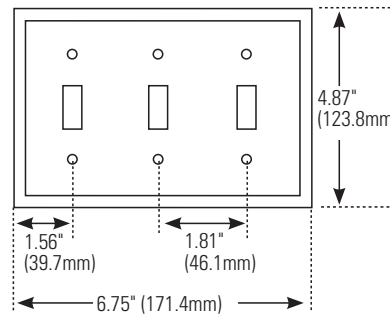
## Wallplate sizes

Gang	Description	Height	Width	First gang to edge	Gang to gang
1-Gang	Standard	4.50" (114.3mm)	2.75" (69.8mm)	1.37" (34.9mm)	—
	Mid-size	4.87" (123.8mm)	3.12" (79.4mm)	1.56" (39.7mm)	—
	Oversize	5.25" (133.3mm)	3.50" (88.9mm)	1.75" (44.4mm)	—
2-Gang	Standard	4.50" (114.3mm)	4.56" (115.9mm)	1.37" (34.9mm)	1.81" (46.0mm)
	Mid-size	4.87" (123.8mm)	4.94" (125.4mm)	1.56" (39.7mm)	1.81" (46.0mm)
	Oversize	5.25" (133.3mm)	5.31" (134.9mm)	1.75" (44.4mm)	1.81" (46.0mm)
3-Gang	Standard	4.50" (114.3mm)	6.37" (161.9mm)	1.37" (34.9mm)	1.81" (46.0mm)
	Mid-size	4.87" (123.8mm)	6.75" (171.4mm)	1.56" (39.7mm)	1.81" (46.0mm)
	Oversize	5.25" (133.3mm)	7.17" (182.2mm)	1.75" (44.4mm)	1.81" (46.0mm)
4-Gang	Standard	4.50" (114.3mm)	8.19" (207.9mm)	1.37" (34.9mm)	1.81" (46.0mm)
	Mid-size	4.87" (123.8mm)	8.56" (217.5mm)	1.56" (39.7mm)	1.81" (46.0mm)
	Oversize	5.25" (133.3mm)	8.94" (227.0mm)	1.75" (44.4mm)	1.81" (46.0mm)
5-Gang	Standard	4.50" (114.3mm)	10.00" (254.0mm)	1.37" (34.9mm)	1.81" (46.0mm)
	Mid-size	4.87" (123.8mm)	10.37" (263.5mm)	1.56" (39.7mm)	1.81" (46.0mm)
6-Gang	Standard	4.50" (114.3mm)	11.81" (300.0mm)	1.37" (34.9mm)	1.81" (46.0mm)
	Mid-size	4.87" (123.8mm)	12.18" (309.5mm)	1.56" (39.7mm)	1.81" (46.0mm)

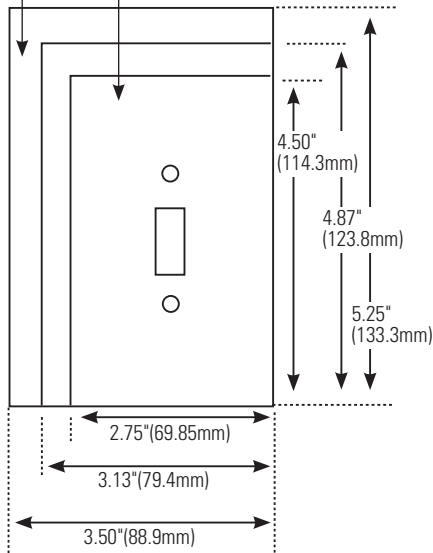
### Standard



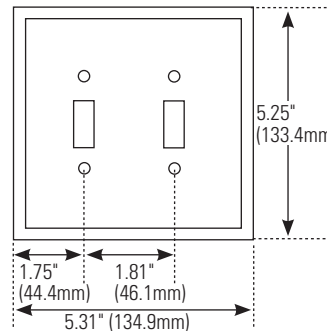
### Mid-size



### Oversize Mid-size Standard



### Oversize



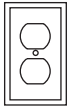
Compliances, specifications and availability are subject to change without notice.

www.eaton.com  
www.arrowhart.com

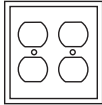
## Standard size wallplates duplex receptacle

### Product description

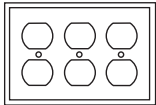
1-Gang, 2-Gang, 3-Gang



1-Gang





2-Gang



3-Gang

### Duplex receptacle

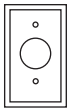
Gang	Material	Color suffix	Catalog no.	 
1-Gang	Nylon	A, B, BK, GY, LA, RD, V, W	□ 5132__	• •
	Thermoset	A, B, LA, V, W	□ 2132__	• •
	302/304 stainless steel	—	□ 93101	• •
	CuVerro® antimicrobial copper	CU, CUR	□ 93101__	• •
	Brass	—	□ 94101	• •
2-Gang	Nylon	A, B, BK, GY, LA, RD, V, W	□ 5150__	• •
	Thermoset	A, B, LA, V, W	□ 2150__	• •
	302/304 stainless steel	—	□ 93102	• •
	CuVerro® antimicrobial copper	CU, CUR	□ 93102__	• •
	Brass	—	□ 94102	• •
3-Gang	302/304 stainless steel	—	□ 93103	• •
	CuVerro® antimicrobial copper	CU, CUR	□ 93103__	• •

See additional CuVerro® wallplate information on K-22

## Standard size wallplates single receptacle



### Product description

1-Gang



1-Gang

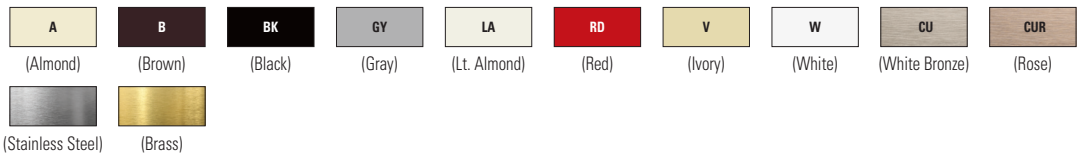
### Single receptacle

Gang	Material	Color suffix	Catalog no.	 
1-Gang with 1.406" (35.712mm) hole	Nylon	A, B, BK, GY, RD, V, W	□ 5131__	• •
	Thermoset	A, B, LA, V, W	□ 2131__	• •
	302/304 stainless steel	—	□ 93091	• •
	CuVerro® antimicrobial copper	CU, CUR	□ 93091__	• •
	Brass	—	□ 94091	• •

See additional CuVerro® wallplate information on K-22

### Color ordering information:

For ordering devices, include Catalog no. followed by the Color suffix: A (Almond), B (Brown), BK (Black), GY (Gray), LA (Light Almond), RD (Red), V (Ivory), W (White), CU (White Bronze) CuVerro® ONLY, CUR (Rose) CuVerro® ONLY



**Certification information:** 2000, 4000, 5000, ST & PJ series wallplates are cULus Listed; 93000 series wallplates are UL Listed and CSA Certified; 94000 series are UL Listed and CSA certified; CuVerro® series wallplates are only UL Listed. **Specification information:** K-22

**Compliances, specifications and availability are subject to change without notice.**

 Indicates NAFTA compliant - Page Q-30

 RoHS compliant - Page Q-30

## Wallplate specification & performance data

### Wallplates

#### Product description

Standard size, mid-size, oversize

	Wallplate sizes: standard size, mid-sized & oversize wallplates				CuVerro® Wallplate size: standard size
<b>Material type</b>	Thermoset	Nylon	Stainless steel	Polycarbonate	CuVerro® antimicrobial copper surfaces*
<b>Manufacturing process</b>	Injection molded	Injection molded	Stamped	Injection molded	Stamped
<b>Testing &amp; code compliance</b>	<ul style="list-style-type: none"> <li>UL Listed to UL 514D, file no. E33216</li> <li>cUL Listed to C22.2, no. 42.1, UL file E33216</li> </ul>	<ul style="list-style-type: none"> <li>UL Listed to UL 514D, file no. E33216</li> <li>cUL Listed to C22.2, no. 42.1, UL file E33216</li> </ul>	<ul style="list-style-type: none"> <li>UL Listed to 514D, file no. E92003</li> <li>CSA certified to C22.2, no. 42.1</li> </ul>	<ul style="list-style-type: none"> <li>UL Listed to UL 514D, file no. E33216</li> <li>cUL, UL file E33216 certified to C22.2, no. 42.1</li> </ul>	<ul style="list-style-type: none"> <li>UL Listed to UL514D, file no. E92003</li> <li>CSA certified to C22.2, no. 42.1</li> <li>CuVerro® antimicrobial copper EPA registration number 85353-5 (9000CUR series) and 85353-3 (9000CU series)</li> </ul>
<b>Environmental specifications</b>	<p><b>Flammability:</b> Meets UL94 requirements; 5VA rated</p> <p><b>Temperature rating:</b> -40°C to 90°C (-40°F to 194°F)</p>	<p><b>Flammability:</b> Meets UL94 requirements; 5VA rated</p> <p><b>Temperature rating:</b> -40°C to 70°C (-40°F to 158°F)</p>	<p><b>Flammability:</b> N/A</p> <p><b>Temperature rating:</b> -40°C to 70°C (-40°F to 158°F)</p>	<p><b>Flammability:</b> Meets UL94 requirements 5VA rated</p> <p><b>Temperature rating:</b> -40° to 70° C(-40°F to 158°F)</p>	<p><b>Flammability:</b> N/A</p> <p><b>Temperature rating:</b> -40°C to 70°C (-40°F to 158°F)</p>
<b>Materials</b>	<p><b>Body:</b> 0.080" thick thermoset urea or phenolic</p> <p><b>Inner wallplate:</b> N/A</p>	<p><b>Body:</b> 0.060" thick thermoplastic</p> <p><b>Inner wallplate:</b> N/A</p>	<p><b>Body:</b> 0.032" thick stainless steel alloy, 18% chromium and 8% nickel for corrosion resistance</p> <p><b>Inner wallplate:</b> N/A</p>	<p><b>Body:</b> 0.08" thick thermoplastic polycarbonate</p> <p><b>Inner wallplate:</b> 0.071" thick polycarbonate (PJS Series)</p>	<p><b>Body:</b> 0.040" thick CuVerro® antimicrobial copper alloy, 99.5% containing copper, nickel, iron, manganese, zinc, and 0.05% lead</p> <p><b>Inner wallplate:</b> N/A</p>

#### Footnote:

+Laboratory testing shows that, when cleaned regularly, CuVerro® antimicrobial copper surfaces kill greater than 99.9% of the following bacteria within 2 hours of exposure: MRSA, Staphylococcus aureus, Enterobacter aerogenes, Pseudomonas aeruginosa, and E. coli O157:H7. CuVerro® antimicrobial copper surfaces are a supplement to and not a substitute for standard infection control practices and have been shown to reduce microbial contamination, but do not necessarily prevent cross contamination; users must continue to follow all current infection control practices, including those practices related to cleaning and disinfection of environmental surfaces. CuVerro® is a registered trademark of GBC Metals, LLC and is used with permission, CW-0013-1207.

**Compliances, specifications and availability are subject to change without notice.**