

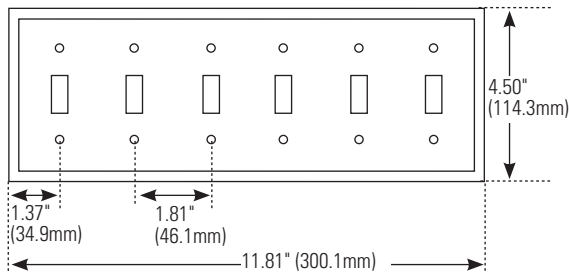
# Wallplate dimensional information



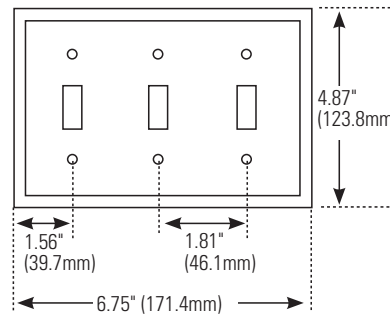
## Wallplate sizes

Gang	Description	Height	Width	First gang to edge	Gang to gang
1-Gang	Standard	4.50" (114.3mm)	2.75" (69.8mm)	1.37" (34.9mm)	—
	Mid-size	4.87" (123.8mm)	3.12" (79.4mm)	1.56" (39.7mm)	—
	Oversize	5.25" (133.3mm)	3.50" (88.9mm)	1.75" (44.4mm)	—
2-Gang	Standard	4.50" (114.3mm)	4.56" (115.9mm)	1.37" (34.9mm)	1.81" (46.0mm)
	Mid-size	4.87" (123.8mm)	4.94" (125.4mm)	1.56" (39.7mm)	1.81" (46.0mm)
	Oversize	5.25" (133.3mm)	5.31" (134.9mm)	1.75" (44.4mm)	1.81" (46.0mm)
3-Gang	Standard	4.50" (114.3mm)	6.37" (161.9mm)	1.37" (34.9mm)	1.81" (46.0mm)
	Mid-size	4.87" (123.8mm)	6.75" (171.4mm)	1.56" (39.7mm)	1.81" (46.0mm)
	Oversize	5.25" (133.3mm)	7.17" (182.2mm)	1.75" (44.4mm)	1.81" (46.0mm)
4-Gang	Standard	4.50" (114.3mm)	8.19" (207.9mm)	1.37" (34.9mm)	1.81" (46.0mm)
	Mid-size	4.87" (123.8mm)	8.56" (217.5mm)	1.56" (39.7mm)	1.81" (46.0mm)
	Oversize	5.25" (133.3mm)	8.94" (227.0mm)	1.75" (44.4mm)	1.81" (46.0mm)
5-Gang	Standard	4.50" (114.3mm)	10.00" (254.0mm)	1.37" (34.9mm)	1.81" (46.0mm)
	Mid-size	4.87" (123.8mm)	10.37" (263.5mm)	1.56" (39.7mm)	1.81" (46.0mm)
6-Gang	Standard	4.50" (114.3mm)	11.81" (300.0mm)	1.37" (34.9mm)	1.81" (46.0mm)
	Mid-size	4.87" (123.8mm)	12.18" (309.5mm)	1.56" (39.7mm)	1.81" (46.0mm)

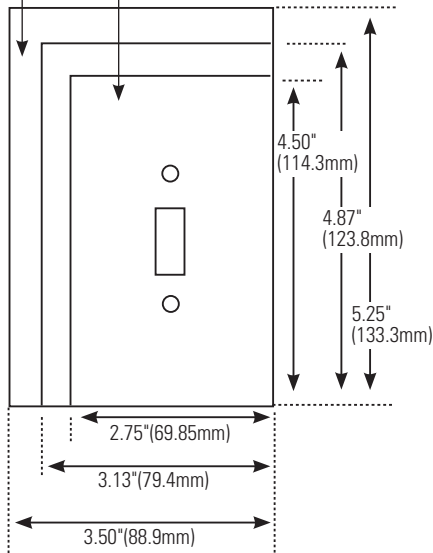
### Standard



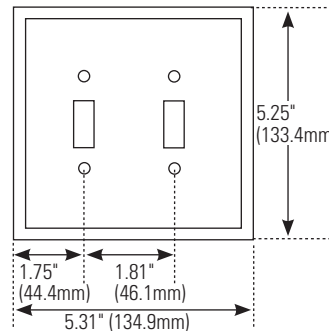
### Mid-size



### Oversize Mid-size Standard



### Oversize



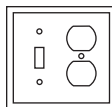
Compliances, specifications and availability are subject to change without notice.

www.eaton.com  
www.arrowhart.com

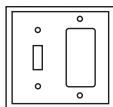
## Mid-size combination wallplates

### Product description

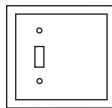
2-Gang, 3-Gang



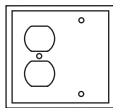
2-Gang toggle & duplex receptacle



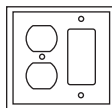
2-Gang, toggle & decorator



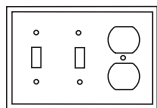
2-Gang toggle & blank



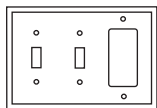
2-Gang duplex receptacle & blank



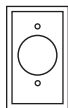
2-Gang, duplex receptacle & decorator



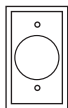
3-Gang, 2 toggles & duplex receptacle



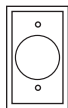
3-Gang, 2 toggles & decorator



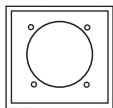
1-Gang 1.406" hole



1-Gang 1.594" hole



1-Gang with 2.1563" hole



2-Gang with 2.1563" hole

### Combination 2-gang

Description	Material	Color suffix	Catalog no.	
Toggle & duplex receptacle	Polycarbonate	A, B, BK, GY, LA, RD, V, W	□ PJ18__	•
	Thermoset	A, B, LA, V, W	□ 2038__	• •
	302/304 stainless steel	—	□ 93932	• •
Toggle & decorator	Polycarbonate	A, B, BK, GY, LA, V, W	□ PJ126__	•
	Thermoset	A, LA, V, W	□ 2053__	• •
	302/304 stainless steel	—	□ 93937	• •
Toggle & blank	Polycarbonate	A, B, LA, V, W	□ PJ113__	•
Duplex receptacle & blank	Polycarbonate	A, B, BK, GY, LA, RD, V, W	□ PJ138__	•
Duplex receptacle & decorator	Polycarbonate	A, B, BK, GY, LA, RD, V, W	□ PJ826__	•

### Combination 3-gang

Description	Material	Color suffix	Catalog no.	
2 Toggles & duplex receptacle	Polycarbonate	A, B, BK, GY, LA, RD, V, W	□ PJ28__	•
2 Toggles & decorator	Polycarbonate	A, B, BK, GY, LA, V, W	□ PJ226__	•

## Mid-size power outlets

### Product description

1-Gang, 2-Gang

### Power outlet

Description	Material	Color suffix	Catalog no.	
1-Gang with 1.40" (35.7mm) hole	Polycarbonate	A, B, BK, GY, LA, RD, V, W	□ PJ7__	•
1-Gang with 1.59" (40.5mm) hole	Polycarbonate	B, GY, V, W	□ PJ720__	•
1-Gang with 2.15" (54.7mm) hole	Polycarbonate	B, BK, V, W	□ PJ724__	•
	Nylon	V	□ 5068__	• •
	Thermoset	A, B, V, W	□ 2068__	• •
2-Gang with 2.15" (54.7mm) hole	Polycarbonate	B, V, W	□ PJ703__	•

## Mid-size wallplate guide

### Product description

Power devices

### Mid-size wallplate guide for power devices

Power device catalog no.	Wallplate catalog no.
32B, 38B, 1233, 1234, 1253, 1254, 1257, 1258, 1263, 5700N, 5709N, 5716N, 5795N, 7985N	2068, 5068, PJ724, PJ703

### Color ordering information:

For ordering devices, include Catalog no. followed by the Color suffix: A (Almond), B (Brown), BK (Black), GY (Gray), LA (Light Almond), RD (Red), V (Ivory), W (White)



**Certification information:** 2000, 4000, 5000, ST & PJ series wallplates are cULus Listed; 93000 series wallplates are UL Listed and CSA Certified; 94000 series wallplates are UL Listed and CSA certified. **Specification information:** K-22

**Compliances, specifications and availability are subject to change without notice.**

Indicates NAFTA compliant - Page Q-30

RoHS compliant - Page Q-30

# Wallplate specification & performance data

## Wallplates

### Product description

Standard size, mid-size, oversize

	Wallplate sizes: standard size, mid-sized & oversize wallplates				CuVerro® Wallplate size: standard size
<b>Material type</b>	Thermoset	Nylon	Stainless steel	Polycarbonate	CuVerro® antimicrobial copper surfaces*
<b>Manufacturing process</b>	Injection molded	Injection molded	Stamped	Injection molded	Stamped
<b>Testing &amp; code compliance</b>	<ul style="list-style-type: none"> <li>UL Listed to UL 514D, file no. E33216</li> <li>cUL Listed to C22.2, no. 42.1, UL file E33216</li> </ul>	<ul style="list-style-type: none"> <li>UL Listed to UL 514D, file no. E33216</li> <li>cUL Listed to C22.2, no. 42.1, UL file E33216</li> </ul>	<ul style="list-style-type: none"> <li>UL Listed to 514D, file no. E92003</li> <li>CSA certified to C22.2, no. 42.1</li> </ul>	<ul style="list-style-type: none"> <li>UL Listed to UL 514D, file no. E33216</li> <li>cUL, UL file E33216 certified to C22.2, no. 42.1</li> </ul>	<ul style="list-style-type: none"> <li>UL Listed to UL514D, file no. E92003</li> <li>CSA certified to C22.2, no. 42.1</li> <li>CuVerro® antimicrobial copper EPA registration number 85353-5 (9000CUR series) and 85353-3 (9000CU series)</li> </ul>
<b>Environmental specifications</b>	<p><b>Flammability:</b> Meets UL94 requirements; 5VA rated</p> <p><b>Temperature rating:</b> -40°C to 90°C (-40°F to 194°F)</p>	<p><b>Flammability:</b> Meets UL94 requirements; 5VA rated</p> <p><b>Temperature rating:</b> -40°C to 70°C (-40°F to 158°F)</p>	<p><b>Flammability:</b> N/A</p> <p><b>Temperature rating:</b> -40°C to 70°C (-40°F to 158°F)</p>	<p><b>Flammability:</b> Meets UL94 requirements 5VA rated</p> <p><b>Temperature rating:</b> -40° to 70° C(-40°F to 158°F)</p>	<p><b>Flammability:</b> N/A</p> <p><b>Temperature rating:</b> -40°C to 70°C (-40°F to 158°F)</p>
<b>Materials</b>	<p><b>Body:</b> 0.080" thick thermoset urea or phenolic</p> <p><b>Inner wallplate:</b> N/A</p>	<p><b>Body:</b> 0.060" thick thermoplastic</p> <p><b>Inner wallplate:</b> N/A</p>	<p><b>Body:</b> 0.032" thick stainless steel alloy, 18% chromium and 8% nickel for corrosion resistance</p> <p><b>Inner wallplate:</b> N/A</p>	<p><b>Body:</b> 0.08" thick thermoplastic polycarbonate</p> <p><b>Inner wallplate:</b> 0.071" thick polycarbonate (PJS Series)</p>	<p><b>Body:</b> 0.040" thick CuVerro® antimicrobial copper alloy, 99.5% containing copper, nickel, iron, manganese, zinc, and 0.05% lead</p> <p><b>Inner wallplate:</b> N/A</p>

**Footnote:**

+Laboratory testing shows that, when cleaned regularly, CuVerro® antimicrobial copper surfaces kill greater than 99.9% of the following bacteria within 2 hours of exposure: MRSA, Staphylococcus aureus, Enterobacter aerogenes, Pseudomonas aeruginosa, and E. coli O157:H7. CuVerro® antimicrobial copper surfaces are a supplement to and not a substitute for standard infection control practices and have been shown to reduce microbial contamination, but do not necessarily prevent cross contamination; users must continue to follow all current infection control practices, including those practices related to cleaning and disinfection of environmental surfaces. CuVerro® is a registered trademark of GBC Metals, LLC and is used with permission, CW-0013-1207.

**Compliances, specifications and availability are subject to change without notice.**

