

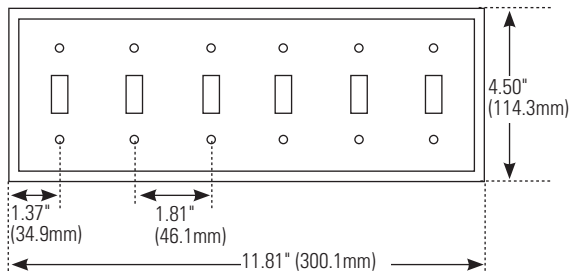
Wallplate dimensional information



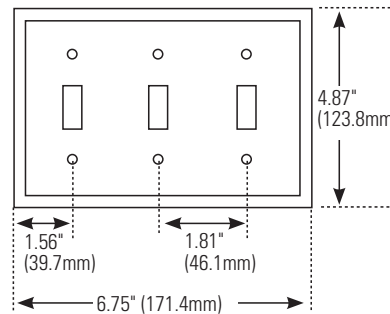
Wallplate sizes

Gang	Description	Height	Width	First gang to edge	Gang to gang
1-Gang	Standard	4.50" (114.3mm)	2.75" (69.8mm)	1.37" (34.9mm)	—
	Mid-size	4.87" (123.8mm)	3.12" (79.4mm)	1.56" (39.7mm)	—
	Oversize	5.25" (133.3mm)	3.50" (88.9mm)	1.75" (44.4mm)	—
2-Gang	Standard	4.50" (114.3mm)	4.56" (115.9mm)	1.37" (34.9mm)	1.81" (46.0mm)
	Mid-size	4.87" (123.8mm)	4.94" (125.4mm)	1.56" (39.7mm)	1.81" (46.0mm)
	Oversize	5.25" (133.3mm)	5.31" (134.9mm)	1.75" (44.4mm)	1.81" (46.0mm)
3-Gang	Standard	4.50" (114.3mm)	6.37" (161.9mm)	1.37" (34.9mm)	1.81" (46.0mm)
	Mid-size	4.87" (123.8mm)	6.75" (171.4mm)	1.56" (39.7mm)	1.81" (46.0mm)
	Oversize	5.25" (133.3mm)	7.17" (182.2mm)	1.75" (44.4mm)	1.81" (46.0mm)
4-Gang	Standard	4.50" (114.3mm)	8.19" (207.9mm)	1.37" (34.9mm)	1.81" (46.0mm)
	Mid-size	4.87" (123.8mm)	8.56" (217.5mm)	1.56" (39.7mm)	1.81" (46.0mm)
	Oversize	5.25" (133.3mm)	8.94" (227.0mm)	1.75" (44.4mm)	1.81" (46.0mm)
5-Gang	Standard	4.50" (114.3mm)	10.00" (254.0mm)	1.37" (34.9mm)	1.81" (46.0mm)
	Mid-size	4.87" (123.8mm)	10.37" (263.5mm)	1.56" (39.7mm)	1.81" (46.0mm)
6-Gang	Standard	4.50" (114.3mm)	11.81" (300.0mm)	1.37" (34.9mm)	1.81" (46.0mm)
	Mid-size	4.87" (123.8mm)	12.18" (309.5mm)	1.56" (39.7mm)	1.81" (46.0mm)

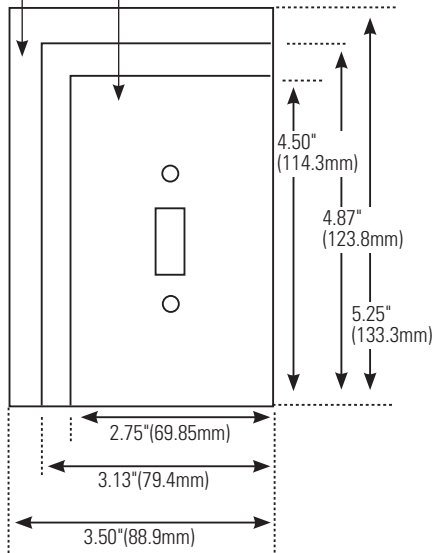
Standard



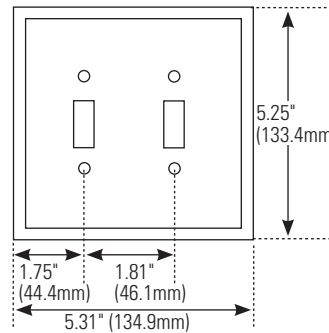
Mid-size



Oversize Mid-size Standard



Oversize



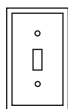
Compliances, specifications and availability are subject to change without notice.

www.eaton.com
www.arrowhart.com

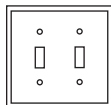
Mid-size wallplates toggle switch

Product description

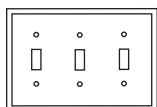
1-Gang, 2-Gang, 3-Gang, 4-Gang, 5-Gang, 6-Gang



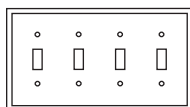
1-Gang



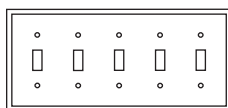
2-Gang



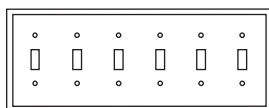
3-Gang



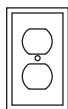
4-Gang



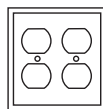
5-Gang



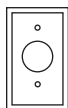
6-Gang



1-Gang



2-Gang



1-Gang

Toggle switch

Gang	Material	Color suffix	Catalog no.	
1-Gang	Polycarbonate	A, B, BK, GY, LA, RD, V, W	□ PJ1__	•
	Thermoset	A, B, LA, V, W	□ 2034__	• •
	302/304 stainless steel	—	□ 93971	• •
2-Gang	Polycarbonate	A, B, BK, GY, LA, RD, V, W	□ PJ2__	•
	Thermoset	A, B, LA, V, W	□ 2039__	• •
	302/304 stainless steel	—	□ 93972	• •
3-Gang	Polycarbonate	A, B, BK, GY, LA, RD, V, W	□ PJ3__	•
	Thermoset	A, B, LA, V, W	□ 2041__	• •
	302/304 stainless steel	—	□ 93973	• •
4-Gang	Polycarbonate	A, B, BK, GY, LA, V, W	□ PJ4__	•
	Thermoset	A, LA, V, W	□ 2054__	• •
5-Gang	Polycarbonate	A, B, BK, GY, LA, V, W	□ PJ5__	•
6-Gang	Polycarbonate	A, B, BK, GY, LA, V, W	□ PJ6__	•

Mid-size wallplates duplex & single receptacle

Product description

1-Gang, 2-Gang

Duplex receptacle

Gang	Material	Color suffix	Catalog no.	
1-Gang	Polycarbonate	A, B, BK, GY, LA, RD, V, W	□ PJ8__	•
	Thermoset	A, B, LA, V, W	□ 2032__	• •
	302/304 stainless steel	—	□ 93901	• •
2-Gang	Polycarbonate	A, B, BK, GY, LA, RD, V, W	□ PJ82__	•
	Thermoset	A, LA, V, W	□ 2050__	• •
	302/304 stainless steel	—	□ 93902	• •

Single receptacle

Gang	Material	Color suffix	Catalog no.	
1-Gang with 1.406" (35.712mm) hole	Thermoset	A, B, LA, V, W	□ 2031__	• •
	302/304 stainless steel	—	□ 93991	• •

Color ordering information:

For ordering devices, include Catalog no. followed by the Color suffix: A (Almond), B (Brown), BK (Black), GY (Gray), LA (Light Almond), RD (Red), V (Ivory), W (White)



Certification information: 2000, 4000, 5000, ST & PJ series wallplates are cULus Listed; 93000 series wallplates are UL Listed and CSA Certified; 94000 series wallplates are UL Listed and CSA certified. **Specification information:** K-22

Compliances, specifications and availability are subject to change without notice.

Indicates NAFTA compliant - Page Q-30

RoHS compliant - Page Q-30

Wallplate specification & performance data

Wallplates

Product description

Standard size, mid-size, oversize

	Wallplate sizes: standard size, mid-sized & oversize wallplates				CuVerro® Wallplate size: standard size
Material type	Thermoset	Nylon	Stainless steel	Polycarbonate	CuVerro® antimicrobial copper surfaces*
Manufacturing process	Injection molded	Injection molded	Stamped	Injection molded	Stamped
Testing & code compliance	<ul style="list-style-type: none"> UL Listed to UL 514D, file no. E33216 cUL Listed to C22.2, no. 42.1, UL file E33216 	<ul style="list-style-type: none"> UL Listed to UL 514D, file no. E33216 cUL Listed to C22.2, no. 42.1, UL file E33216 	<ul style="list-style-type: none"> UL Listed to 514D, file no. E92003 CSA certified to C22.2, no. 42.1 	<ul style="list-style-type: none"> UL Listed to UL 514D, file no. E33216 cUL, UL file E33216 certified to C22.2, no. 42.1 	<ul style="list-style-type: none"> UL Listed to UL514D, file no. E92003 CSA certified to C22.2, no. 42.1 CuVerro® antimicrobial copper EPA registration number 85353-5 (9000CUR series) and 85353-3 (9000CU series)
Environmental specifications	<p>Flammability: Meets UL94 requirements; 5VA rated</p> <p>Temperature rating: -40°C to 90°C (-40°F to 194°F)</p>	<p>Flammability: Meets UL94 requirements; 5VA rated</p> <p>Temperature rating: -40°C to 70°C (-40°F to 158°F)</p>	<p>Flammability: N/A</p> <p>Temperature rating: -40°C to 70°C (-40°F to 158°F)</p>	<p>Flammability: Meets UL94 requirements 5VA rated</p> <p>Temperature rating: -40° to 70° C(-40°F to 158°F)</p>	<p>Flammability: N/A</p> <p>Temperature rating: -40°C to 70°C (-40°F to 158°F)</p>
Materials	<p>Body: 0.080" thick thermoset urea or phenolic</p> <p>Inner wallplate: N/A</p>	<p>Body: 0.060" thick thermoplastic</p> <p>Inner wallplate: N/A</p>	<p>Body: 0.032" thick stainless steel alloy, 18% chromium and 8% nickel for corrosion resistance</p> <p>Inner wallplate: N/A</p>	<p>Body: 0.08" thick thermoplastic polycarbonate</p> <p>Inner wallplate: 0.071" thick polycarbonate (PJS Series)</p>	<p>Body: 0.040" thick CuVerro® antimicrobial copper alloy, 99.5% containing copper, nickel, iron, manganese, zinc, and 0.05% lead</p> <p>Inner wallplate: N/A</p>

Footnote:

+Laboratory testing shows that, when cleaned regularly, CuVerro® antimicrobial copper surfaces kill greater than 99.9% of the following bacteria within 2 hours of exposure: MRSA, Staphylococcus aureus, Enterobacter aerogenes, Pseudomonas aeruginosa, and E. coli O157:H7. CuVerro® antimicrobial copper surfaces are a supplement to and not a substitute for standard infection control practices and have been shown to reduce microbial contamination, but do not necessarily prevent cross contamination; users must continue to follow all current infection control practices, including those practices related to cleaning and disinfection of environmental surfaces. CuVerro® is a registered trademark of GBC Metals, LLC and is used with permission, CW-0013-1207.

Compliances, specifications and availability are subject to change without notice.

