

Wallplate families

Rugged design and quality materials make Arrow Hart wallplates the best choice

Whether faced with a commercial, institutional or industrial setting, you will find the desired material, configuration, style, size and color you need



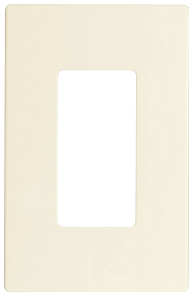
Standard size
Wallplates for precision cuts



Mid-size and oversize
Wallplates for applications that require additional wall coverage



Extra depth
Wallplates to provide a flush fit to the wall when an old work outlet box is used



Specification grade thermoplastic

- Available in both nylon and polycarbonate constructions
- Virtually unbreakable plates reduce installation and replacement costs
- Preferred for industrial, institutional, and other high-traffic areas
- Exclusive time-saving screw catch feature holds mounting screws captive and simplifies installation
- High gloss finish is soil-resistant
- Available in standard size and mid-size configurations with screwless and pre-marked special use versions available



Specification grade metal wallplates

- Constructed of non-corrosive 302/304 stainless steel, brass or chrome
- Available in standard, mid-size, and oversize configurations with pre-marked special use versions available
- 302/304 Stainless is non-magnetic and non-corrosive for rugged durability
- Solid brass is coated with transparent lacquer to resist premature oxidation
- Shipped with removable protective film
- Recommended for industrial, institutional and commercial applications

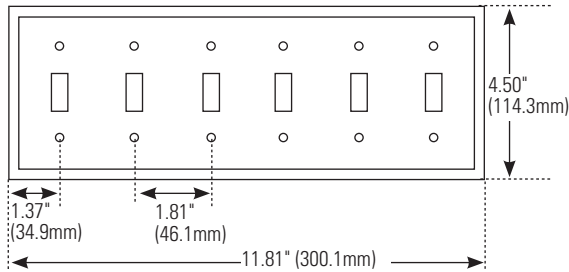
Wallplate dimensional information



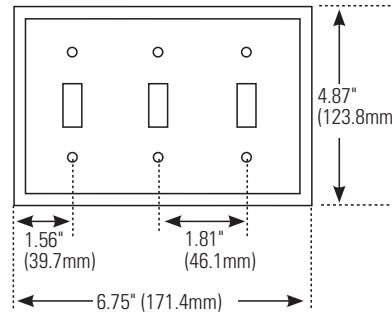
Wallplate sizes

Gang	Description	Height	Width	First gang to edge	Gang to gang
1-Gang	Standard	4.50" (114.3mm)	2.75" (69.8mm)	1.37" (34.9mm)	—
	Mid-size	4.87" (123.8mm)	3.12" (79.4mm)	1.56" (39.7mm)	—
	Oversize	5.25" (133.3mm)	3.50" (88.9mm)	1.75" (44.4mm)	—
2-Gang	Standard	4.50" (114.3mm)	4.56" (115.9mm)	1.37" (34.9mm)	1.81" (46.0mm)
	Mid-size	4.87" (123.8mm)	4.94" (125.4mm)	1.56" (39.7mm)	1.81" (46.0mm)
	Oversize	5.25" (133.3mm)	5.31" (134.9mm)	1.75" (44.4mm)	1.81" (46.0mm)
3-Gang	Standard	4.50" (114.3mm)	6.37" (161.9mm)	1.37" (34.9mm)	1.81" (46.0mm)
	Mid-size	4.87" (123.8mm)	6.75" (171.4mm)	1.56" (39.7mm)	1.81" (46.0mm)
	Oversize	5.25" (133.3mm)	7.17" (182.2mm)	1.75" (44.4mm)	1.81" (46.0mm)
4-Gang	Standard	4.50" (114.3mm)	8.19" (207.9mm)	1.37" (34.9mm)	1.81" (46.0mm)
	Mid-size	4.87" (123.8mm)	8.56" (217.5mm)	1.56" (39.7mm)	1.81" (46.0mm)
	Oversize	5.25" (133.3mm)	8.94" (227.0mm)	1.75" (44.4mm)	1.81" (46.0mm)
5-Gang	Standard	4.50" (114.3mm)	10.00" (254.0mm)	1.37" (34.9mm)	1.81" (46.0mm)
	Mid-size	4.87" (123.8mm)	10.37" (263.5mm)	1.56" (39.7mm)	1.81" (46.0mm)
6-Gang	Standard	4.50" (114.3mm)	11.81" (300.0mm)	1.37" (34.9mm)	1.81" (46.0mm)
	Mid-size	4.87" (123.8mm)	12.18" (309.5mm)	1.56" (39.7mm)	1.81" (46.0mm)

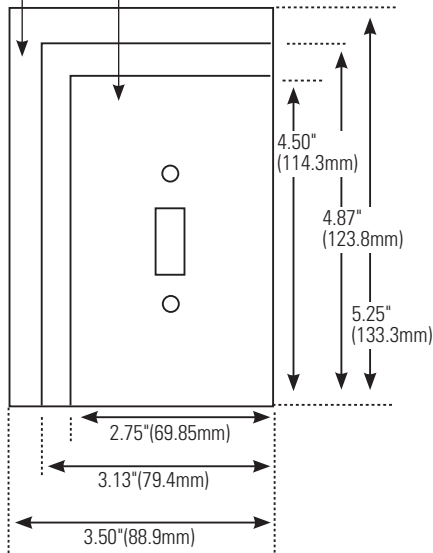
Standard



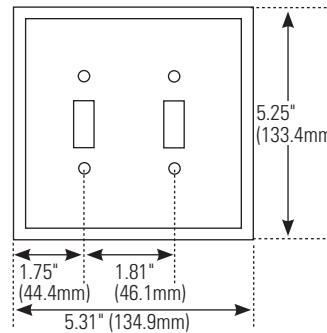
Mid-size



Oversize Mid-size Standard



Oversize



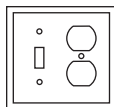
Compliances, specifications and availability are subject to change without notice.

www.eaton.com
www.arrowhart.com

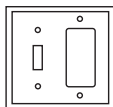
Mid-size combination wallplates

Product description

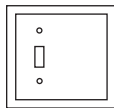
2-Gang, 3-Gang



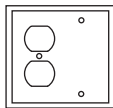
2-Gang toggle & duplex receptacle



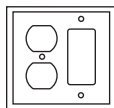
2-Gang, toggle & decorator



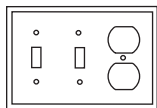
2-Gang toggle & blank



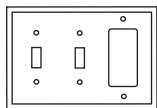
2-Gang duplex receptacle & blank



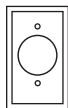
2-Gang, duplex receptacle & decorator



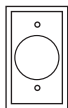
3-Gang, 2 toggles & duplex receptacle



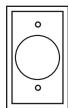
3-Gang, 2 toggles & decorator



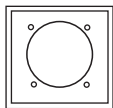
1-Gang 1.406" hole



1-Gang 1.594" hole



1-Gang with 2.1563" hole



2-Gang with 2.1563" hole

Combination 2-gang

Description	Material	Color suffix	Catalog no.		
Toggle & duplex receptacle	Polycarbonate	A, B, BK, GY, LA, RD, V, W	□ PJ18__	•	
	Thermoset	A, B, LA, V, W	□ 2038__	•	•
	302/304 stainless steel	—	□ 93932	•	•
Toggle & decorator	Polycarbonate	A, B, BK, GY, LA, V, W	□ PJ126__	•	
	Thermoset	A, LA, V, W	□ 2053__	•	•
	302/304 stainless steel	—	□ 93937	•	•
Toggle & blank	Polycarbonate	A, B, LA, V, W	□ PJ113__	•	
Duplex receptacle & blank	Polycarbonate	A, B, BK, GY, LA, RD, V, W	□ PJ138__	•	
Duplex receptacle & decorator	Polycarbonate	A, B, BK, GY, LA, RD, V, W	□ PJ826__	•	

Combination 3-gang

Description	Material	Color suffix	Catalog no.		
2 Toggles & duplex receptacle	Polycarbonate	A, B, BK, GY, LA, RD, V, W	□ PJ28__	•	
2 Toggles & decorator	Polycarbonate	A, B, BK, GY, LA, V, W	□ PJ226__	•	

Mid-size power outlets

Product description

1-Gang, 2-Gang

Power outlet

Description	Material	Color suffix	Catalog no.		
1-Gang with 1.40" (35.7mm) hole	Polycarbonate	A, B, BK, GY, LA, RD, V, W	□ PJ7__	•	
1-Gang with 1.59" (40.5mm) hole	Polycarbonate	B, GY, V, W	□ PJ720__	•	
1-Gang with 2.15" (54.7mm) hole	Polycarbonate	B, BK, V, W	□ PJ724__	•	
	Nylon	V	□ 5068__	•	•
	Thermoset	A, B, V, W	□ 2068__	•	•
2-Gang with 2.15" (54.7mm) hole	Polycarbonate	B, V, W	□ PJ703__	•	

Mid-size wallplate guide

Product description

Power devices

Mid-size wallplate guide for power devices

Power device catalog no.	Wallplate catalog no.
32B, 38B, 1233, 1234, 1253, 1254, 1257, 1258, 1263, 5700N, 5709N, 5716N, 5795N, 7985N	2068, 5068, PJ724, PJ703

Color ordering information:

For ordering devices, include Catalog no. followed by the Color suffix: A (Almond), B (Brown), BK (Black), GY (Gray), LA (Light Almond), RD (Red), V (Ivory), W (White)



Certification information: 2000, 4000, 5000, ST & PJ series wallplates are cULus Listed; 93000 series wallplates are UL Listed and CSA Certified; 94000 series wallplates are UL Listed and CSA certified. **Specification information:** K-22

Compliances, specifications and availability are subject to change without notice.

Indicates NAFTA compliant - Page Q-30

RoHS compliant - Page Q-30

Wallplate specification & performance data

Wallplates

Product description

Standard size, mid-size, oversize

	Wallplate sizes: standard size, mid-sized & oversize wallplates				CuVerro® Wallplate size: standard size
Material type	Thermoset	Nylon	Stainless steel	Polycarbonate	CuVerro® antimicrobial copper surfaces*
Manufacturing process	Injection molded	Injection molded	Stamped	Injection molded	Stamped
Testing & code compliance	<ul style="list-style-type: none"> • UL Listed to UL 514D, file no. E33216 • cUL Listed to C22.2, no. 42.1, UL file E33216 	<ul style="list-style-type: none"> • UL Listed to UL 514D, file no. E33216 • cUL Listed to C22.2, no. 42.1, UL file E33216 	<ul style="list-style-type: none"> • UL Listed to 514D, file no. E92003 • CSA certified to C22.2, no. 42.1 	<ul style="list-style-type: none"> • UL Listed to UL 514D, file no. E33216 • cUL, UL file E33216 certified to C22.2, no. 42.1 	<ul style="list-style-type: none"> • UL Listed to UL514D, file no. E92003 • CSA certified to C22.2, no. 42.1 • CuVerro® antimicrobial copper EPA registration number 85353-5 (9000CUR series) and 85353-3 (9000CU series)
Environmental specifications	<p>Flammability: Meets UL94 requirements; 5VA rated</p> <p>Temperature rating: -40°C to 90°C (-40°F to 194°F)</p>	<p>Flammability: Meets UL94 requirements; 5VA rated</p> <p>Temperature rating: -40°C to 70°C (-40°F to 158°F)</p>	<p>Flammability: N/A</p> <p>Temperature rating: -40°C to 70°C (-40°F to 158°F)</p>	<p>Flammability: Meets UL94 requirements 5VA rated</p> <p>Temperature rating: -40° to 70° C(-40°F to 158°F)</p>	<p>Flammability: N/A</p> <p>Temperature rating: -40°C to 70°C (-40°F to 158°F)</p>
Materials	<p>Body: 0.080" thick thermoset urea or phenolic</p> <p>Inner wallplate: N/A</p>	<p>Body: 0.060" thick thermoplastic</p> <p>Inner wallplate: N/A</p>	<p>Body: 0.032" thick stainless steel alloy, 18% chromium and 8% nickel for corrosion resistance</p> <p>Inner wallplate: N/A</p>	<p>Body: 0.08" thick thermoplastic polycarbonate</p> <p>Inner wallplate: 0.071" thick polycarbonate (PJS Series)</p>	<p>Body: 0.040" thick CuVerro® antimicrobial copper alloy, 99.5% containing copper, nickel, iron, manganese, zinc, and 0.05% lead</p> <p>Inner wallplate: N/A</p>

Footnote:

+Laboratory testing shows that, when cleaned regularly, CuVerro® antimicrobial copper surfaces kill greater than 99.9% of the following bacteria within 2 hours of exposure: MRSA, Staphylococcus aureus, Enterobacter aerogenes, Pseudomonas aeruginosa, and E. coli O157:H7. CuVerro® antimicrobial copper surfaces are a supplement to and not a substitute for standard infection control practices and have been shown to reduce microbial contamination, but do not necessarily prevent cross contamination; users must continue to follow all current infection control practices, including those practices related to cleaning and disinfection of environmental surfaces. CuVerro® is a registered trademark of GBC Metals, LLC and is used with permission, CW-0013-1207.

Compliances, specifications and availability are subject to change without notice.

