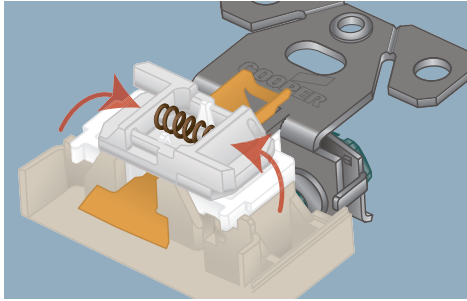
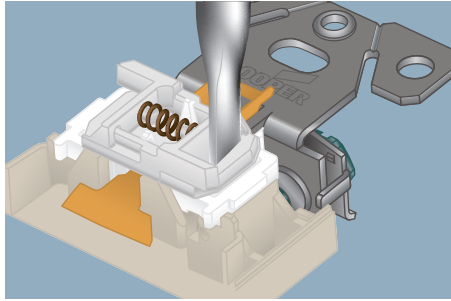


Tamper resistant, weather resistant, and tamper & weather resistant receptacles

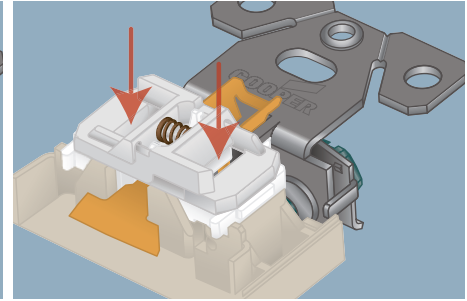
How the tamper resistant system works:



Shutters restrict access in closed position.



Insertion of object in any one side will not open shutters.



Insertion of two-bladed plug or grounding plug will open shutters.



"TR" mold mark provides quick visual confirmation of tamper resistance when installed.



"WR" identifier quickly indicates during inspections that a weather resistant receptacle has been installed.



Both the "TR" mold mark and "WR" identifier are clearly visible in the finished installation, indicating double-layer protection for maximum safety.

A) 2014 NEC – 517.18 (C) Pediatric locations

Receptacles located within the rooms, bathrooms, playrooms, activity rooms and patient care areas of pediatric wards shall be listed under tamper resistant or employ a listed tamper resistant cover.

B) 2014 NEC – 406.12 (B) TR for guest rooms and guest suites

All nonlocking type, 125V, 15- and 20-amp receptacles located in guest rooms and guest suites shall be listed tamper resistant receptacles.

C) 2014 NEC – 406.9 (A) (B) Receptacles in damp or wet locations

All 15- and 20-amp, 125- and 250-volt non-locking receptacles installed in wet or damp locations shall be weather resistant receptacles.

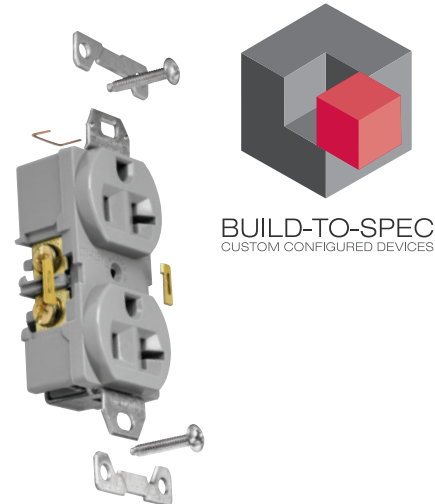
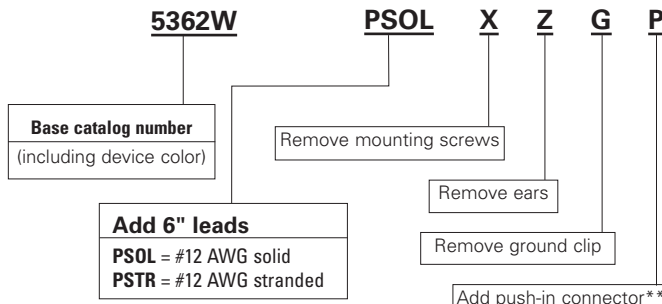
Build-to-spec

For receptacles, switches, GFCIs & TVSS devices

Modified at the factory to improve efficiency and speed production at the job site. Arrow Hart's build-to-spec program provides customized device solutions to simplify your project and maximize your bottom line.

Build-to-spec sample number:
5362W

Note:
Arrow Hart 20A 125V NEMA 5-20 blue SPD surge protection receptacle, with wire leads and push-in connectors, without mounting screws, ears, or grounding clip.



**For use with leaded devices only. Add "PSOL" to back of device catalog number for 6" of #12 AWG solid or "PSTR" for 6" of #12 AWG stranded. (Example: 8300BLSPSOL + build to spec options).

All devices are bulk packed 50 pieces per carton. Minimum order quantity is 100 pieces. Orders under 500 pieces ship within 5 days with larger quantities typically within 10 days.

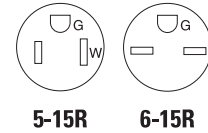
Compliances, specifications and availability are subject to change without notice.

Commercial grade receptacles

Commercial grade straight blade receptacles

Product description

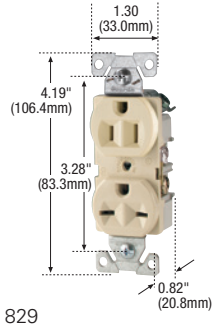
2-pole, 3-wire grounding
Dual voltage
15A, 125/250V/AC
NEMA 5-15R, 6-15R



Dual voltage commercial grade receptacle



Rating		NEMA	Description	Color	Catalog no.	
A	V/AC					
15	125/ 250	5-15R/ 6-15R	Dual voltage duplex receptacle, side wire	V	□ 829V	

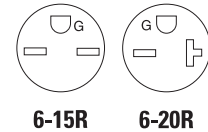


829

Commercial grade straight blade receptacles

Product description

2-pole, 3-wire grounding
15A, 250V/AC
20A, 250V/AC
NEMA 6-15R, 6-20R

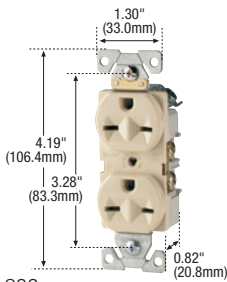


Commercial grade receptacles



Rating		NEMA	Description	Color suffix	Catalog no.			
A	V/AC							
15	250	6-15R	Duplex receptacle, side wire	B, V, W	□ 826_Δ			
			Single receptacle, side wire	B, V, W	□ 816_			
20	250	6-20R	Duplex receptacle, side wire	B, V, W	□ 815_Δ			
			Single receptacle, side wire	A, B, BK, LA, V, W	□ 1876_			

^ΔcULus & Fed Spec certified

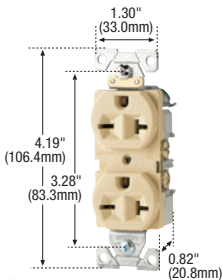


826

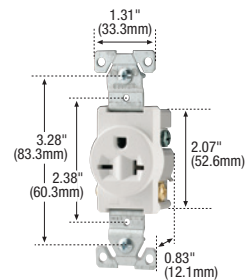
Decorator commercial grade receptacle



Rating		NEMA	Description	Color	Catalog no.			
A	V/AC							
20	250	6-20R	Single receptacle, side wire	W	□ 6450W			



815



1876

Color ordering information:

For ordering devices, include Catalog no. followed by the Color suffix: A (Almond), B (Brown), BK (Black), LA (Light Almond), V (Ivory), W (White)



Specification information: Commercial receptacles: A-38

Compliances, specifications and availability are subject to change without notice.

Build-to-spec customizable devices - Page A-6

Indicates NAFTA compliant - Page Q-30

RoHS compliant - Page Q-30

Commercial grade receptacles specification & performance data

Commercial grade receptacles

Product description

2-pole, 3-wire grounding
15A, 125V/AC;
20A, 125V/AC
NEMA 5-15, 5-20

Device type	Commercial grade duplex and decorator duplex receptacles: BR, 6200, 6300, 6400 series	Commercial grade duplex receptacles CR series	Commercial grade single receptacles: 800, 1800 series	Snap-in receptacles: 49, 67, 4049, 4067, 4070 series
Wiring type	Back & side wire, except 6250, 6350, 6450 series	Side wire only	Side wire only	Wire leads & quick connect
Testing & code compliance	<ul style="list-style-type: none"> cULus Listed to UL498, file no. E15058 BR series only: UL verified to Fed Spec. WC-596G CSA certified to 22.2, no 42, file no. 6914 (6233-01) NOM/ANSI certified 	<ul style="list-style-type: none"> cULus Listed to UL498 file no. E15058 UL verified to Fed Spec WC-596G NOM certified 	<ul style="list-style-type: none"> Listed to UL498, file no. E15058 CSA certified to 22.2, no 42, file no. 6914 (6233-01) NOM/ANSI certified 	<ul style="list-style-type: none"> UR (UL Recognized) CSA certified to C22.2, no. 42, file no. 6914 (6233-01) NOM certified
Environmental specifications	<p>Flammability: Meets UL94 requirements; V2 rated</p> <p>Temperature rating: -20°C to 70°C (-4°F to 158°F)</p>	<p>Flammability: Meets UL94 requirements; V2 rated</p> <p>Temperature rating: -20°C to 60°C (-4°F to 140°F)</p>	<p>Flammability: Meets UL94 requirements; V2 rated</p> <p>Temperature rating: -20°C to 70°C (-4°F to 158°F)</p>	<p>Flammability: Meets UL94 requirements; V2 rated</p> <p>Temperature rating: -20°C to 70°C (-4°F to 158°F)</p>
Electrical specifications	<p>Dielectric voltage: Withstands 2000V per UL498</p> <p>Current interrupting: Yes, at full-rated current</p> <p>Temperature rise: Max. 30°C (86°F) after 250 cycles of overload @ 200% of rated current (DC)</p>	<p>Dielectric voltage: Withstands 2000V per UL498</p> <p>Current interrupting: Yes, at full-rated current</p> <p>Temperature rise: Max. 30°C (86°F) after 250 cycles of overload @ 200% of rated current (DC)</p>	<p>Dielectric voltage: Withstands 2000V per UL498</p> <p>Current interrupting: Yes, at full-rated current</p> <p>Temperature rise: Max. 30°C (86°F) after 100 cycles of overload @ 150% of rated current (DC)</p>	<p>Dielectric voltage: Withstands 2000V per UL498</p> <p>Current interrupting: Yes, at full-rated current</p> <p>Temperature rise: Max. 30°C (86°F) after 100 cycles of overload @ 150% of rated current (DC)</p>
Mechanical specifications	<p>Terminal accommodation: #14 - 10 AWG</p> <p>Voltage ratings: Permanently marked on device</p>	<p>Terminal accommodation: #14 - 10 AWG</p> <p>Voltage ratings: Permanently marked on device</p>	<p>Terminal accommodation: #14 - 10 AWG</p> <p>Voltage ratings: Permanently marked on device</p>	<p>Terminal accommodation: #14 - 12 AWG</p> <p>Voltage ratings: Permanently marked on device</p>
Materials	<p>Face: Nylon</p> <p>Base: PVC</p> <p>Strap: 0.045" thick galvanized steel</p> <p>Auto ground clip: Phosphor bronze</p> <p>Line contacts: 0.03" thick brass</p> <p>Ground contact: Riveted</p> <p>Terminal screws: #8-32 steel, brass plated, neutral screw nickel plated</p> <p>Ground screw: #8-32 steel (green)</p>	<p>Face: PVC</p> <p>Base: PVC</p> <p>Strap: 0.040" thick galvanized steel</p> <p>Auto ground clip: Phosphor bronze</p> <p>Line contacts: 0.03" thick brass</p> <p>Ground contact: Riveted</p> <p>Terminal screws: #8-32 brass plated, neutral screw nickel plated</p> <p>Ground screw: #8-32 steel (green)</p>	<p>Face: Nylon</p> <p>Base: Nylon</p> <p>Strap: 0.045" thick galvanized steel</p> <p>Auto ground clip: Brass</p> <p>Line contacts: 0.03" thick brass</p> <p>Ground contact: Riveted</p> <p>Terminal screws: #8-32 steel, brass plated, neutral screw nickel plated</p> <p>Ground screw: #8-32 steel (green)</p>	<p>Face: Urea</p> <p>Base: Polypropylene</p> <p>Strap: 0.030" thick steel</p> <p>Auto ground clip: N/A</p> <p>Line contacts: 0.032" thick brass</p> <p>Ground contact: Screw down</p> <p>Terminal screws: N/A</p> <p>Ground screw: #6-32 brass (green)</p>

Compliances, specifications and availability are subject to change without notice.

 All products on this page are RoHS compliant – Page Q-30