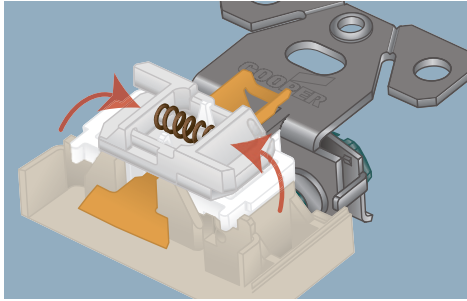
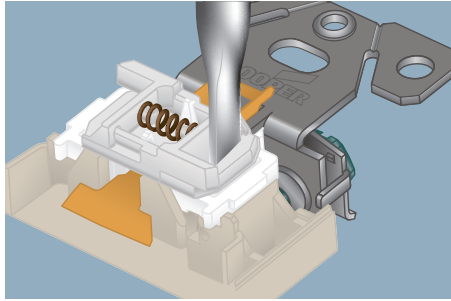


### Tamper resistant, weather resistant, and tamper & weather resistant receptacles

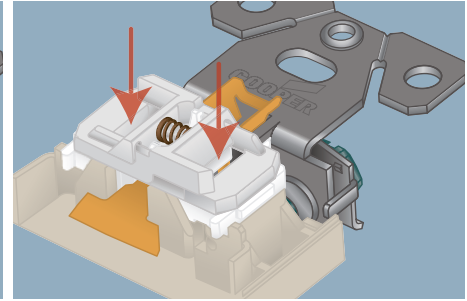
How the tamper resistant system works:



Shutters restrict access in closed position.



Insertion of object in any one side will not open shutters.



Insertion of two-bladed plug or grounding plug will open shutters.



"TR" mold mark provides quick visual confirmation of tamper resistance when installed.



"WR" identifier quickly indicates during inspections that a weather resistant receptacle has been installed.



Both the "TR" mold mark and "WR" identifier are clearly visible in the finished installation, indicating double-layer protection for maximum safety.

#### A) 2014 NEC – 517.18 (C) Pediatric locations

Receptacles located within the rooms, bathrooms, playrooms, activity rooms and patient care areas of pediatric wards shall be listed under tamper resistant or employ a listed tamper resistant cover.

#### B) 2014 NEC – 406.12 (B) TR for guest rooms and guest suites

All nonlocking type, 125V, 15- and 20-amp receptacles located in guest rooms and guest suites shall be listed tamper resistant receptacles.

#### C) 2014 NEC – 406.9 (A) (B) Receptacles in damp or wet locations

All 15- and 20-amp, 125- and 250-volt non-locking receptacles installed in wet or damp locations shall be weather resistant receptacles.

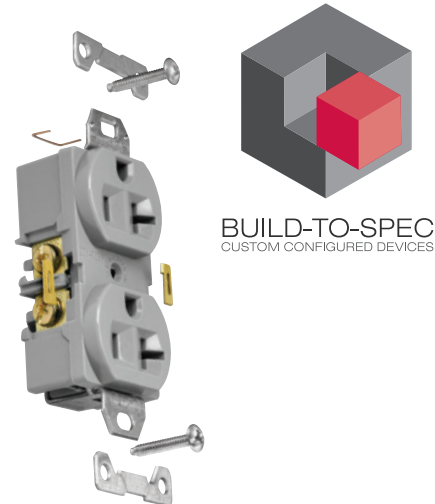
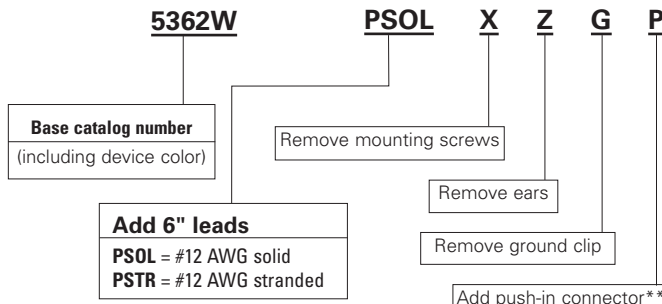
## Build-to-spec

### For receptacles, switches, GFCIs & TVSS devices

Modified at the factory to improve efficiency and speed production at the job site. Arrow Hart's build-to-spec program provides customized device solutions to simplify your project and maximize your bottom line.

**Build-to-spec sample number:**  
**5362W**

**Note:**  
Arrow Hart 20A 125V NEMA 5-20 blue SPD surge protection receptacle, with wire leads and push-in connectors, without mounting screws, ears, or grounding clip.



\*\*For use with leaded devices only. Add "PSOL" to back of device catalog number for 6" of #12 AWG solid or "PSTR" for 6" of #12 AWG stranded. (Example: 8300BLSPSOL + build to spec options).

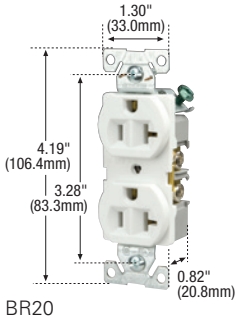
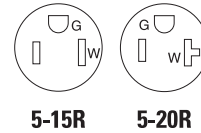
All devices are bulk packed 50 pieces per carton. Minimum order quantity is 100 pieces. Orders under 500 pieces ship within 5 days with larger quantities typically within 10 days.

Compliances, specifications and availability are subject to change without notice.

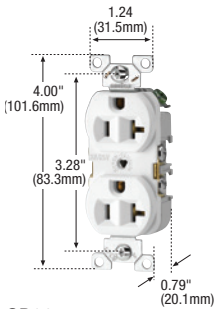
### Commercial grade straight blade receptacles

#### Product description

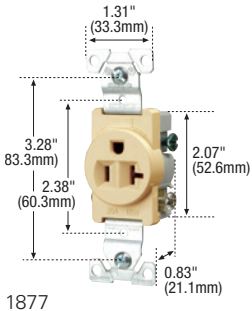
2-pole, 3-wire grounding  
 15A, 125V/AC  
 20A, 125V/AC  
 NEMA 5-15R, 5-20R



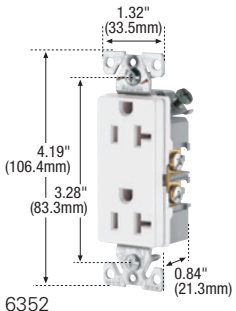
BR20



CR20



1877



6352

#### Commercial grade receptacles



Rating	A	V/AC	NEMA	Description	Color suffix	Catalog no.			
15	125	5-15R	Duplex receptacle, back & side wire	A, B, BK, GY, LA, V, W	□ BR15__	•	•	•	
			Duplex receptacle, side wire	A, B, BK, GY, LA, V, W	□ CR15__ <sup>Δ</sup>	•	•	•	
			Single receptacle, side wire	B, BK, LA, V, W	□ 817__*	•	•	•	
20	125	5-20R	Duplex receptacle, back & side wire	A, B, BK, GY, LA, RD, V, W	□ BR20__	•	•	•	
			Duplex receptacle, side wire	A, B, BK, GY, LA, V, W	□ CR20__ <sup>Δ</sup>	•	•	•	
			Single receptacle, side wire	A, B, BK, LA, V, W	□ 1877__*	•	•	•	

\* Not Fed Spec, <sup>Δ</sup> cULus Listed

#### Decorator commercial grade receptacles



Rating	A	V/AC	NEMA	Description	Color suffix	Catalog no.			
15	125	5-15R	Duplex receptacle, back & side wire	B, BK, GY, LA, V, W	□ 6252__ <sup>†</sup>	•	•	•	
			Single receptacle, back & side wire	V, W	□ 6250__	•	•	•	
20	125	5-20R	Duplex receptacle, back & side wire	A, B, BK, GY, LA, V, W	□ 6352__	•	•	•	
			Single receptacle, back & side wire	B, V, W	□ 6350__ <sup>†</sup>	•	•	•	

<sup>†</sup> Not NOM cert

#### Accessories for construction grade 5-15 & 5-20 receptacles

Description	Color suffix	Catalog no.		
2-Gang standard size duplex receptacle wallplate	A, B, BK, GY, LA, RD, V, W	□ 5150__	•	•
1-Gang mid-size single receptacle wallplate, 1.4" hole	A, B, BK, GY, LA, RD, V, W	□ PJ7__	•	•



5150B



PJ7GY

#### Color ordering information:

For ordering devices, include Catalog no. followed by the Color suffix: A (Almond), B (Brown), BK (Black), GY (Gray), LA (Light Almond), RD (Red), V (Ivory), W (White)



**Specification information:** Commercial receptacles: A-38

**Compliances, specifications and availability are subject to change without notice.**

Build-to-spec customizable devices - Page A-6

Indicates NAFTA compliant - Page Q-30

RoHS compliant - Page Q-30

# Commercial grade receptacles specification & performance data


## Commercial grade receptacles

### Product description

2-pole, 3-wire grounding  
15A, 125V/AC;  
20A, 125V/AC  
NEMA 5-15, 5-20

Device type	Commercial grade duplex and decorator duplex receptacles: BR, 6200, 6300, 6400 series	Commercial grade duplex receptacles CR series	Commercial grade single receptacles: 800, 1800 series	Snap-in receptacles: 49, 67, 4049, 4067, 4070 series
<b>Wiring type</b>	Back & side wire, except 6250, 6350, 6450 series	Side wire only	Side wire only	Wire leads & quick connect
<b>Testing &amp; code compliance</b>	<ul style="list-style-type: none"> <li>cULus Listed to UL498, file no. E15058</li> <li>BR series only: UL verified to Fed Spec. WC-596G</li> <li>CSA certified to 22.2, no 42, file no. 6914 (6233-01)</li> <li>NOM/ANSI certified</li> </ul>	<ul style="list-style-type: none"> <li>cULus Listed to UL498 file no. E15058</li> <li>UL verified to Fed Spec WC-596G</li> <li>NOM certified</li> </ul>	<ul style="list-style-type: none"> <li>Listed to UL498, file no. E15058</li> <li>CSA certified to 22.2, no 42, file no. 6914 (6233-01)</li> <li>NOM/ANSI certified</li> </ul>	<ul style="list-style-type: none"> <li>UR (UL Recognized)</li> <li>CSA certified to C22.2, no. 42, file no. 6914 (6233-01)</li> <li>NOM certified</li> </ul>
<b>Environmental specifications</b>	<p><b>Flammability:</b> Meets UL94 requirements; V2 rated</p> <p><b>Temperature rating:</b> -20°C to 70°C (-4°F to 158°F)</p>	<p><b>Flammability:</b> Meets UL94 requirements; V2 rated</p> <p><b>Temperature rating:</b> -20°C to 60°C (-4°F to 140°F)</p>	<p><b>Flammability:</b> Meets UL94 requirements; V2 rated</p> <p><b>Temperature rating:</b> -20°C to 70°C (-4°F to 158°F)</p>	<p><b>Flammability:</b> Meets UL94 requirements; V2 rated</p> <p><b>Temperature rating:</b> -20°C to 70°C (-4°F to 158°F)</p>
<b>Electrical specifications</b>	<p><b>Dielectric voltage:</b> Withstands 2000V per UL498</p> <p><b>Current interrupting:</b> Yes, at full-rated current</p> <p><b>Temperature rise:</b> Max. 30°C (86°F) after 250 cycles of overload @ 200% of rated current (DC)</p>	<p><b>Dielectric voltage:</b> Withstands 2000V per UL498</p> <p><b>Current interrupting:</b> Yes, at full-rated current</p> <p><b>Temperature rise:</b> Max. 30°C (86°F) after 250 cycles of overload @ 200% of rated current (DC)</p>	<p><b>Dielectric voltage:</b> Withstands 2000V per UL498</p> <p><b>Current interrupting:</b> Yes, at full-rated current</p> <p><b>Temperature rise:</b> Max. 30°C (86°F) after 100 cycles of overload @ 150% of rated current (DC)</p>	<p><b>Dielectric voltage:</b> Withstands 2000V per UL498</p> <p><b>Current interrupting:</b> Yes, at full-rated current</p> <p><b>Temperature rise:</b> Max. 30°C (86°F) after 100 cycles of overload @ 150% of rated current (DC)</p>
<b>Mechanical specifications</b>	<p><b>Terminal accommodation:</b> #14 - 10 AWG</p> <p><b>Voltage ratings:</b> Permanently marked on device</p>	<p><b>Terminal accommodation:</b> #14 - 10 AWG</p> <p><b>Voltage ratings:</b> Permanently marked on device</p>	<p><b>Terminal accommodation:</b> #14 - 10 AWG</p> <p><b>Voltage ratings:</b> Permanently marked on device</p>	<p><b>Terminal accommodation:</b> #14 - 12 AWG</p> <p><b>Voltage ratings:</b> Permanently marked on device</p>
<b>Materials</b>	<p><b>Face:</b> Nylon</p> <p><b>Base:</b> PVC</p> <p><b>Strap:</b> 0.045" thick galvanized steel</p> <p><b>Auto ground clip:</b> Phosphor bronze</p> <p><b>Line contacts:</b> 0.03" thick brass</p> <p><b>Ground contact:</b> Riveted</p> <p><b>Terminal screws:</b> #8-32 steel, brass plated, neutral screw nickel plated</p> <p><b>Ground screw:</b> #8-32 steel (green)</p>	<p><b>Face:</b> PVC</p> <p><b>Base:</b> PVC</p> <p><b>Strap:</b> 0.040" thick galvanized steel</p> <p><b>Auto ground clip:</b> Phosphor bronze</p> <p><b>Line contacts:</b> 0.03" thick brass</p> <p><b>Ground contact:</b> Riveted</p> <p><b>Terminal screws:</b> #8-32 brass plated, neutral screw nickel plated</p> <p><b>Ground screw:</b> #8-32 steel (green)</p>	<p><b>Face:</b> Nylon</p> <p><b>Base:</b> Nylon</p> <p><b>Strap:</b> 0.045" thick galvanized steel</p> <p><b>Auto ground clip:</b> Brass</p> <p><b>Line contacts:</b> 0.03" thick brass</p> <p><b>Ground contact:</b> Riveted</p> <p><b>Terminal screws:</b> #8-32 steel, brass plated, neutral screw nickel plated</p> <p><b>Ground screw:</b> #8-32 steel (green)</p>	<p><b>Face:</b> Urea</p> <p><b>Base:</b> Polypropylene</p> <p><b>Strap:</b> 0.030" thick steel</p> <p><b>Auto ground clip:</b> N/A</p> <p><b>Line contacts:</b> 0.032" thick brass</p> <p><b>Ground contact:</b> Screw down</p> <p><b>Terminal screws:</b> N/A</p> <p><b>Ground screw:</b> #6-32 brass (green)</p>

Compliances, specifications and availability are subject to change without notice.

 All products on this page are RoHS compliant – Page Q-30