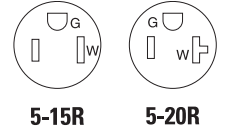


Straight Blade Receptacles

Project Name:	Prepared By:
Project Number:	Date:
Catalog Number:	Type:

Residential Grade Duplex Receptacles

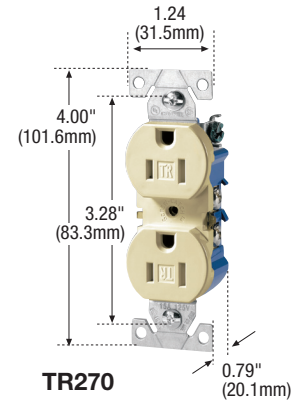
2-Pole, 3-Wire Grounding
15A, 125V
20A, 125V



Residential Duplex Receptacles

Features

- Tamper Resistant receptacles provide compliance with 2011 NEC® Article 406.12 that states that all 15A & 20A, 125V receptacles installed in dwelling units must be tamper resistant
- Excellent plug blade retention provided by 0.031" (0.79mm) brass line contacts
- 0.040" (1.02mm) galvanized steel, wrap-around yoke mounting strap for superior assembly security (TR370 only)
- Automatic grounding system eliminates need for bonding jumper in grounded metal enclosure, provides redundant measure of ground continuity where jumper used (TR270-9 & TR370 only)
- Screw-Catch™ feature on duplex devices speeds mounting of wallplates



Tamper Resistant Straight Blade Receptacles

NEMA 5-15 Side and Push Wire

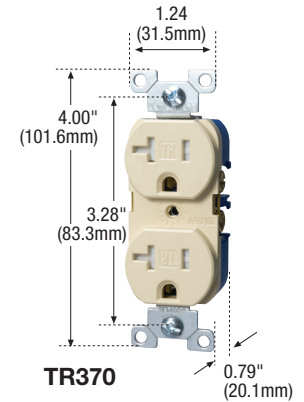


Rating A	V/AC	Description	Available Colors	Catalog No.
15	125	NEMA 5-15 Tamper Resistant Duplex Receptacle, 2-Pole, 3-Wire	A, B, BK, LA, V, W	□ TR270__
15	125	NEMA 5-15 Tamper Resistant Duplex Receptacle, 2-Pole, 3-Wire, Auto Grounding	A, B, LA, V, W	□ TR270-9__

NEMA 5-20 Side Wire

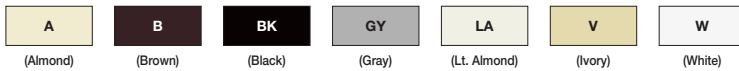


Rating A	V/AC	Description	Available Colors	Catalog No.
20	125	NEMA 5-20 Tamper Resistant Duplex Receptacle, 2-Pole, 3-Wire, Auto Grounding	A, B, BK, GY, LA, V, W	□ TR370__



Color Ordering Information

For ordering devices, include Cat. No. followed by the color code: A (Almond), B (Brown), BK (Black), GY (Gray) LA (Light Almond), V (Ivory), W (White)



Specifications and availability subject to change without notice.

TESTING & CODE COMPLIANCE

- cULus Listed to UL 498, file no. E15058
- NOM certified

MATERIAL CHARACTERISTICS

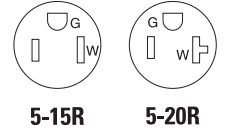
- Environmental: Meets UL 94 requirements, V0 rated
- Temperature Rating: -20°C to 60°C (-4°F to 140°F)

Straight Blade Receptacles Specification & Performance Data

Project Name:	Prepared By:
Project Number:	Date:
Catalog Number:	Type:

Residential Grade Duplex Receptacles

2-Pole, 3-Wire Grounding
15A, 125V
20A, 125V



Specification & Performance Data

	Device Type	Tamper Resistant Straight Blade Duplex Receptacles TR270, TR370
	Wiring Type	Side and push wire (TR270), Side wire (TR370)
	Testing & Code Compliance	<ul style="list-style-type: none"> cULus Listed to UL498, file no. E15058 NOM certified
Specifications: Environmental	Flammability	Meets UL 94 requirements; V2 rated
	Temperature Rating	-20°C to 60°C (-4°F to 140°F)
Specifications: Electrical	Dielectric Voltage	Withstands 2000V per UL 498
	Current Interrupting	Yes, at full-rated current
	Temperature Rise	Max. 30°C (86°F) after 100 cycles of overload @ 150% of rated current (DC)
Specifications: Mechanical	Terminal Accommodation	#14 - #10 AWG
	Voltage Ratings	Permanently marked on device
Materials:	Top Housing	Thermoplastic, PVC
	Bottom Housing	Thermoplastic, PVC
	Strap	0.040" thick galvanized steel
	Auto Ground Clip	Phosphor bronze wire (TR270-9 & TR370 only)
	Line Contacts	0.031" thick brass
	Ground Contact	0.031" thick, secured to strap via staking
	Terminal & Ground Screws	#8-32 steel, brass plated; neutral screw nickel plated, ground screw green
	Tamper Resistant Shutters	Reliable Delrin® shutter assembly

Delrin® is a registered trademark of E.I. du Pont de Nemours

Specifications and availability subject to change without notice.