

Residential grade 4-way switch

Project Name:	Prepared By:
Project Number:	Date:
Catalog Number:	Type:



1242-7

Description

15A 120/277V/AC
4-Way

Design features

- Patent pending spring cup toggle design for robust actuation
- 120/277V/AC rating ideal for fluorescent lighting fixtures typical in commercial applications
- Terminal screws backed out and ready for wiring
- Tri-combo head mounting and terminal screws ease installation
- Patented built-in wire stripper for #14 and #12 wire to speed installation

Table 1. Back & Side Wire

Catalog No.	Description	Amps	Volts	Color Suffix
□ 1242-7__	4-Way Switch	15	120/277	A, B, LA, V, W

Compliances, specifications and availability are subject to change without notice.

**Cooper
Wiring Devices**

by **EAT•N**

Project Name:	Prepared By:
Project Number:	Date:
Catalog Number:	Type:

Applications

Residential grade 4-way switches are designed to switch from three or more locations.

Table 2. Specifications

Catalog No.	1242-7 Series
	15A 120/277V Residential Grade Toggle Switch
Wiring Type	Back & side wire
Testing & Code Compliance	cULus listed to UL 20, file no. E18704 UL verified to Federal Spec WS-896-F
Environmental Specifications	Flammability: Meets UL94 requirements; V2 rated Temperature Rating: -20°C to 60°C (-4°F to 140°F)
Electrical Specifications	Dielectric Voltage: Withstands 1500V per UL 20 Current Interrupting: Yes, at full-rated current Temperature Rise: Max. 30°C (86°F) after 100 cycles of overload and 30,000 cycles of endurance testing
Mechanical Specifications	Terminal Accommodation: #14 - 10 AWG Voltage Ratings: Permanently marked on device Horsepower Ratings: Rated for motor loads per 15A: @ 120V/AC = 1/2 HP, @ 240V/AC=2 HP; max. amps 12A

Table 3. Materials

Catalog No.	1242-7 Series
	15A 120/277V Residential Grade Toggle Switch
Toggle	Nylon
Top Housing	Polycarbonate
Bottom Housing	Polycarbonate
Strap	0.050" thick steel, galvanized
Auto Ground Clip	0.015" thick brass
Terminals	0.030" thick brass
Terminal Screws	#10-32 brass, black
Ground Screw	#8-32 steel, zinc plated, green
Back wire Clamp	0.070" plated steel (terminal screws), 0.50" (ground screw)
Contacts	Silver alloy
Moveable Contact Arm	0.030" thick brass

Table 4. Color Ordering Information

For ordering devices, include Catalog No. followed by the Color Suffix: A (Almond)
B (Brown), LA (Light Almond), V (Ivory), W (White)

A	B	LA	V	W
(Almond)	(Brown)	(Light Almond)	(Ivory)	(White)

Compliances, specifications and availability are subject to change without notice.

Project Name:	Prepared By:
Project Number:	Date:
Catalog Number:	Type:

Product Dimensions

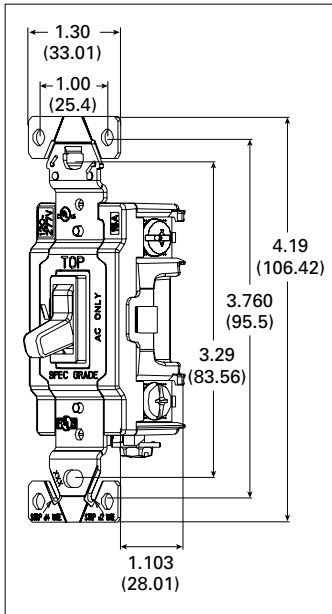


Figure 1. 1242-7

Compliances, specifications and availability are subject to change without notice.

Eaton
1000 Eaton Boulevard
Cleveland, OH 44122
United States
Eaton.com

Electrical Sector
203 Cooper Circle
Peachtree City, GA 30269
United States
Eaton.com
Cooperwiringdevices.com

© 2013 Eaton
All Rights Reserved
Printed in USA
Publication No. 125-0062-13
September 2013