



## Locking Devices

Cooper Wiring Devices offers the industry's most diverse and complete line of Industrial Specification Grade, Marine Grade and Commercial Specification Grade locking receptacles, plugs, connectors, flanged inlets and outlets. Our line includes 15A, 20A, 30A, 50A and 60A ratings in 2-pole, 2-wire; 2-pole, 3-wire; 3-pole, 3-wire; 3-pole, 4-wire grounding; 4-pole, 4-wire; and 4-pole, 5-wire grounding. We also offer all design styles to meet any application, including: Hart-Lock®, AutoGrip®, PowerLock®, Safety Grip®, California standard, watertight, insulated, isolated ground, corrosion resistant, and midget.

All of our rugged devices are “contractor tough,” yet their locking action is easy to implement. A simple twist engages or disengages the mechanism.

Cooper's tough locking receptacles meet NEMA/ANSI standards, are UL listed, and many models are CSA approved. All of our locking devices meet or surpass the most stringent industry performance standards established by the National Electrical Manufacturers Association, Underwriters' Laboratories, and Federal Specifications.

Cooper's designs are easy to install, and each attractively finished product is inspected at the point of manufacture and tested for electrical and mechanical performance, as well as for safety characteristics, before packing.

### **Industrial Specification Grade Locking Receptacles**

These locking receptacles are the top of the Cooper Wiring Devices line, featuring superior engineering and performance as well as outstanding appearance and ease of installation. Made to provide the safest, most dependable wiring device performance available, Industrial Specification Grade locking receptacles meet or surpass the most stringent industry standards.

### **Industrial Specification Grade Locking Plugs and Connectors**

Only Cooper Wiring Devices offers tough Industrial Specification Grade plugs and connectors in two different cable clamping designs to meet your every need. All our AutoGrip® and Safety Grip® nylon devices are high performance connecting products for use in high abuse areas such as industrial plants, institutional locations and commercial job sites. They meet or exceed the latest requirements of industry performance standards and design standards such as NEMA, ANSI, UL, and Federal Specifications/GSA.

Nearly all of Cooper's locking devices are Underwriters' Laboratories (UL) Listed and most are also CSA certified or available as CSA certified. Please consult Cooper Wiring Devices Customer Service for availability.

INDUSTRIAL  
COMMERCIAL

**E-Intro-1**  
LOCKING  
DEVICES

# Industrial Specification Grade Hart-Lock® Locking Devices

Heavy duty, glass reinforced, high temperature, nylon body reduces breakage. Heat stabilized material suitable for 105°C/221°F continuous use. Body material meets UL 175 C.T.I. test.

One piece brass alloy contacts provide excellent plug retention and continuity in the grounding and power circuits.



Rugged heavy duty mounting strap. Double riveted to body for added strength.

Compact body design allows for adequate wire room in wallbox.

Heavy interior walls provide additional support to insure contact retention.

Back and side wired terminal design allows for fast installation. Large 10-32 power contact screws assure easy, efficient installation.

Serrated terminal plates bite wire to insure strong, reliable wiring connections.



INDUSTRIAL  
COMMERCIAL

**E-Intro-2**  
LOCKING  
DEVICES



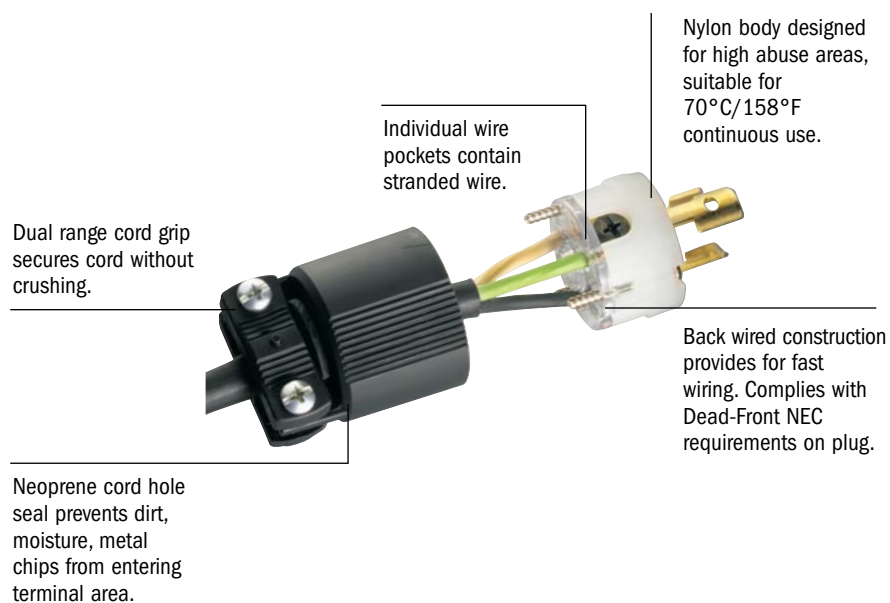
INDUSTRIAL  
COMMERCIAL

**E-Intro-3**  
LOCKING  
DEVICES

## Industrial Specification Grade 20 & 30A Hart-Lock® Locking Plugs and Connectors



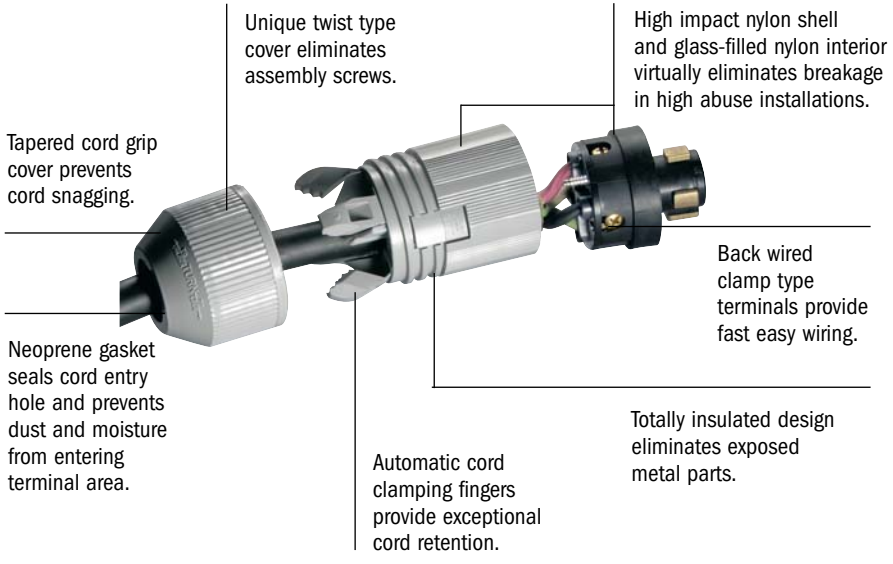
## Industrial Specification Grade 15A Hart-Lock® Locking Plugs and Connectors



# Power-Lock® Locking Devices

Power-Lock devices are designed for the high abuse of heavy-duty industrial, petrochemical, marine and construction applications. These units come in a complete line of plugs, connectors, receptacles, and accessories in 20, 30 and 60 ampere, 2-pole, 3-wire; 3-pole, 4-wire and 4-pole, 5-wire configurations.

## Heavy-duty 30A Power-Lock®



INDUSTRIAL  
COMMERCIAL

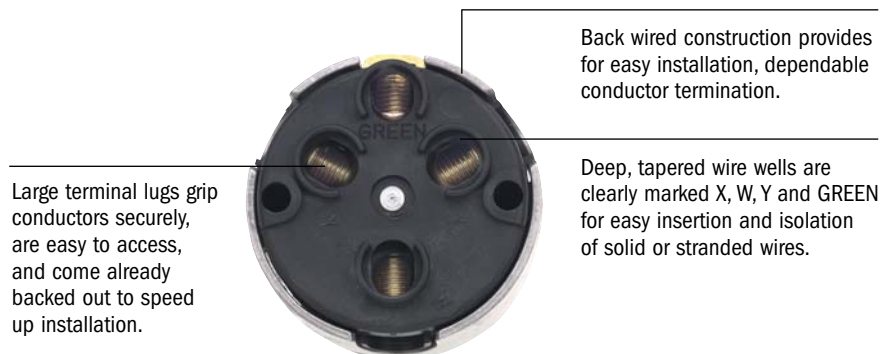
**E-Intro-4**  
LOCKING  
DEVICES



## Hart-Lock® 50 Amp AutoGrip™ Plugs and Connectors

INDUSTRIAL  
COMMERCIAL  
RESIDENTIAL

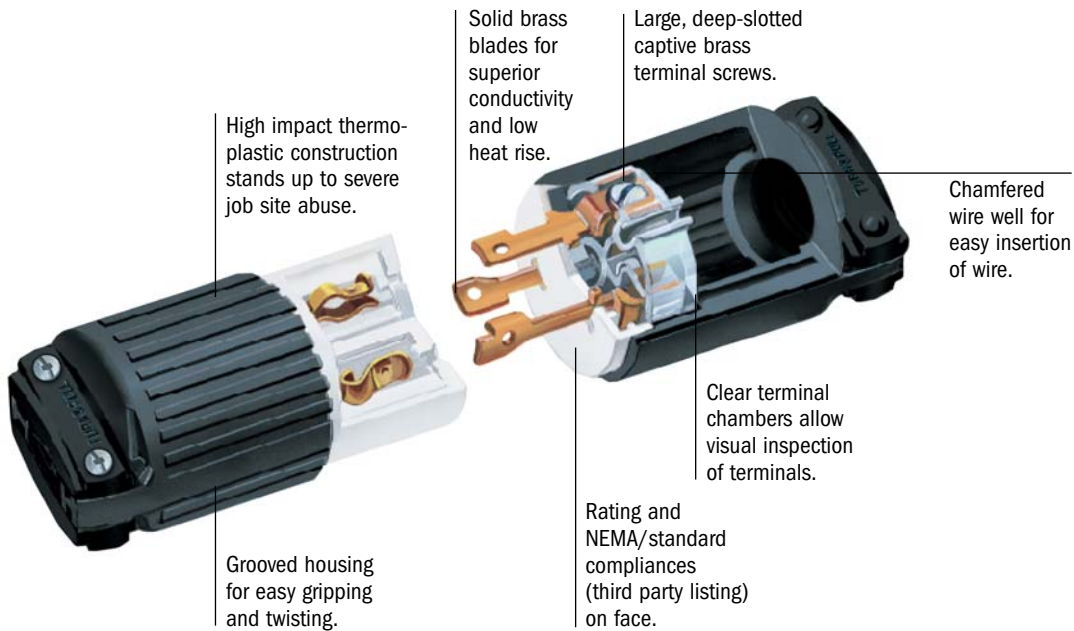
**E-Intro-5**  
LOCKING  
DEVICES





# Commercial Spec Grade Devices

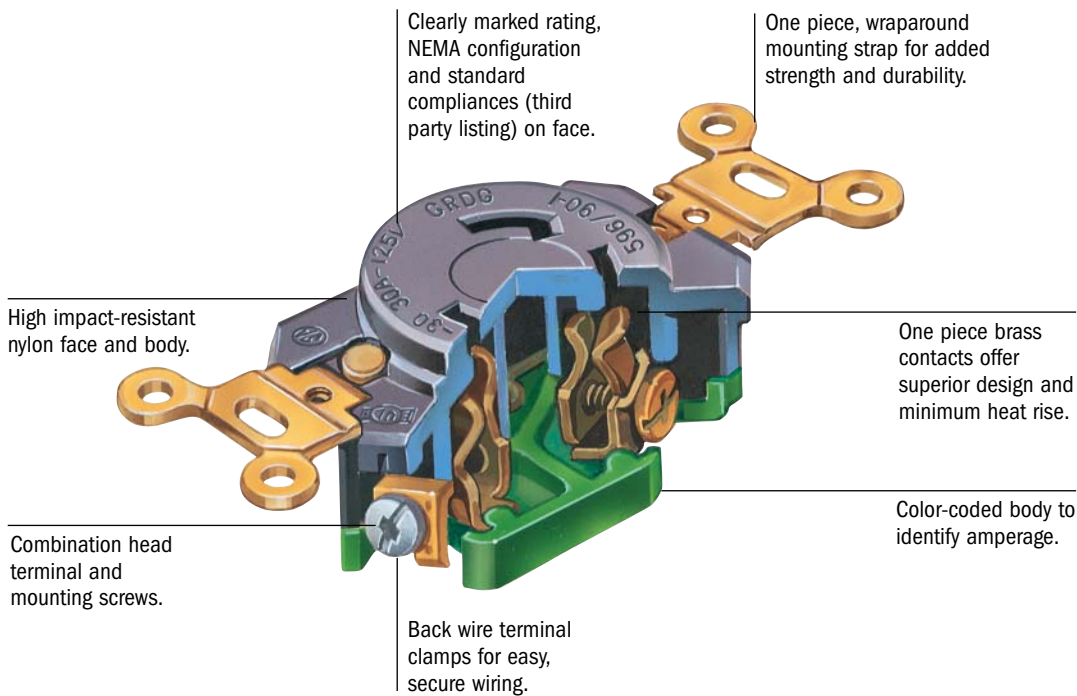
## Commercial Specification Grade Locking Plugs and Connectors



INDUSTRIAL  
COMMERCIAL  
RESIDENTIAL

**E-Intro-6**  
LOCKING  
DEVICES

## Commercial Specification Grade Locking Receptacles



# Commercial Specification Grade Locking Devices

3 Pole, 4 Wire Grounding  
 NEMA L14-20, 20A 125/250V  
 NEMA L15-20, 20A 250V 3Ø  
 NEMA L16-20, 20A 480V 3Ø



INDUSTRIAL  
 COMMERCIAL  
 RESIDENTIAL

## E-38 LOCKING DEVICES

### TESTING & CODE COMPLIANCE

- Listed to UL 498 Receptacles: (file no. E15058). UL verified to Federal Spec. WC-596; Plugs & Connectors: (file no. E15012).
- Certified to CSA C22.2 no.42. Receptacles: (file no. LR6914 (6233-01)). Plugs & Connectors: (file no. LR2081 (6221-02)).
- NOM Certified, except as noted.

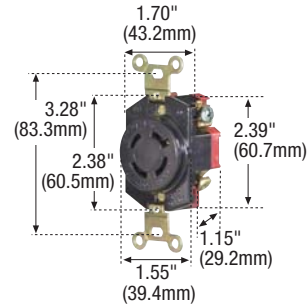
### MATERIAL CHARACTERISTICS

- Receptacles: Nylon.
- Plugs, Connectors: Polycarbonate & PVC. Meets flammability requirements per UL 94, V2 rated.
- Temperature Rating: Receptacles: -40°C to 70°C Plugs & Connectors: -20°C to 60°C.

## 20A 3 Pole, 4 Wire Commercial Specification Grade Receptacles

### FEATURES

- Rugged nylon face and body.
- Clearly marked rating, NEMA configuration and approval listings on receptacle face.
- One piece brass contacts offer superior performance and minimum heat rise.
- Back wire terminal clamps for easy secure wiring.
- Combination head screws standard - slot/Phillips in the U.S.



L1620R

### Commercial Specification Grade Receptacles

Rating	A	V/AC	NEMA	Description	Color	Catalog No.
20		125/250	L14-20	Single	Black	L1420R
20		250V 3Ø	L15-20	Single	Black	L1520R
20		480V 3Ø	L16-20	Single	Black	L1620R*

\*Not CSA or NOM

## 20A 3 Pole, 4 Wire Commercial Specification Grade Locking Plugs and Connectors

### FEATURES

- Abuse resistant thermoplastic construction.
- Back wire Dead-Front design.
- External cable clamp provides firm strain relief.
- Back wire terminal clamps for easy secure wiring.
- Individual wiring compartments with tapered channel for easy insertion of wires.
- Triple combination head screws standard - slot/Phillips/Robertson for use in the U.S. and Canada.
- Clear cover over wiring compartments allow easy inspection of wiring terminations.
- Clearly marked rating, NEMA configuration and standard compliances on face of plug or connector.



L1420P



L1420C



L1520C

### Commercial Specification Grade Locking Plugs and Connectors

Rating	A	V/AC	NEMA	Description/ Cord Diameter	Color	Plug	Connector
20		125/250	L14-20	Straight: 0.25"-0.69" (6.35mm-17.5mm)	Black & White	L1420P	L1420C
20		250V 3Ø	L15-20	Straight: 0.25"-0.69" (6.35mm-17.5mm)	Black & White	L1520P	L1520C

NOTE: Weather Protective Covers and Boots from Cooper Wiring Devices that may be used with these products are described on pages E-71 and E-72 in this section.



L14-20P

L14-20R

L15-20P

L15-20R

L16-20R



INDUSTRIAL  
COMMERCIAL

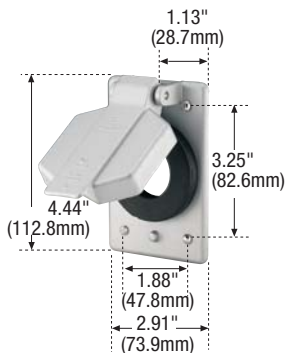
**E-71**  
LOCKING  
DEVICES



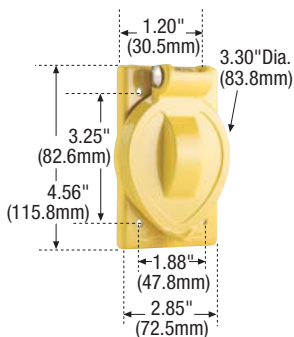
## Weather Protective Covers for Hart-Lock® Locking Devices



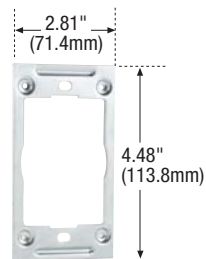
**WLRD1**



**WLRS1**



**7420CR**



**7349**



**WP1**

### Weather Protective Covers

#### FEATURES

- WLRD1 and WLRS1 are UL Listed, wet location covers closed and damp locations cover open or closed.
- UL Listed, damp location cover open (with plug inserted) and wet location with cover closed.
- Receptacle covers are designed for use with FS/FD boxes.
- Self closing spring door assures full protection.
- WLRD1 and WLRS1 consist of die cast copper free aluminum with epoxy finish for maximum corrosion resistance.
- EPDM gasketing material on WLRD1 and WLRS1 provide excellent resistance to ozone, weathering and temperatures from -50°F to 260°F (-46°C to 127°C).
- All receptacle covers consist of die cast aluminum.
- For full list of weather proof covers, refer to Catalog Section "N: Weather Protective Devices".

#### Weather Protective Covers

Description	Catalog No.
Duplex receptacle cover, horizontal mounting.	WLRD1#
Single receptacle cover, vertical mounting, 1.38" (34.9mm) face diameter.	WLRS1#
Single receptacle cover, vertical mounting, 1.56" (39.62mm) face diameter	WLR2#
Adapter, flush mounts above covers to standard boxes.	WLRA1
Duplex receptacle cover, vertical mounting.	7879FS†
Duplex receptacle cover, vertical mounting, yellow corrosion resistant.	7879FSCR†
Single receptacle cover, vertical mounting, 1.38"-1.56" (34.9mm-39.7mm) face diameter.	7420†
Single receptacle cover, vertical mounting, 1.38" -1.56" (34.9mm-39.7mm) face diameter, yellow corrosion resistant finish.	7420CR†
Adapter, flush mounts above covers to standard boxes.	7349
Glass reinforced nylon cover for 15A flanged inlets and outlets.	WP1*
Glass reinforced nylon cover for 20A and 30A flanged inlets and outlets.	WP2*

\*Listed to UL 514C (file no. E2458) and CSA listed to C22.2 no. 18 (file no. LR7289).

#Listed to UL 514A (file no. E15022).

†Listed to UL 514A, cUL Listed to CSA C22.2 no. 18 (file no. E92122).



# Weather Protective Boots for Hart-Lock® and Power-Lock® Locking Devices

For Plugs and Connectors



INDUSTRIAL  
COMMERCIAL

## E-72 LOCKING DEVICES

### Weather Protective Boots

#### FEATURES

- UL Listed to I.E.C. 529.
- Neoprene resists oil, grease, acids and has long life properties.
- Flexible and easy to apply to plug or connector.
- Cord hole opening can be cut away for large diameter cords.
- Carries IP55 environmental rating when proper boot is applied to mating plug and connector.

#### Weather Protective Boots

Description	Catalog No.
Boot for 15 amp Hart-Lock® plugs when used with mating receptacle, outlet or connector (with BS2 boot) and connector when used with inlet.	BS1
Boot for 15 amp Hart-Lock® connector when used with mating plug (with BS1 boot)	BS2
Fits all 20 & 30 amp 3-wire Hart-Lock® plugs when used with connector equipped with BM2, receptacle or outlet, all 20 & 30 amp 3-wire Hart-Lock® connectors when used with inlet	BM1
Fits all 20 & 30 amp 3-wire Hart-Lock® connectors when used with mating plug equipped with BM1	BM2
Fits all 4 and 5 wire Hart-Lock® plugs when used with connector equipped with BL2 receptacle or outlet, 4 and 5 wire Hart-Lock® connectors when used with inlets	BL1
Fits all 4 and 5 wire Hart-Lock® connectors when used with mating plug equipped with BL1	BL2
For 50A plug when used with receptacle, or for 50A connector when used with inlet or plug with 7717 boot.	7716
For 50A connector when used with 50A plug with 7716 boot.	7717
For 50A connector when used with a hull inlet.	77CR15
Short neoprene boot for midsize plugs	74CM40
For 20A Power-Lock® plugs when used with mating receptacle outlet or connector (with 23025 boot) and connector when used with inlet	23024
For 20A Power-Lock® connector when used with mating plug (with 23024 boot)	23025



BS1



BM1



BM2

#### TESTING & CODE COMPLIANCE

- Listed to UL 514C.
- cUL Certified to CSA c22.2 no. 18 (file no. E2458).

#### MATERIAL CHARACTERISTICS

Neoprene.  
Temperature Rating:  
-40°C to 107°C.