



Commercial Specification Grade Straight Blade Power Devices

3 Pole, 3 Wire Non-Grounding
NEMA 10-50
50A 125/250V

INDUSTRIAL
COMMERCIAL
RESIDENTIAL

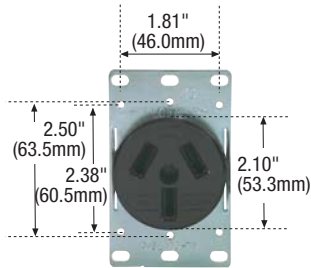
A-25 STRAIGHT BLADE RECEPTACLES

TESTING & CODE COMPLIANCE

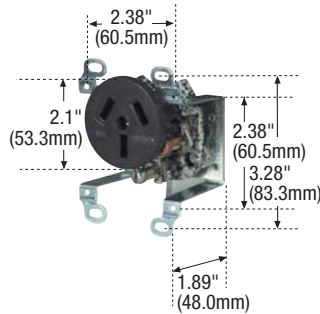
- UL file:
Receptacles:
(file no. E15058);
Plugs:
(file no. E15012).
- NOM Certified.

MATERIAL CHARACTERISTICS

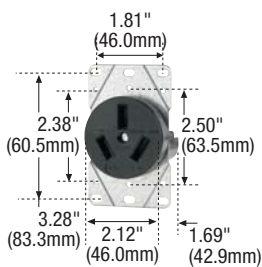
Temperature Rating:
-20°C (without
impact) to 75°C max.
continuous. 7985N:
V2 rated; -40°C
(without impact)
to 105°C max.
continuous.



32B



122B



7985N

Power Devices

FEATURES

- Heavy gauge steel mounting strap zinc-plated for corrosion resistance.
- Receptacles for use with copper or aluminum wire.
- Surface receptacles have patented lay-in terminals and accept up to #4 wire.
- Universal plugs include blades for 50A configurations.
- Surface receptacles 0.75" (19.05mm) and 1" (25.4mm) concentric knockouts and adjustable cord clamp allow for wiring from bottom or back.
- Flush receptacles fit one or two gang enclosures.
- High strength glass reinforced nylon body resists breakage in high abuse areas for Catalog No. 7985N.

NEMA 10-50 Rating 50A 125/250V

Receptacles

Description	Color	Catalog No.
Surface	Black	112BK
Flush	Black	7985N
Flush	Brown	32B
Flush Off Center	Brown	122B

Plugs

Description	Color	Catalog No.
Angle Universal - Vinyl	Black	80



10-50R



10-50P