

# GFCI Receptacles

|                 |              |
|-----------------|--------------|
| Project Name:   | Prepared By: |
| Project Number: | Date:        |
| Catalog Number: | Type:        |

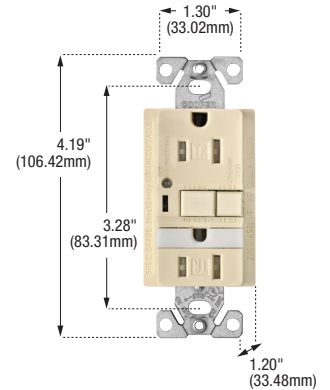
## ARROWHART™ Combination GFCI with Nightlight

2-Pole, 3-Wire Grounding  
15A, 125V/AC  
20A, 125V/AC

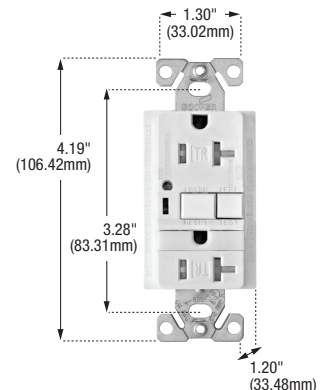
### Commercial Specification Grade Combination GFCI with Nightlight

#### FEATURES

- UL listed, fully compliant with all latest UL 943 and UL 498 Safety Standards
- Shock-Sentry™ lock-out function protects from mis-wired line-load connections and GFCI circuitry damage
- Nightlight is controlled by a light sensor that turns the light ON in the dark and OFF in light
- LEDs produce color temperature of 3000-3500K for a warm “incandescent-like” glow
- Ground termination with backwire clamp provides secure wiring and reduces installation time
- Tapered backwire openings handle multiple wire sizes and types for applications up to #10 AWD solid or stranded wire
- When downstream receptacles are wired from load side, a 20 Amp feed-through rating offers full protection
- Tamper Resistant shutters provide compliance with 2011 NEC® Article 406.12 that states that all 15A and 20A, 125V receptacles installed in dwelling units must be tamper resistant
- Double and Triple wipe blade contacts and double wipe ground contacts to insure long-term blade retention
- Large visual indicator light provides quick visual reference of a tripped or “end of life” condition
- Matching standard size thermoplastic wallplate included
- 10 kA short circuit current rating per UL 943



TRVGFNL15A



TRVGFNL20W

#### Back & Side Wire

| Rating | A   | V/AC | Description                                  | Catalog No.   |  |  |
|--------|-----|------|--|---|--|--|
| 15     | 125 |      | Tamper Resistant Duplex GFCI with Nightlight | <input type="checkbox"/> TRVGFNL15<br>A, BK, LA, V, W |  |  |
| 20     | 125 |      | Tamper Resistant Duplex GFCI with Nightlight | <input type="checkbox"/> TRVGFNL20<br>A, BK, LA, V, W |  |  |

Includes standard size unbreakable wallplate unless otherwise noted.

#### Color Ordering Information

For ordering devices, include Cat. No. followed by the color code: A (Almond), BK (Black), LA (Light Almond), V (Ivory), W (White)



#### Icon Key

ArrowLink™ option available. Add “MOD” suffix to standard catalog number (for example TRVGFNL15, TRVGFNL15MOD). For ordering information on ArrowLink™ & ArrowLink™ SPD connectors, visit [www.arrowhart.com](http://www.arrowhart.com).

Build-To-Spec Customizable Devices

Specifications and availability subject to change without notice.

#### TESTING & CODE COMPLIANCE

- cULus Listed to UL 498 and UL 943, file no. E60120
- Meets all UL 943 (GFCI), UL 498 (Receptacles) and applicable CSA requirements
- NOM certified

#### MATERIAL CHARACTERISTICS

- Environmental: Flammability meets UL 94 requirements; V2 Rated
- Temperature Rating: -35°C to 66°C (-31°F to 150.8° F)

# GFCI Receptacles

|                 |              |
|-----------------|--------------|
| Project Name:   | Prepared By: |
| Project Number: | Date:        |
| Catalog Number: | Type:        |



## Combination GFCI with Nightlight

2-Pole, 3-Wire Grounding  
15A, 125V/AC  
20A, 125V/AC

### Application

The Arrow Hart line of GFCI's provides the safest design possible by denying power if the device is mis-wired or if it is no longer providing GFCI protection. The Combination GFCI with Nightlight adds an additional safety feature by providing easy way-finding in the dark. The Tamper Resistant shutters prevent foreign objects from being inserted and provide code compliance for both residential and commercial applications.

|                               |                               |  |
|-------------------------------|-------------------------------|--|
| Device Type                   |                               | Combination GFCI with Nightlight   |
| Wiring Type                   |                               | Back & side wire   |
| Testing & Code Compliance     |                               | • cULus Listed to UL 498 and UL 943, File no E60120                                |
|                               |                               | • Meets all UL 943 (GFCI) and UL 498 (Receptacles) and applicable CSA requirements |
|                               |                               | • NOM certified  |
| Specifications: Environmental | Flammability                  | Meets UL 94 requirements; V2 rated   |
|                               | Temperature Rating            | -35°C to 66°C (-31°F to 150.8°F)   |
| Specifications: Electrical    | Dielectric Voltage            | Withstands 2000V per UL 498  |
|                               | Current Interrupting          | Yes, at full-rated current   |
|                               | Temperature Rise              | Max. 30°C (86°F) after 100 cycles of overload @ 150% of rated current (DC)         |
|                               | Trip Time                     | 0.025 seconds (Class A)  |
|                               | Frequency                     | 60 Hz; Voltage: 125V; Amperage: 15A/20A with 20A Feed Through                      |
|                               | Short Circuit Testing         | Meets and exceeds 10 kA  |
|                               | Maximum Interrupting Capacity | 20 Amps  |
| Specifications: Mechanical    | Terminal Accommodation        | #14 - #10 AWG  |
|                               | Voltage Ratings               | Permanently marked on device   |
| Materials:                    | Top Housing                   | Thermoplastic, nylon   |
|                               | Lens                          | Thermoplastic, PC  |
|                               | Bottom Housing                | PVC  |
|                               | Strap                         | 0.047" thick steel, zinc plated  |
|                               | Line Contacts                 | 0.030" thick brass   |
|                               | Ground Contact                | 0.014" thick brass   |
|                               | Terminal Screws               | #8-32 steel, brass plated; neutral screw nickel plated                             |
|                               | Ground Screw                  | #8-32 steel, zinc plated, green  |
| Illumination:                 | Light Source                  | 4 LED's, 50 Max lumens output, 0.5Fc @ 0.9 ft<br>50,000 hours lamp life            |

Specifications and availability subject to change without notice.