

Temporary Power Centers

Project Name:	Prepared By:
Project Number:	Date:
Catalog Number:	Type:



Temporary Power Accessories

50A, 125/250 VAC

Accessories








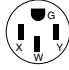

FEATURES

- Tough nylon housing resists impact in heavy-duty industrial environments.
- Insulated body on cord sets for extra measure of safety.
- Powerful cord-gripping capability helps eliminate conductor cord grip slip and strain on terminals.



PC50A

Cord Sets & Adapters

Rating A	VAC	Cord Length	Description	Plug (Male)	Connector (Female)	Catalog No.
50A	125/250	50 ft.	Non-NEMA 6/4 (6/3 & 8/1) Flexible Black Extension Cord	 CS6365EX	 CS6364EX	<input type="checkbox"/> PC50A
50A	125/250	100 ft.	Non-NEMA 6/4 (6/3 & 8/1) Flexible Black Extension Cord	 CS6365EX	 CS6364EX	<input type="checkbox"/> PC50B
50A	125/250	4 ft.	Non-NEMA 6/4 (6/3 & 8/1) Flexible Black Blank/Bare Wire Connector		 CS6364EX	<input type="checkbox"/> PA50-6
50A	125/250	4 ft.	NEMA 14-30P to 50A NON-NEMA Adapter	 5732AN	 CS6364EX	<input type="checkbox"/> A304WCSF
50A	125/250	4 ft.	NEMA 14-50P to 50A NON-NEMA Adapter	 5752AN	 CS6364EX	<input type="checkbox"/> A504WCSF

RhinoBox™ Replacement Devices

Description	Catalog No.
GFCI (Manual Reset)	<input type="checkbox"/> 20GFMODM
GFCI (Automatic Reset)	<input type="checkbox"/> 20GFMODA
50A Inlet without flip lid (for RB200 models)	<input type="checkbox"/> CS6375RB
50A Inlet with flip lid (for RB300 models)	<input type="checkbox"/> CS6376RB
50A Outlet	<input type="checkbox"/> CS6369RB
50A Outlet Flip Cover	<input type="checkbox"/> 7788BK
30A Locking Receptacle	<input type="checkbox"/> L630R
30A Locking Receptacle Flip Cover	<input type="checkbox"/> WP2
20A Locking Receptacle	<input type="checkbox"/> L520R
20A Locking Receptacle Flip Cover	<input type="checkbox"/> WP2BK
20A Single Straight Blade Receptacle	<input type="checkbox"/> 1877BK

TESTING & CODE COMPLIANCE

- Pro-Grip Plug & Connector listed to UL 498, file no. E3663.
- Cord listed to UL 62.
- cUL Certified to CSA 22.2 no. 42.
- ANSI/UL 489-2006.
- NOM certified.

MATERIAL CHARACTERISTICS

- Pro-Grip Cord Sets:
- Outer shell: impact modified nylon
 - Interior body: glass-filled nylon
 - Terminal clamps & screws: brass alloy, zinc-plated
 - Gasket: neoprene rubber

Temporary Power Centers

Specification & Performance Data

Project Name:	Prepared By:
Project Number:	Date:
Catalog Number:	Type:



Temporary Power Accessories

50A, 125/250 VAC

Accessories

General maintenance and repair work in industrial facilities; temporary power distribution at construction sites, ship building facilities, expositions, theater, outdoor entertainment, film making, and any other location where temporary power distribution is needed.

Pro-Grip™ Cord Sets	PC50A	PC50B	PA50-6
Rated Supply Amperage / Voltage	50A, 125/250 V/AC	50A, 125/250 V/AC	50A, 125/250 V/AC
Cord Length	50 feet (15.24m)	100 feet (30.48m)	4 feet (1.422m)
Description	6/4 (6/3 & 8/1) flexible extension cord, blank/bare wire connector	6/4 (6/3 & 8/1) flexible extension cord	6/4 (6/3 & 8/1) flexible extension cord
Color	Black	Black	Black
NEMA	Non-NEMA	Non-NEMA	Non-NEMA
Materials:			
Outer Shell	Impact-modified nylon	Impact-modified nylon	Impact-modified nylon
Interior Body	Glass-filled nylon	Glass-filled nylon	Glass-filled nylon
Terminal Clamps & Screws	Brass alloy, zinc-plated	Brass alloy, zinc-plated	Brass alloy, zinc-plated
Gasket	Neoprene rubber	Neoprene rubber	Neoprene rubber
Plug (Male) Cat. No.	CS6365EX	CS6365EX	–
Connector (Female) Cat. No.	CS6364EX	CS6364EX	CS6364EX
Testing & Code Compliance	Plug & Connector: UL 498, Cord: UL 62, cUL certified to CSA 22.2 no. 42 ANSI/UL 489-2008, NOM Certified	Plug & Connector: UL 498, Cord: UL 62, cUL certified to CSA 22.2 no. 42 ANSI/UL 489-2008, NOM Certified	Plug & Connector: UL 498, Cord: UL 62, cUL certified to CSA 22.2 no. 42 ANSI/UL 489-2008, NOM Certified
RhinoBox™ Adapters	Y50	A304WCSF	A504WCSF
Rated Supply Amperage / Voltage	50A, 125/250 V/AC	50A, 125/250 V/AC	50A, 125/250 V/AC
Cord Length	–	–	–
Description	Y adapter One plug to two adapters	2-way adapter One 14-30P plug to one 50A adapter	2-way adapter One 14-30P plug to one 50A adapter
Color	Black	Black	Black
NEMA	Non-NEMA	NEMA & Non-NEMA	NEMA & Non-NEMA
Plug (Male) Cat. No.	CS6365EX	5732AN	5752AN
Connector (Female) Cat. No.	CS6364EX	CS6364EX	CS6364EX
Testing & Code Compliance	Plug & Connector: UL 498, Cord: UL 62, cUL certified to CSA 22.2 no. 42 ANSI/UL 489-2008, NOM Certified	Plug & Connector: UL 498, Cord: UL 62, cUL certified to CSA 22.2 no. 42 ANSI/UL 489-2008, NOM Certified	Plug & Connector: UL 498, Cord: UL 62, cUL certified to CSA 22.2 no. 42 ANSI/UL 489-2008, NOM Certified