

**SUITABLE REPLACEMENT FOR
FEDERAL PACIFIC ELECTRIC®**



# of Poles	AMP Rating	Catalog Number	UPC
1	15	UBIF015N	0 94925 01930 8
1	20	UBIF020N	0 94925 01931 5
1	30	UBIF030N	0 94925 01932 2
1	40	UBIF040N	0 94925 41818 7
1	50	UBIF050N	0 94925 41819 4
Sleeve Count: 20 Case Count: 60			
‡SWD Rating applies to the switching of 15 & 20 amp fluorescent lighting circuits only!			
2	15	UBIF0215N	0 94925 41810 1
2	20	UBIF0220N	0 94925 01933 9
2	25	UBIF0225N	0 94925 00120 4
2	30	UBIF0230N	0 94925 01934 6
2	35	UBIF0235N	0 94925 00335 2
2	40	UBIF0240N	0 94925 01935 3
2	45	UBIF0245N	0 94925 00337 6
2	50	UBIF0250N	0 94925 01936 0
Sleeve Count: 10 Case Count: 30			

**Thin Series
One Pole-Plug In**

Requires 1/2 of One 1" Space

SWD Rated‡
120VAC
10,000 AIC

Corresponds to Federal Pacific Electric® Stab-Lok® NC One Pole Series

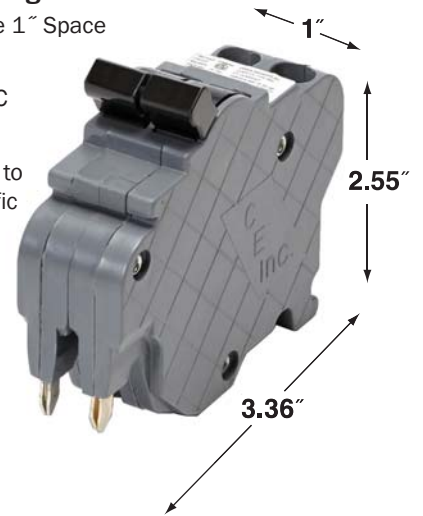


**Thin Series
Two Pole-Plug In**

Requires One 1" Space

HACR
120/240 VAC
10,000 AIC

Corresponds to Federal Pacific Electric® Stab-Lok® NC Two Pole Series



**Call us or login to your web account
for current price and availability!**

No web account?

Go to: www.connecticut-electric.com

