



Solid Plastic seat

Institutional • Commercial • Residential

AM2300



DETAILS

AM2300STSCC

Juvenile (baby bowl) plastic seat, heavy-duty, open front, less cover. Stainless steel check-hinge with gasket, metal flat washers, lock washers and stainless steel nuts.

Standard Features:

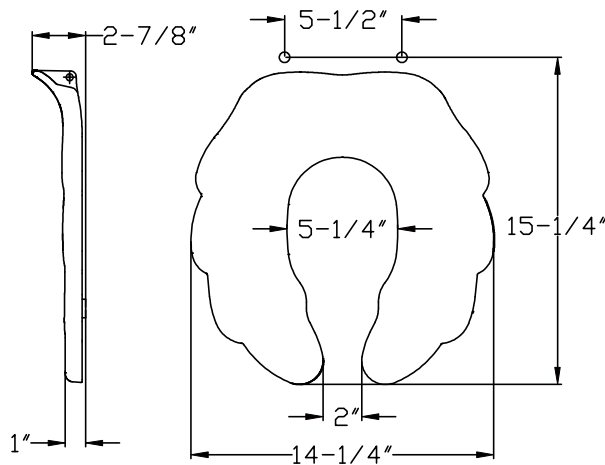
- Corrosion-free stainless steel hinge posts
- Integrally-molded, permanent and sanitary colour-keyed bumpers
- Check-hinge posts
- Corrosion-free hardware
- Withstands cleansers, strong chemicals

U.S. :

Antimicrobial additive inhibits the growth of stain and odor causing bacteria on the surface.

CANADA :

Contains CESA-MB8233 as a preservative for the protection of this article.



Dimensions shown are nominal and may vary within a range of tolerance.