



Solid Plastic Seats Round

Residential • Institutional • Commercial

440 SERIES



460 SERIES



DETAILS

440TM

Luxury closed front with cover for regular bowl. Top-mount hinge.

440STS

Extra heavy-duty, closed front with cover for regular bowl. Stainless steel check-hinge.

440STSS

Extra heavy-duty, closed front with cover for regular bowl. Self-sustaining stainless steel check-hinge.

460TM

Open front with cover for regular bowl. Top-mount hinge. For light-duty commercial use.

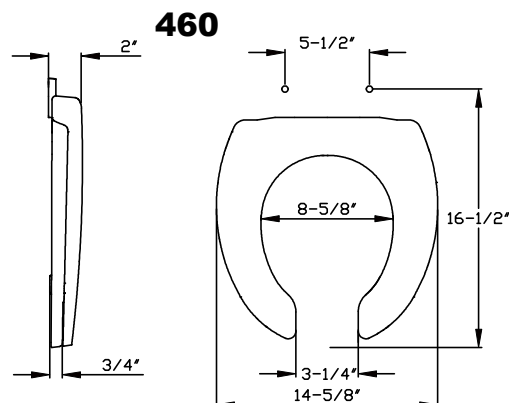
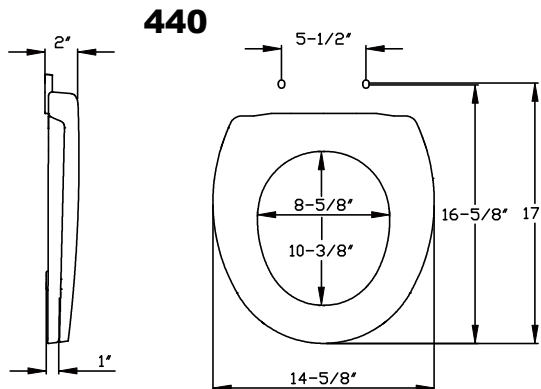
460STS

Extra heavy-duty, open front with cover for regular bowl. Stainless steel reinforced check-hinge. For commercial use.

Standard Features:

- Impact-absorbing hinges
- Extended back with concealed hinge
- Integrally-molded, permanent and sanitary color-keyed bumpers
- Corrosion-free hardware
- Withstands cleansers, strong chemicals

Dimensions shown are nominal and may vary within a range of tolerance.



www.centoco.com

Centoco Customer Service: Canada 519-948-2300 • U.S. 1-800-265-3666