

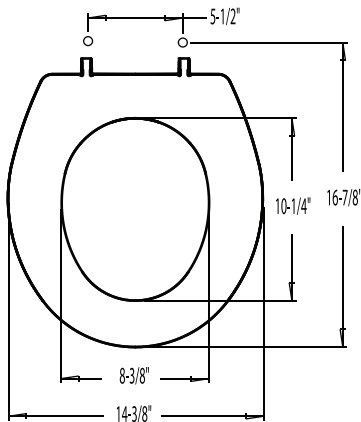
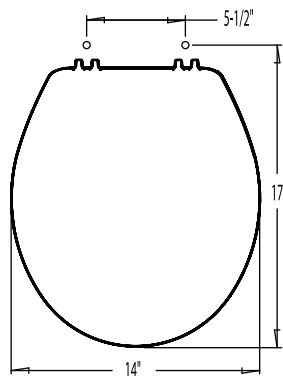


Molded Wood Seats Regular

Residential



Chrome Brass Brushed Nickel Oil Rub



DETAILS

700

Molded wood seat for regular bowl. Durable polypropylene skin-over-wood core that won't chip, dent, flatten, flake, scratch or fade.

Standard Features:

- Top mount for easy installation
- Impact-absorbing hinges, no screws to rust or pull out of core
- Integrally-molded, permanent and sanitary color-keyed bumpers will not fall off like conventional wood composition seats
- Corrosion-free hardware
- Withstands cleansers, strong chemicals
- Won't crack, chip or peel like conventional wood composition seats
- Designed for easy cleaning
- Produced using Centoco's patented process

Metal Hinge Features:

- Metal hinges and cross bar made of aluminum with protective finish

| Seat Color | Code # | 700 |
|------------|--------|-----|
| White | 001 | ● □ |
| Biscuit | 416 | ● □ |
| Bone | 106-A | ● □ |

| Hinge Color | Code # | 700 |
|----------------------|--------|-----|
| Plastic White Hinge | | ● □ |
| Chrome Hinge | CH | ● □ |
| Brass Hinge | BR | ● □ |
| Brushed Nickel Hinge | BN | ● □ |
| Oil Rub Finish Hinge | OR | ● □ |

Canada ● U.S. □