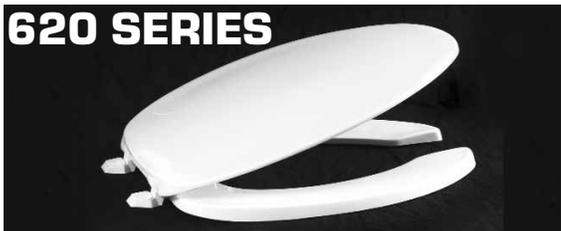
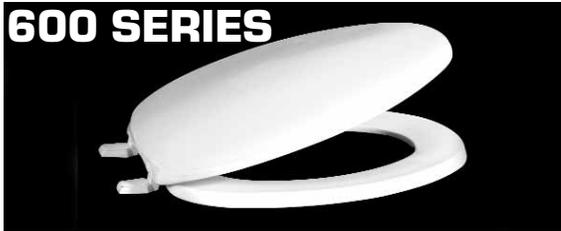




# Solid Plastic Seats Elongated

## Residential • Light-Duty Commercial



### DETAILS

#### 600

Closed front with cover for elongated bowl.  
Top-mount hinge.

#### 620

Open front with cover for elongated bowl.  
Top-mount hinge. For light-duty commercial use.

#### 630

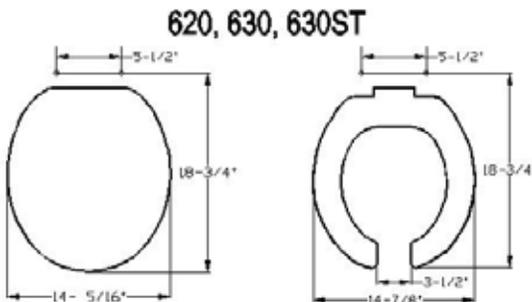
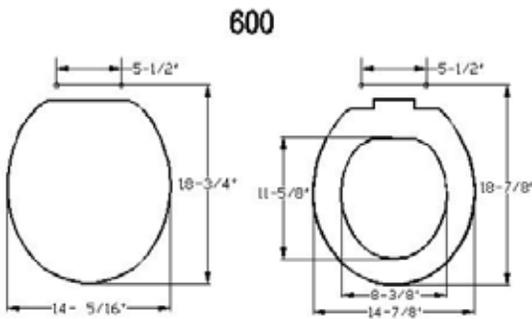
Open front less cover for elongated bowl.  
Top-mount hinge. For light-duty commercial use.

#### 630ST

Open front less cover for elongated bowl.  
Plated steel hinge. For light-duty commercial use.

#### Standard Features:

- Extended back
- Integrally-molded, permanent and sanitary color-keyed bumpers
- Corrosion-free hardware
- Withstands cleansers, strong chemicals



Color	Code #	600	620	630ST
White	001	● □	● □	● □
Cotton/Crane White	301	●	● □	
Linen/Biscuit	416	● □		
Black	407	● □		● □
Bone/Almond	106-A	● □	● □	

Canada ● U.S. □