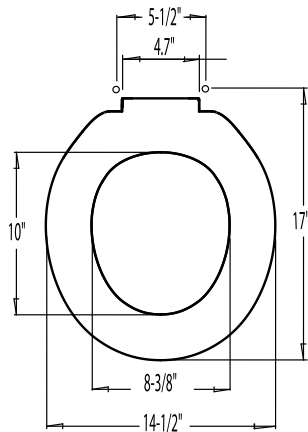
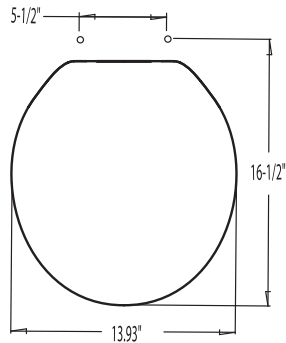




Solid Plastic Seats Regular

Residential • Light-Duty Commercial

200



DETAILS

200

Closed front with cover for regular bowl.
Top-mount hinge.

Standard Features:

- Impact-absorbing hinges
- Flat-bottom design
- Integrally-molded, permanent and sanitary color-keyed bumpers
- Corrosion-free hardware
- Withstands cleansers, strong chemicals

Color	Code #	200
White	001	● □
Cotton/Crane White	301	● □
Linen/Biscuit	416	● □
Black	407	□
Bone/Almond	106-A	● □

Canada ● U.S. □