

# Central Brass

COMPANY

Brecksville, Ohio 44141

Phone: (216) 883-0220 Fax: (440) 526-5745

www.CentralBrass.com

**MODEL NO. 1137-DA**  
**1137-DA-Q    81137-DA**  
**CENTERSET LAVATORY FITTING**  
**with POP-UP DRAIN**

O-Ring Compression

**1137-DA**

1/4-Turn Compression

**1137-DA-Q**

Ceramic Units

**81137-DA**

The lavatory centerset is designed with a solid cast brass body with shanks located on four inch centers for supply connections and mounting. The stems are all brass, with a double O-Ring seal and rubber seat washer (for compression stems) or ceramic sealing discs (for ceramic units). The canopy handles are zinc die cast with a chrome plated finish. The faucet body is polished and copper, nickel, and chrome plated. The faucet is fitted with a water saving aerator that limits the flow rate. The pop up drain is brass with a chrome plated finish. The stopper and guide assembly can be easily removed for cleaning.

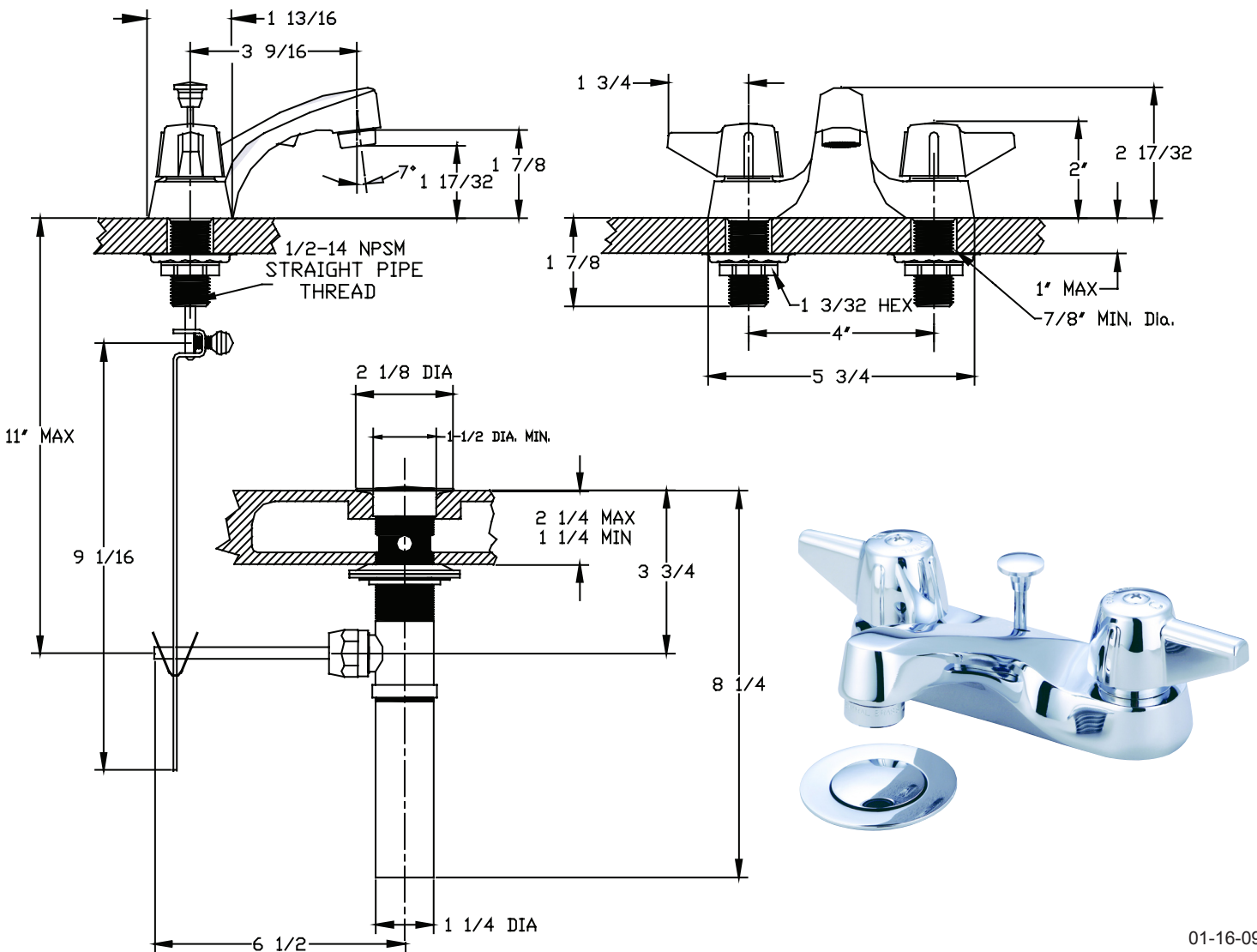
Flow Rate: 2.0 GPM @ 60 psi

ADA Compliant and Meets ASME A112.18.1M

Certified by IAPMO R&T to NSF/ANSI 61



## Installation Drawing



# Central Brass

C O M P A N Y

Brecksville, Ohio 44141

Phone: (216) 883-0220 Fax: (440) 526-5745

www.CentralBrass.com

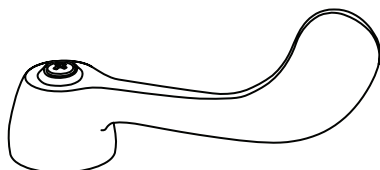
MODEL NO. 1137-DA  
1137-DA-Q 81137-DA  
CENTERSET LAVATORY FITTING  
with POP-UP DRAIN

*Handle variations available*



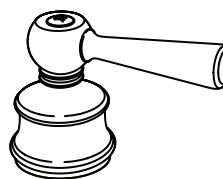
Faucets with lever, wrist or elbow handles with compression or ceramic stem cartridges are ADA compliant.

ELS - Suffix  
Wrist 4-inch  
EL - Suffix  
Elbow 6-inch



G-4147 (4-inch)  
G-4149 (6-inch)

Prefix  
10, 18, 20, 28  
Villager Lever



K-512-02 (chrome)  
K-512-15 (white)

- If faucet has lever handles, use one Hot and one Cold stem assemblies