

# Central Brass

C O M P A N Y

Brecksville, Ohio 44141

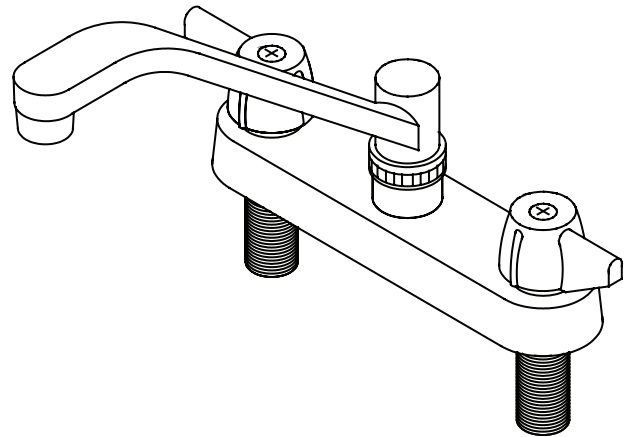
Phone: (216) 883-0220 Fax: (440) 526-5745

www.CentralBrass.com

**MODEL NO. 0127-A  
KITCHEN TOPMOUNT**

The 6-inch center topmounted kitchen faucet has a cast brass body that is copper, nickel and chrome plated. The compression stems are all brass with a double O-Ring seal and rubber seat washer. The canopy handles are zinc die cast with a chrome plated finish. The 8-inch swivel "D" spout is brass with a chrome plated finish and is fitted with a water saving aerator that limits the flow rate. The O-Rings and seals are rubber.

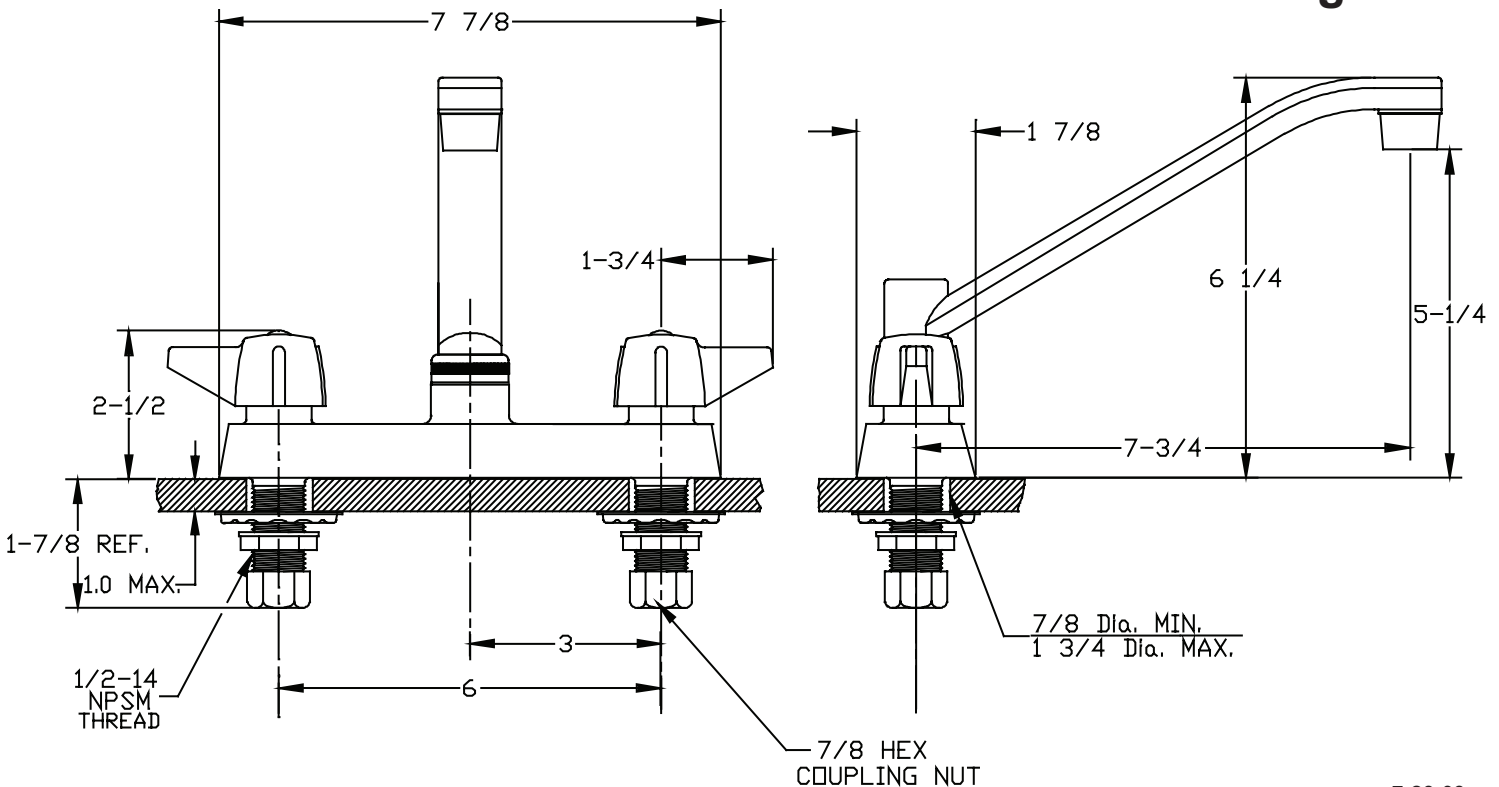
Flow Rate: 2.0 GPM @ 60 psi  
ADA Compliant and Meets ASME A112.18.1M  
ANSI/NSF 61/Section 9 Certified



Certified to  
ANSI/NSF 61 Section 9



## Installation Drawing



# Central Brass

C O M P A N Y

Brecksville, Ohio 44141

Phone: (216) 883-0220 Fax: (440) 526-5745

www.CentralBrass.com

**MODEL NO. 0127-A  
KITCHEN TOPMOUNT**

Suffix Options  
& Accessories

## Handle variations available

Wrist 4-inch

Elbow 6-inch



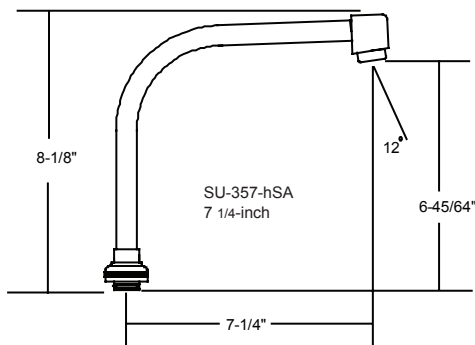
G-4147 (4-inch)  
G-4149 (6-inch)



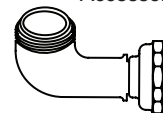
Faucets with lever, wrist or elbow handles with compression or ceramic stem cartridges are ADA compliant.

## Spout variations available

A8 - Suffix  
7 1/4-inch High-Rise Swivel Spout

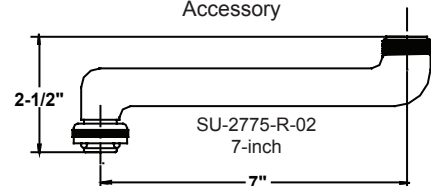


Wall Mount  
Spout Adaptor  
Accessory



G-1748-88W

Cast Brass Spout  
Extension  
Accessory



Drinking water products tested and certified by NSF International to ANSI/NSF Standard 61, Section 9. Each product required to meet the standard proudly exhibits the NSF logo.