

Central Brass

COMPANY

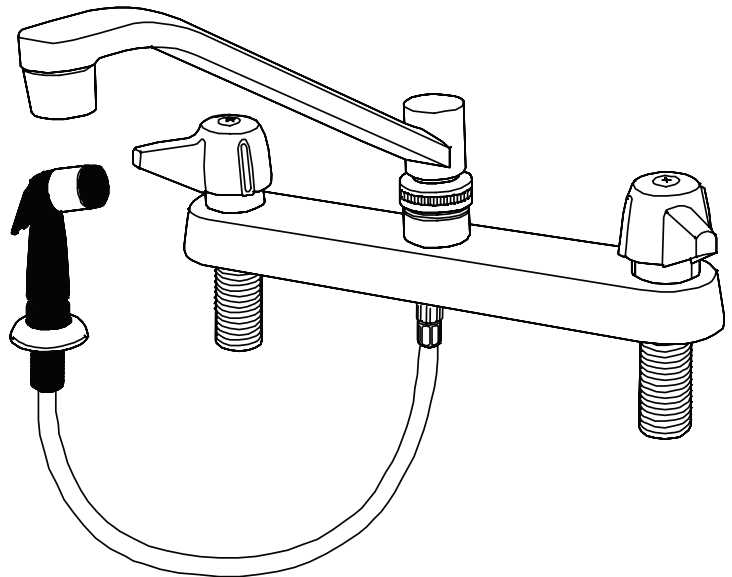
Brecksville, Ohio 44141
 Phone: (216) 883-0220 Fax: (440) 526-5745
 www.CentralBrass.com

MODEL NOS.
0123-A 0123-A-Q 80123-A
KITCHEN TOPMOUNT

O-Ring Compression 1/4-Turn Compression
0123-A **0123-A-Q**

Ceramic Units
80123-A

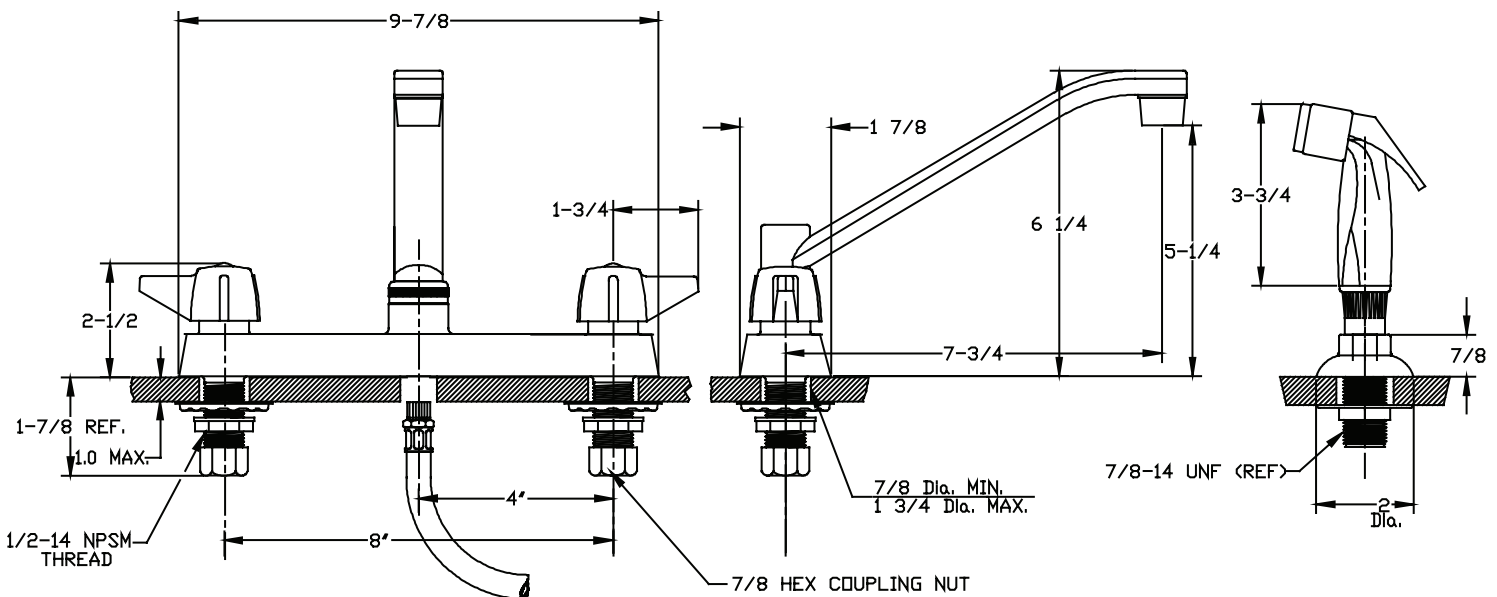
The 8-inch center topmounted kitchen faucet has a cast brass body that is copper, nickel and chrome plated. The stems are all brass, with a double O-Ring seal and rubber seat washer (for compression stems) or ceramic sealing discs (for ceramic units). The canopy handles are zinc die cast with a chrome plated finish. The 8-inch swivel "D" spout is brass with a chrome plated finish and is fitted with a water saving aerator that limits the flow rate. The O-Rings and seals are rubber. The faucet has a spray rinse attachment that is connected with a 48-inch long nylon hose with a chrome plated guide.



Flow Rate: 2.0 GPM @ 60 psi
 ADA Compliant and Meets ASME A112.18.1M
 ANSI/NSF 61/Section 9 Certified



Installation Drawing



Central Brass C O M P A N Y

Brecksville, Ohio 44141
Phone: (216) 883-0220 Fax: (440) 526-5745
www.CentralBrass.com

MODEL NOS.
0123-A 0123-A-Q 80123-A
KITCHEN TOPMOUNT

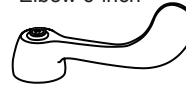
Suffix Options & Accessories



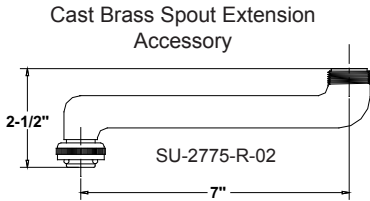
Faucets with lever, wrist or elbow handles with compression or ceramic stem cartridges are ADA compliant.

Handle variations available

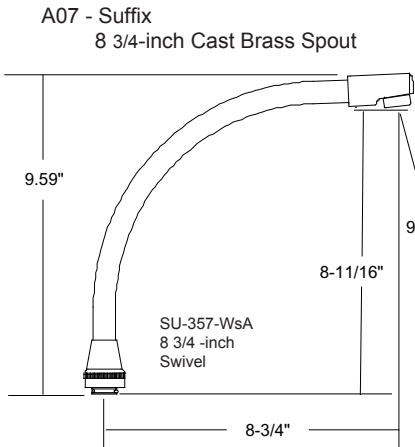
ELS - Suffix
Wrist 4-inch
EL - Suffix
Elbow 6-inch



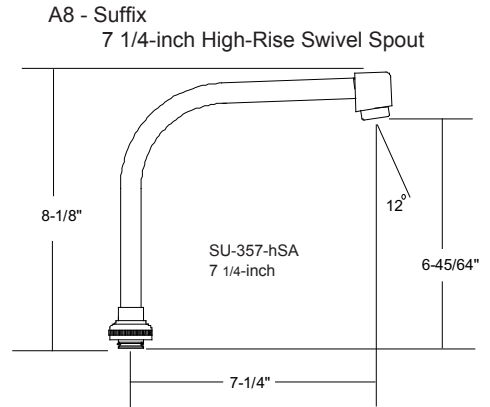
G-4147 (4-inch)
G-4149 (6-inch)



Spout variations available



NSF Drinking water products tested and certified by NSF International to ANSI/NSF Standard 61, Section 9. Each product required to meet the standard proudly exhibits the NSF logo.



GSA - Suffix
4 3/32 Swivel Gooseneck Spout
GRA - Suffix
4 3/32 Rigid Gooseneck Spout

KSA - Suffix
5 1/2 Swivel Gooseneck Spout
KRA - Suffix
5 1/2 Rigid Gooseneck Spout

