

Central Brass

COMPANY

Brecksville, Ohio 44141
Phone: (216) 883-0220 Fax: (440) 526-5745
www.CentralBrass.com

MODEL NOS.
0122-A 0122-A-Q 80122-A
KITCHEN TOPMOUNT

O-Ring Compression 1/4-Turn Compression Ceramic Units
0122-A **0122-A-Q** **80122-A**

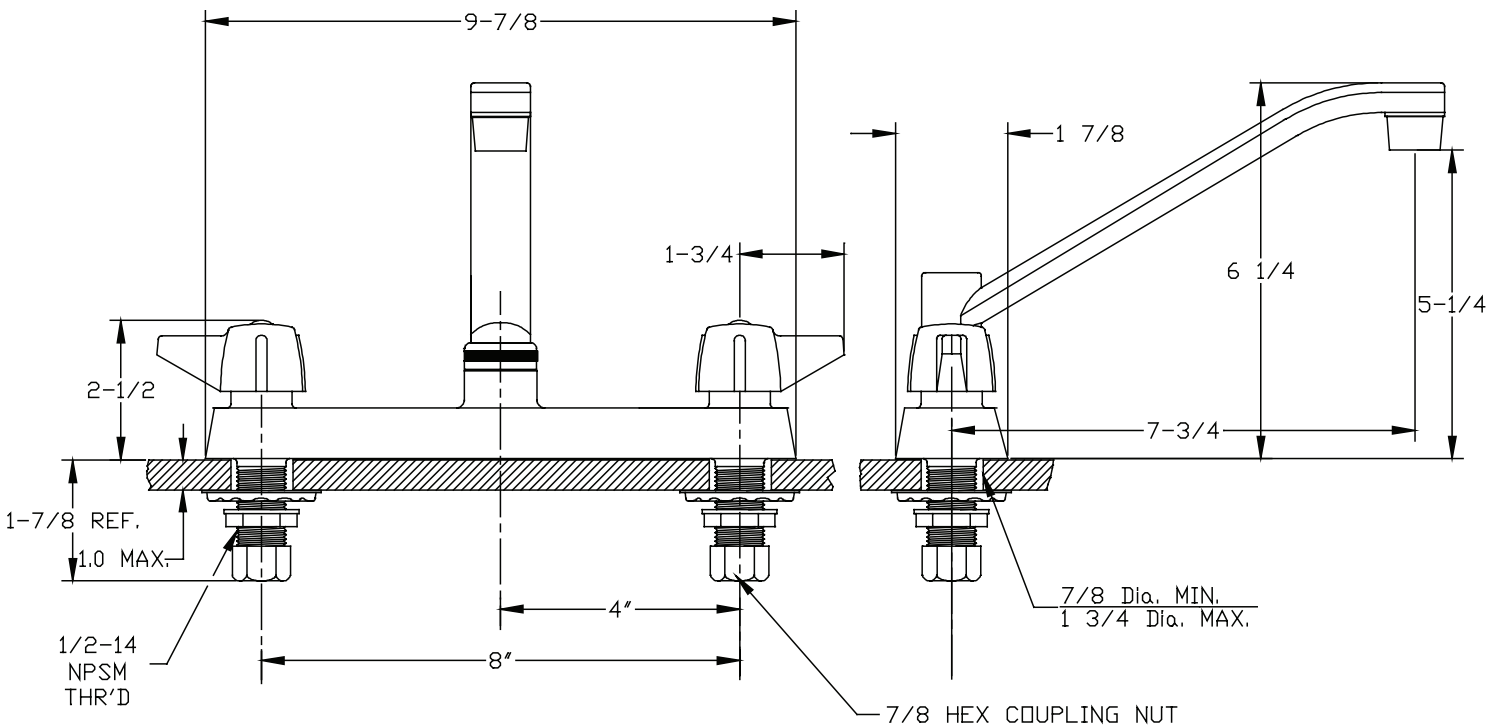
The 8-inch center topmounted kitchen faucet has a cast brass body that is copper, nickel and chrome plated. The stems are all brass, with a double O-Ring seal and rubber seat washer (for compression stems) or ceramic sealing discs (for ceramic units). The canopy handles are zinc die cast with a chrome plated finish. The 8-inch swivel "D" spout is brass with a chrome plated finish and is fitted with a water saving aerator that limits the flow rate. The O-Rings and seals are rubber.



Flow Rate: 2.0 GPM @ 60 psi
ADA Compliant and Meets ASME A112.18.1M
Certified by IAPMO R&T to NSF/ANSI 61



Installation Drawing



Central Brass

COMPANY

Brecksville, Ohio 44141
 Phone: (216) 883-0220 Fax: (440) 526-5745
 www.CentralBrass.com

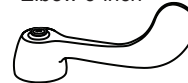
MODEL NOS.
0122-A 0122-A-Q 80122-A
KITCHEN TOPMOUNT



Faucets with lever, wrist or elbow handles with compression or ceramic stem cartridges are ADA compliant.

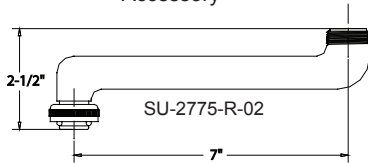
Handle variations available

ELS - Suffix
 Wrist 4-inch
 EL - Suffix
 Elbow 6-inch

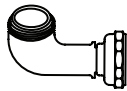


G-4147 (4-inch)
 G-4149 (6-inch)

Cast Brass Spout Extension
 Accessory



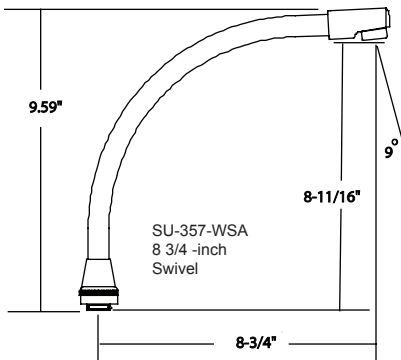
Wall Mount
 Spout Adaptor
 Accessory



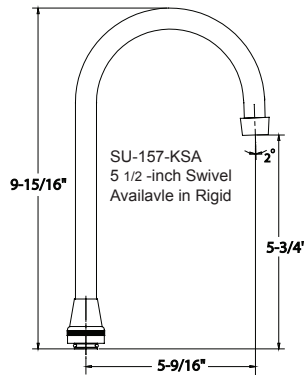
G-1748-88W

Spout variations available

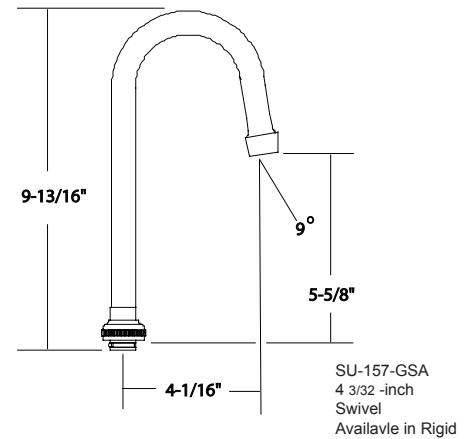
A07 - Suffix
 8 3/4-inch Cast Brass Spout



KSA - Suffix
 5 1/2 Swivel Gooseneck Spout
 KRA - Suffix
 5 1/2 Rigid Gooseneck Spout



GSA - Suffix
 4 3/32 Swivel Gooseneck Spout
 GRA - Suffix
 4 3/32 Rigid Gooseneck Spout



A8 - Suffix
 7 1/4-inch High-Rise Swivel Spout

