

Central Brass

COMPANY

Brecksville, Ohio 44141

Phone: (216) 883-0220 Fax: (440) 526-5745

www.CentralBrass.com

MODEL NO. 0094-A
BAR/LAUNDRY FAUCET

O-Ring Compression 1/4-Turn Compression

0094-A

0094-A-Q

The 4-inch center shell topmounted bar/laundry faucet has a cast brass body and zinc shell that are copper, nickel and chrome plated. The compression stems are all brass with a double O-Ring seal and rubber seat washer. The canopy handles are zinc die cast with a chrome plated finish. The 6-inch swivel spout is brass with a chrome plated finish and is fitted with a water saving aerator that limits the flow rate. The O-Rings and seals are rubber.



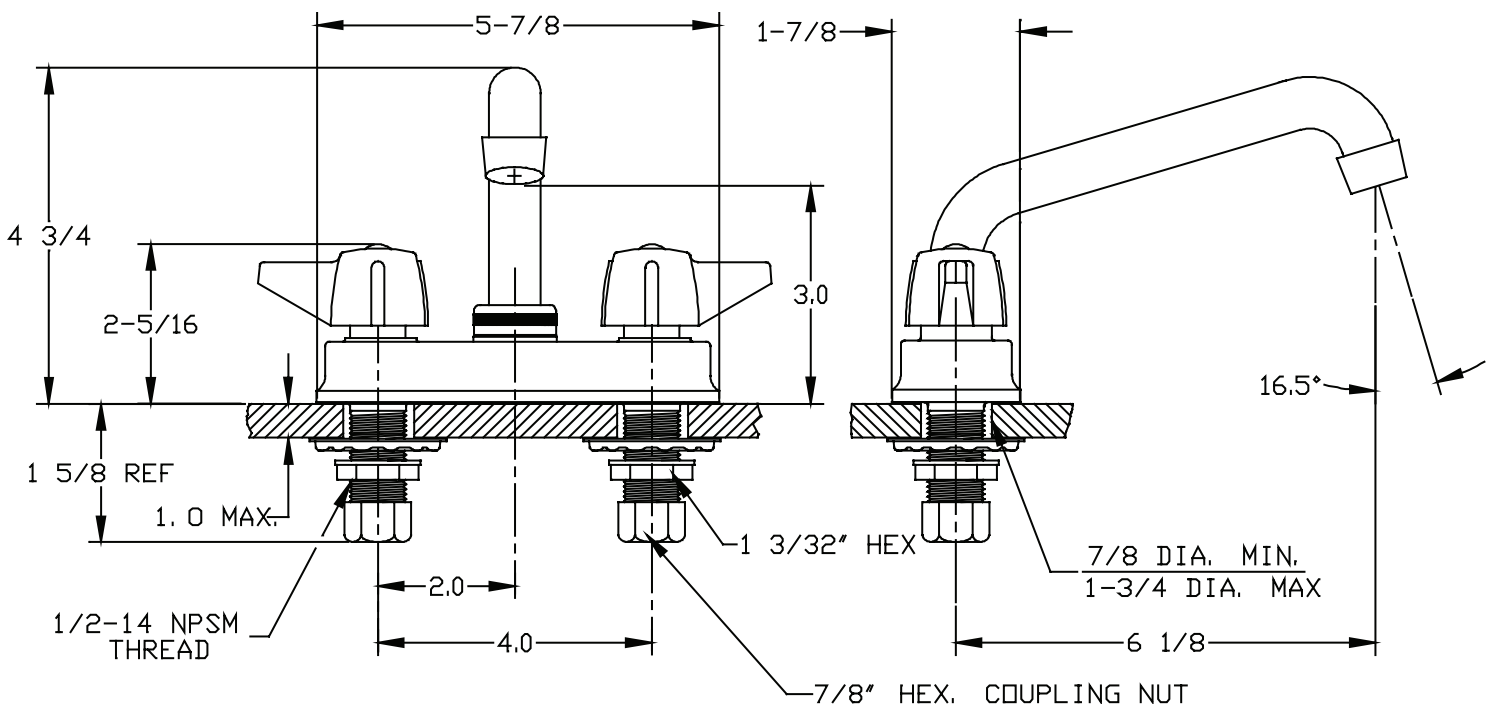
Flow Rate: 2.0 GPM @ 60 psi

ADA Compliant and Meets ASME A112.18.1M

Certified by IAPMO R&T to NSF/ANSI 61



Installation Drawing



Central Brass

C O M P A N Y

Brecksville, Ohio 44141

Phone: (216) 883-0220 Fax: (440) 526-5745

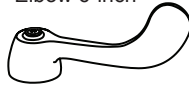
www.CentralBrass.com

**MODEL NO. 0094-A
BAR/LAUNDRY FAUCET**

Suffix Options & Accessories

Handle variations available

ELS - Suffix
Wrist 4-inch
EL - Suffix
Elbow 6-inch



G-4147 (4-inch)
G-4149 (6-inch)

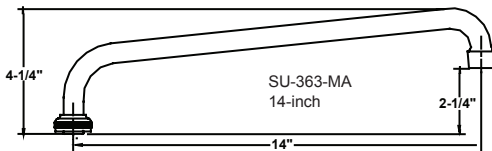


Faucets with lever, wrist or elbow handles with compression or ceramic stem cartridges are ADA compliant.

Spout variations available

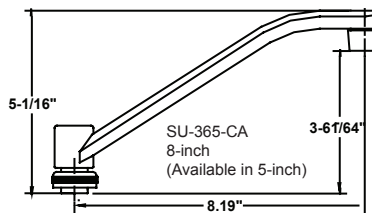
- A1 - Suffix
8-inch Brass Tube Spout
- A2 - Suffix
10-inch Brass Tube Spout
- A3 - Suffix
12-inch Brass Tube Spout
- A4 - Suffix
14-inch Brass Tube Spout

H - Suffix replaces A for hose end

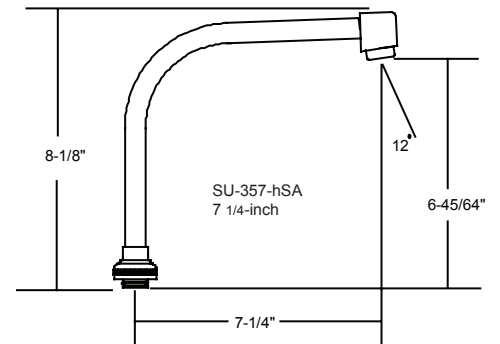


- A6 - Suffix
8-inch Brass D-Spout

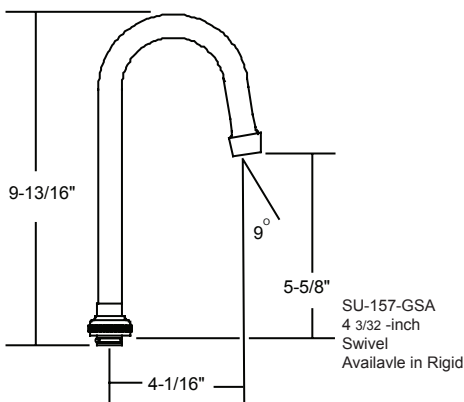
H - Suffix replaces A for hose end



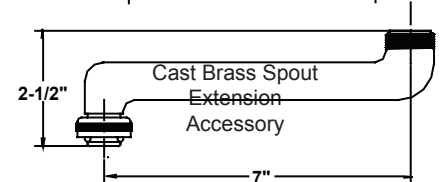
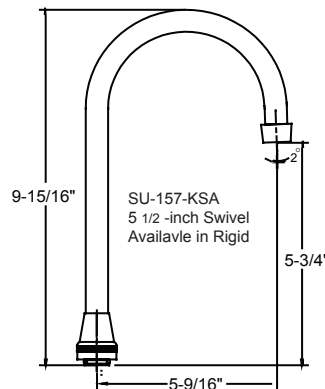
- A8 - Suffix
7 1/4-inch High-Rise Swivel Spout



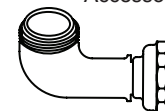
- GSA - Suffix
4 3/32 Swivel Gooseneck Spout
- GRA - Suffix
4 3/32 Rigid Gooseneck Spout



- KSA - Suffix
5 1/2 Swivel Gooseneck Spout
- KRA - Suffix
5 1/2 Rigid Gooseneck Spout



Wall Mount
Spout Adaptor
Accessory



G-1748-88W