

Central Brass

C O M P A N Y

Brecksville, Ohio 44141

Phone: (216) 883-0220 Fax: (440) 526-5745

www.CentralBrass.com

MODEL NOS.
0047-UA 80047-UA
SINK FIXTURE

O-Ring Compression 1/4-Turn Compression Ceramic Units
0047-UA **0047-UA-Q** **80047-UA**

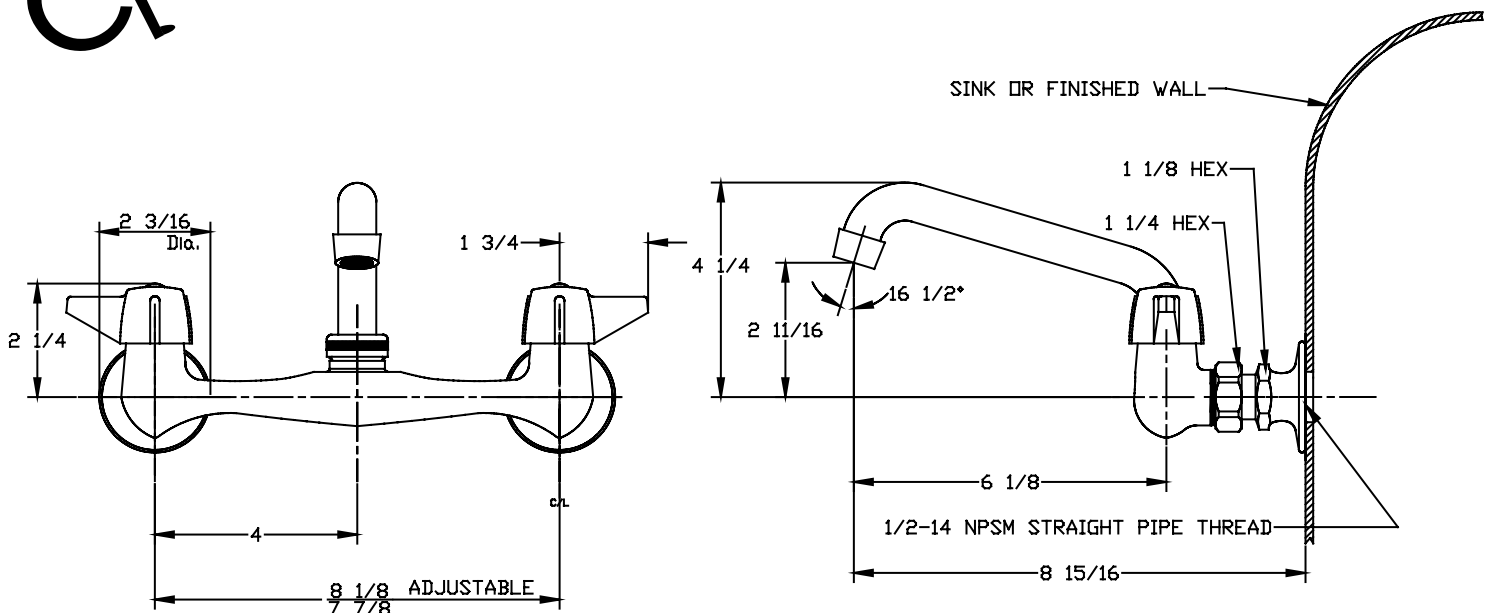
The wall mounted sink fitting is designed with a solid cast brass body with replaceable seats. The flanges are all brass and have 1/2-inch female pipe connections. The inlet supply location is adjustable by rotating the flange to obtain a 1/4-inch center variation. The 6-inch spout has a water saving aerator that limits the flow. The stems are all brass, with a double O-Ring seal and rubber seat washer (for compression stems) or ceramic sealing discs (for ceramic units). The canopy handles are zinc die cast with a chrome plated finish. The faucet and flanges are polished and copper, nickel, and chrome plated.



Flow Rate: 2.0 GPM @ 60 psi
ADA Compliant and Meets ASME A112.18.1M
Certified by IAPMO R&T to NSF/ANSI 61



Installation Drawing



Central Brass

COMPANY

Brecksville, Ohio 44141

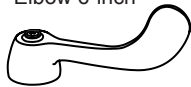
Phone: (216) 883-0220 Fax: (440) 526-5745

www.CentralBrass.com

MODEL NOS.
0047-UA 80047-UA
SINK FIXTURE

Handle variations available

ELS - Suffix
Wrist 4-inch
EL - Suffix
Elbow 6-inch

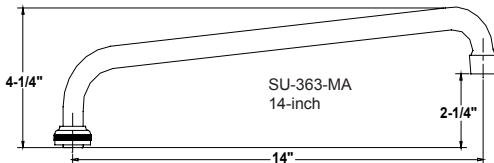


G-4147 (4-inch)
G-4149 (6-inch)

Spout variations available

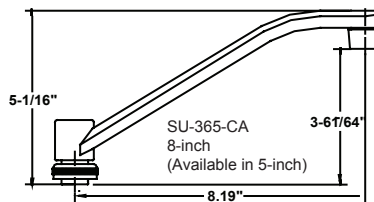
- A1 - Suffix
8-inch Brass Tube Spout
- A2 - Suffix
10-inch Brass Tube Spout
- A3 - Suffix
12-inch Brass Tube Spout
- A4 - Suffix
14-inch Brass Tube Spout

H - Suffix replaces A for hose end



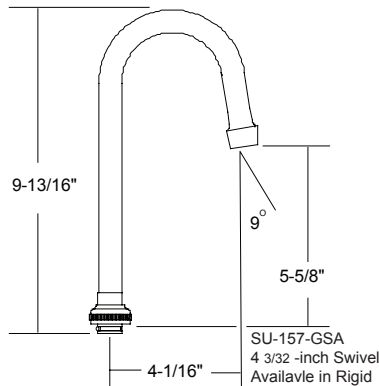
- A6 - Suffix
8-inch Brass D-Spout

H - Suffix replaces A for hose end



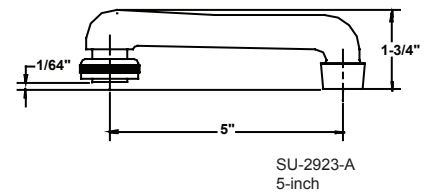
- GSA - Suffix
4 3/32 Swivel Gooseneck Spout
- GRA - Suffix
4 3/32 Rigid Gooseneck Spout

H - Suffix replaces A for hose end



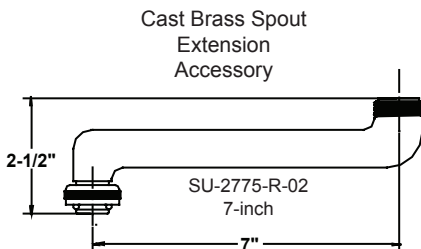
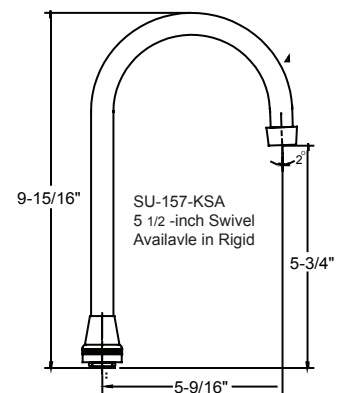
- A9 - Suffix
5-inch Cast Brass Spout

H - Suffix replaces A for hose end



- KSA - Suffix
5 1/2 Swivel Gooseneck Spout
- KRA - Suffix
5 1/2 Rigid Gooseneck Spout

H - Suffix replaces A for hose end



Faucets with lever, wrist or elbow handles with compression or ceramic stem cartridges are ADA compliant.