

# Central Brass

COMPANY

Brecksville, Ohio 44141

Phone: (216) 883-0220 Fax: (440) 526-5745

www.CentralBrass.com

MODEL NOS.  
0047-TA    80047-TA  
SINK FIXTURE

O-Ring Compression    1/4-Turn Compression    Ceramic Units  
**0047-TA**                    **0047-TA-Q**                    **80047-TA**

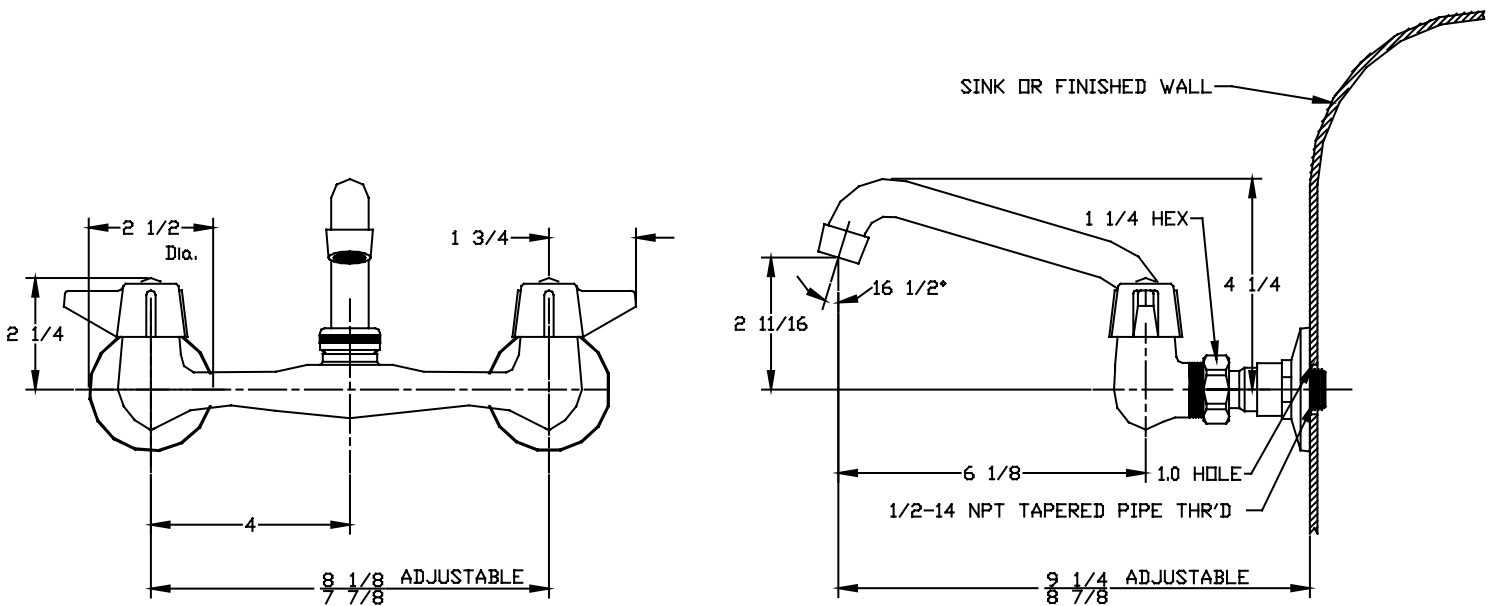
The wall mounted sink fitting is designed with a solid cast brass body with replaceable seats. The flanges are all brass and have 1/2-inch male pipe connections. The inlet supply location is adjustable by rotating the flange to obtain a 1/4-inch center variation. The 6-inch spout has a water saving aerator that limits the flow. The stems are all brass, with a double O-Ring seal and rubber seat washer (for compression stems) or ceramic sealing discs (for ceramic units). The canopy handles are zinc die cast with a chrome plated finish. The faucet and flanges are polished and copper, nickel, and chrome plated.



Flow Rate: 2.0 GPM @ 60 psi  
ADA Compliant and Meets ASME A112.18.1M  
Certified by IAPMO R&T to NSF/ANSI 61



## Installation Drawing



# Central Brass

COMPANY

Brecksville, Ohio 44141

Phone: (216) 883-0220 Fax: (440) 526-5745

www.CentralBrass.com

**MODEL NOS.**  
**0047-TA 80047-TA**  
**SINK FIXTURE**

## Handle variations available

ELS - Suffix  
 Wrist 4-inch  
 EL - Suffix  
 Elbow 6-inch



G-4147 (4-inch)  
 G-4149 (6-inch)

## Suffix Options & Accessories

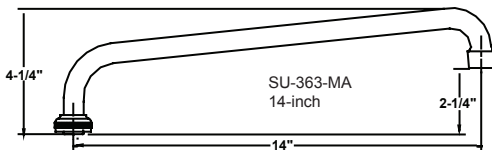


Faucets with lever, wrist or elbow handles with compression or ceramic stem cartridges are ADA compliant.

## Spout variations available

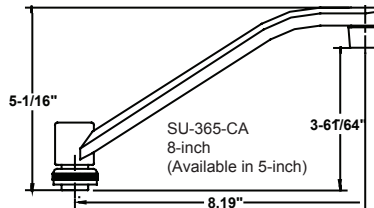
- A1 - Suffix  
8-inch Brass Tube Spout
- A2 - Suffix  
10-inch Brass Tube Spout
- A3 - Suffix  
12-inch Brass Tube Spout
- A4 - Suffix  
14-inch Brass Tube Spout

H - Suffix replaces A for hose end



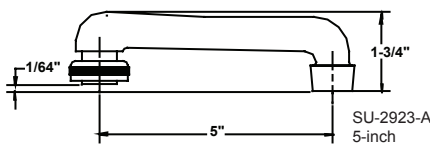
- A6 - Suffix  
8-inch Brass D-Spout

H - Suffix replaces A for hose end

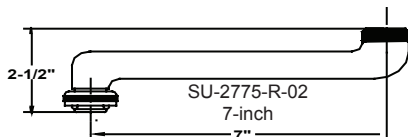


- A9 - Suffix  
5-inch Cast Brass Spout

H - Suffix replaces A for hose end

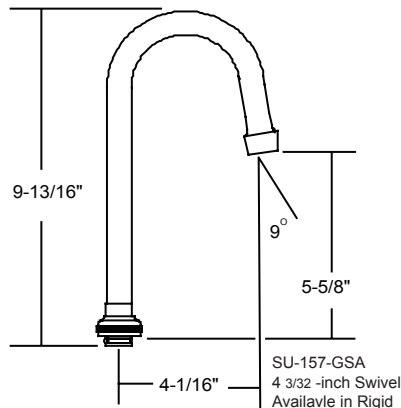


Cast Brass Spout  
 Extension  
 Accessory



- GSA - Suffix  
4 3/32 Swivel Gooseneck Spout
- GRA - Suffix  
4 3/32 Rigid Gooseneck Spout

H - Suffix replaces A for hose end



- KSA - Suffix  
5 1/2 Swivel Gooseneck Spout
- KRA - Suffix  
5 1/2 Rigid Gooseneck Spout

H - Suffix replaces A for hose end

