

# Central Brass

C O M P A N Y

Brecksville, Ohio 44141

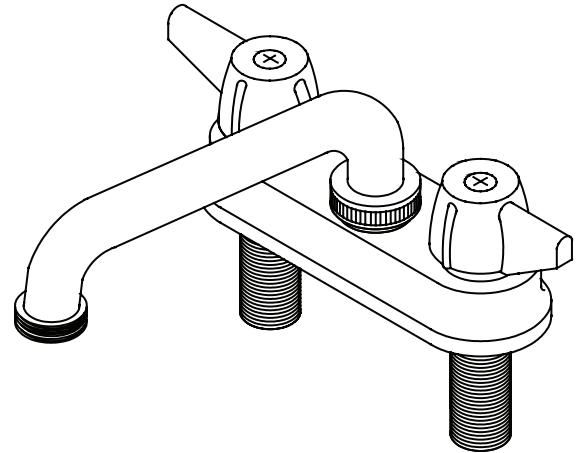
Phone: (216) 883-0220 Fax: (440) 526-5745

www.CentralBrass.com

MODEL NO. 0094-H  
BAR/LAUNDRY FAUCET

The 4-inch center shell topmounted bar/laundry faucet has a cast brass body and zinc shell that are copper, nickel and chrome plated. The compression stems are all brass with a double O-Ring seal and rubber seat washer. The canopy handles are zinc die cast with a chrome plated finish. The 6-inch swivel spout is brass with a chrome plated finish and is fitted with a hose end outlet. The O-Rings and seals are rubber.

ADA Compliant and Meets ASME A112.18.1M  
ANSI/NSF 61/Section 9 Certified



## Installation Drawing

