

Central Brass

C O M P A N Y

Brecksville, Ohio 44141

Phone: (216) 883-0220 Fax: (440) 526-5745

www.CentralBrass.com

MODEL NO. 0331-L1/2

SELF CLOSING

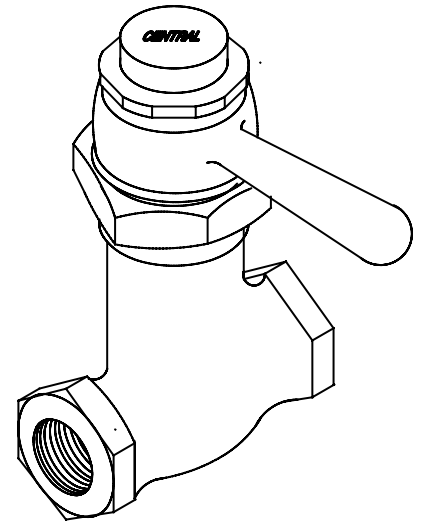
STRAIGHT STOP

0331-L1/2

0331-LV1/2

The self closing straight stop has a cast brass body with a replaceable seat. The faucet has a cam operated self closing stem that is lifted off the seat when the handle is rotated. The replaceable seat, stem, centerpiece and lever handle are all brass. The vandal resistant handle ("V" suffix) has a set screw to hold down the cap from being removed. The return spring is stainless steel. The packing is a reinforced rubber compound. The cam action roller bearings are brass. The straight stop has a polished chrome plated finish.

ASME A112.18.1M



Installation Drawing

