

Central Brass

COMPANY

Brecksville, Ohio 44141

Phone: (216) 883-0220 Fax: (440) 526-5745

www.CentralBrass.com

**MODEL NO. 0255-C
0255-H or 0255-P
**SELF CLOSING
LAVATORY FAUCET****

0255-C (Cold index)

0255-H (Hot index)

0255-P (Plain no index)

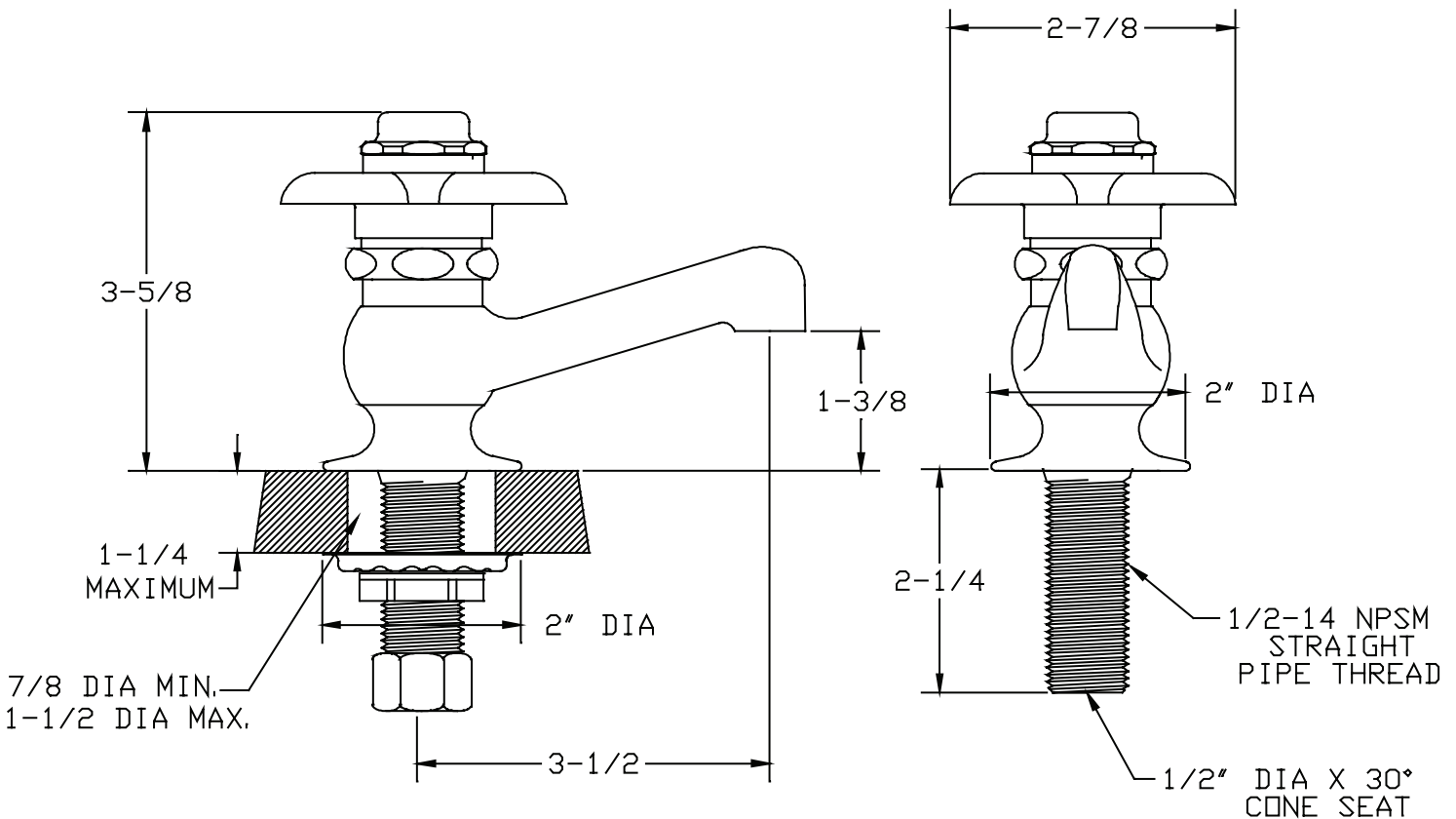
The self closing lavatory faucet has a solid cast brass body with a replaceable seat. The stem is brass with a replaceable rubber seat washer. The replaceable seat is chrome plated brass. The cross handle is brass with a chrome plated finish. The faucet packing is a reinforced rubber. The body, handle and cap are polished and chrome plated and the cap is indexed with a C (cold), H (hot) or P (central). The faucet is opened with a quarter-turn of the handle that lifts the stem off the seat. Ball bearings roll on a lifting cam to open the faucet. The faucet is returned to the closed position by spring force.



ASME A112.18.1M

Meets ANSI/NSF Standard 61, Section 9, for Lead

Installation Drawing



Central Brass

C O M P A N Y

Brecksville, Ohio 44141

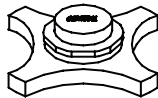
Phone: (216) 883-0220 Fax: (440) 526-5745

www.CentralBrass.com

**MODEL NO. 0255-C
0255-H or 0255-P
**SELF CLOSING
LAVATORY FAUCET****

Handle variations available

V - Suffix
Brass 4-arm
Vandal-Resistant
Handle with screw



G-6928-V



A - Suffix
2.0 GPM aerator