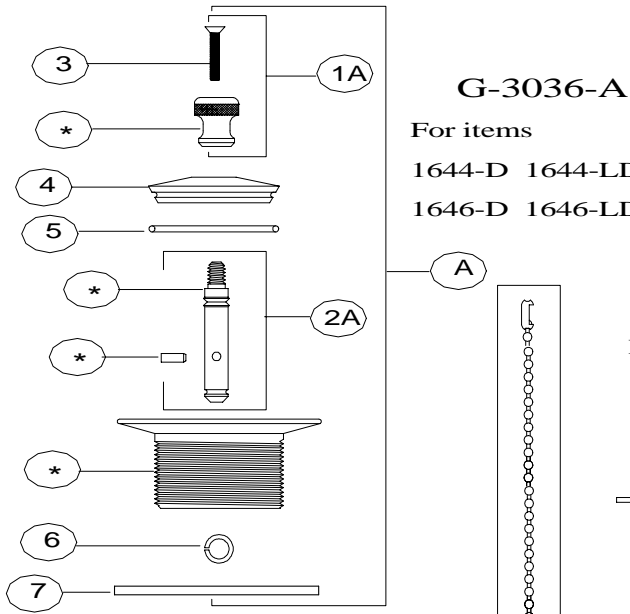


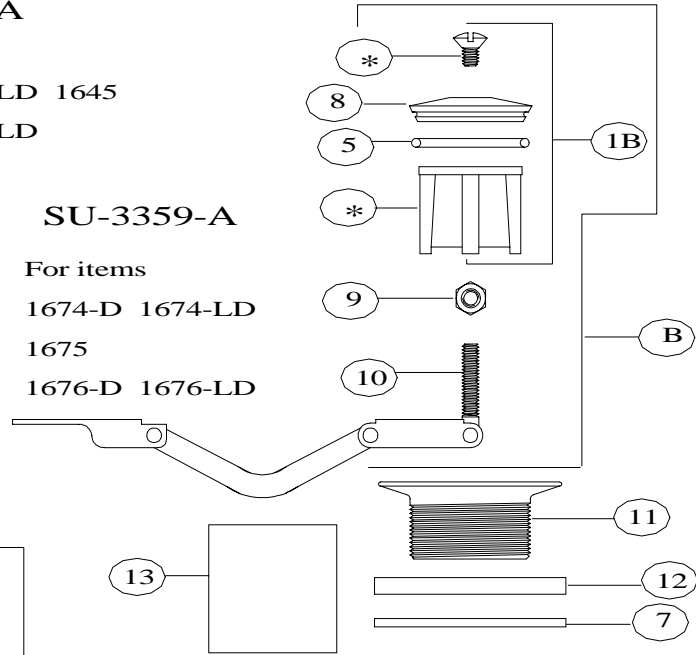
MANUFACTURING COMPANY  
 2950 East 55<sup>th</sup> St. Cleveland, Ohio 44127  
 Phone:(216)883-0220 Fax: (216)883-0875  
 www.CentralBrass.com

## REPLACEMENT PARTS



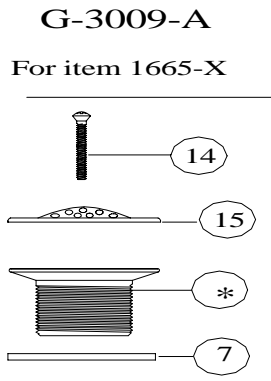
**G-3036-A**

For items  
 1644-D 1644-LD 1645  
 1646-D 1646-LD



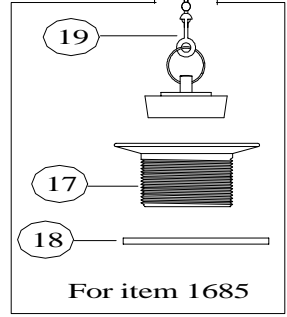
**SU-3359-A**

For items  
 1674-D 1674-LD  
 1675  
 1676-D 1676-LD



**G-3009-A**

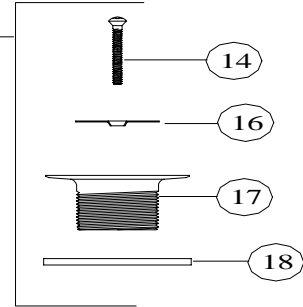
For item 1665-X



For item 1685

**G-218-A**

For items  
 1555 1655



#	Part #	Description
A	G-3036-A	Strainer Group with Knob (G-94-F), Post (SU-756-CB), Strainer Plug (PF-3359-A) & Strainer Body
B	SU-3359-A	Strainer Plug assembly with Plug (PF-3359-A), Guide & Rocker Arm (SU-85-APF)
C	G-3009-A	Strainer Body (3009-BRC) with Plate (X218-F) & Screw (X218-C)
D	G-218-A	Strainer Body (PF-218-A) with Plate (X218-B), Screw (X218-C) & Washer (X991-C)
1A	G-94-F	Knob & Screw (X103-PLCP)
2A	SU-756-CB	Post with pin
1B	G-3359-A	Strainer Plug group with Plug (PF-3359-A) & Guide

#	Part #	Description
3	X103-PLCP	Knob Screw (6 pcs per pack)
4	PF-3359-A	Brass Drain Plug
5	X1038-W	O-Ring (10 pcs per pack)
6	X166-Q	Snap Ring (6 pcs per pack)
7	X991	Washer (4 pcs per pack)
8	PF-3359-A	Brass Drain Plug
9	X207-B	Brass Hex Nut (6 pcs per pack)
10	SU-85-APF	Rocker Arm Assembly with flat platform end
11	3362	Brass Strainer Plug Body
12	X991-A	Washer (4 pcs per pack)
13	85-FW	Flat Steel Wrench
14	X218-C	Brass Strainer Plate Screw (10 pcs per pack)
15	X218-F	Strainer Plate (2 pcs per pack)
16	X218-B	Strainer Plate (10 pcs per pack)
17	PF-218-A	Brass Strainer Body
18	X991-C	Washer (4 pcs per pack)
19	972-C	15 inch Chain & 1½ inch dia. Stopper

\* These items are not offered individually and must be purchased as a group or unit. Please contact Central Brass for more information. 06/10/03