

Central Brass

COMPANY

Brecksville, Ohio 44141

Phone: (216) 883-0220 Fax: (440) 526-5745

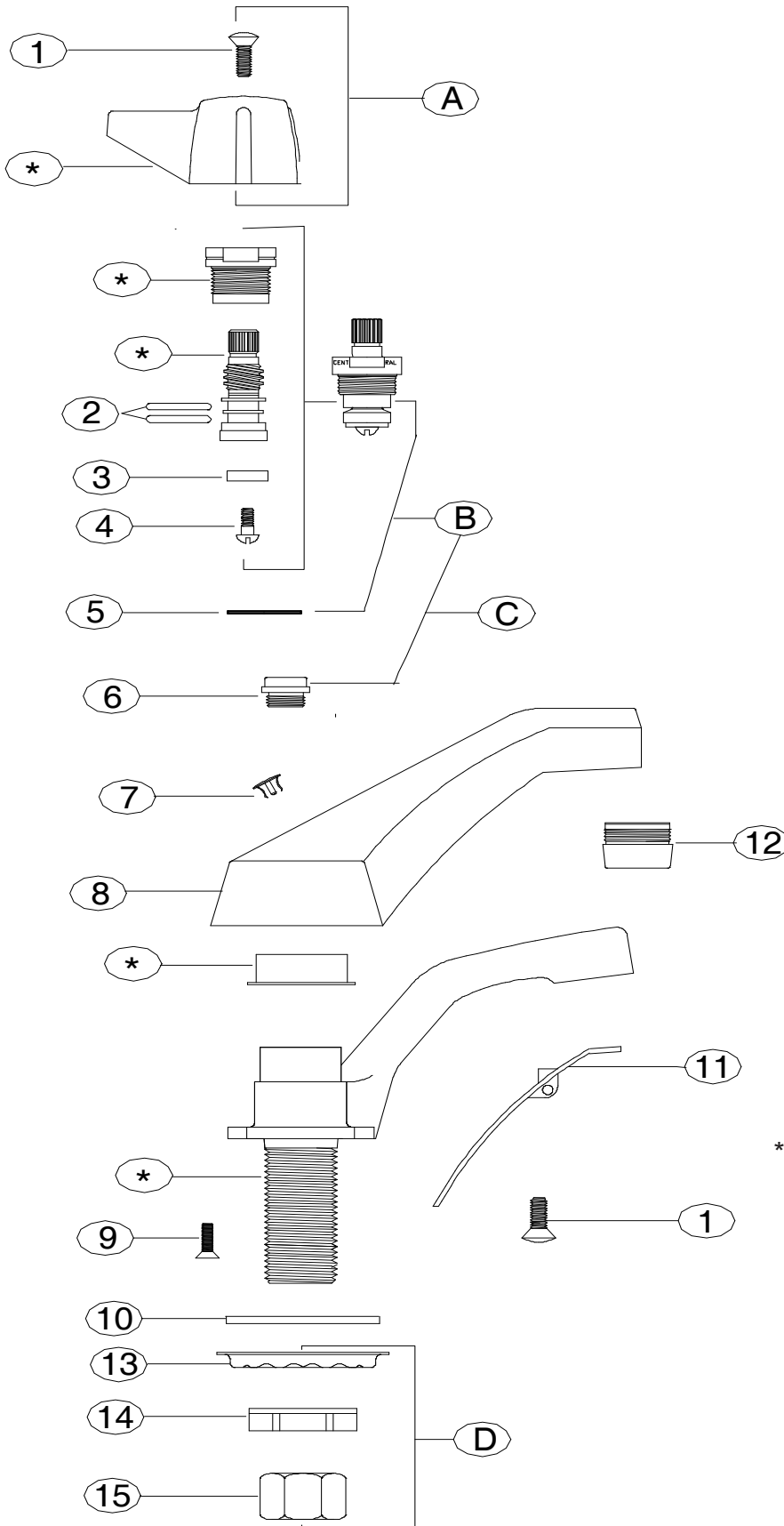
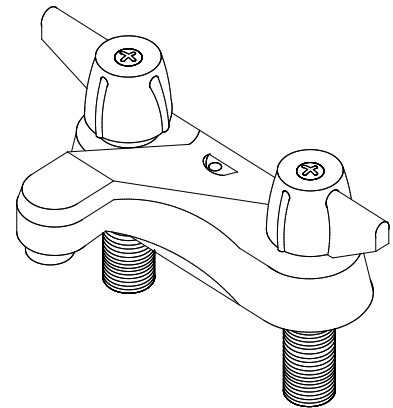
www.CentralBrass.com

MODEL NO. 1147 Series

Shell Type Centerset

with Cast Brass Underbody

REPLACEMENT PARTS



* These items are not offered individually and must be purchased as a group or unit. Please contact Central Brass for more information.

Central Brass

C O M P A N Y

Brecksville, Ohio 44141

Phone:(216)883-0220 Fax: (440)526-5745

www.CentralBrass.com

MODEL NO. 1147 Series
Shell Type Centerset
with Cast Brass Underbody

REPLACEMENT PARTS

#	Part #	Description
A	G-523-C	Lever Handle C Indexed with Screw (X107-F)
A	G-523-H	Lever Handle H Indexed with Screw (X107-F)
B	G-453-EL	Cold O-Ring Stem Assembly with Gasket (X1028-Y)
B	G-453-ER	Hot O-Ring Stem Assembly with Gasket (X1028-Y)
C	K-453-C	Cold O-Ring Stem Assembly with Gasket (X1028-Y) and Seat (X263-BC)
C	K-453-H	Hot O-Ring Stem Assembly with Gasket (X1028-Y) and Seat (X263-BC)
D	G-913-A	Coupling Nut group (2 sets)
D	G-95-A	Coupling Nut group (1 set)
1	X107-F	Handle Screw (25 pcs per pack) also used for throat plate
2	X1038-453	O-Rings (25 pcs per pack)
3	X901-WNN	Stem Seat Washer (25 pcs per pack)
4	X104	Seat Washer Screw (25 pcs per pack)
5	X1028-Y	Gasket (25 pcs per pack)
6	X263-BC	Replacement Seat (10 pcs per pack)
7	X70-WA	Plug Hole Button (6 pcs per pack) For items without Pop-up Drain
8	392-Z	Chrome Plated Shell Cover Plate
9	X103-P	Cover Plate Body Screw (6 pcs per pack)
10	392-G	Cover Plate Gasket
11	392-ZP	Chrome Plate Shell Throat Plate
12	30-L	Aerator (Male)
13	X54	Crowfoot Washer (10 pcs per pack)
14	X7133-AZ	Locknut (10 pcs per pack)
15	X4015	Coupling Nut (4 pcs per pack)

- If faucet has round handles, use two Hot stem assemblies
- If faucet has lever handles, use one Hot and one Cold stem assemblies

See **1137, 81137, 101137, 181137, 201137, & 281137**
for Cast Brass Body Centersets