

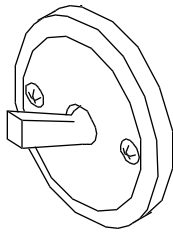
Central Brass

MANUFACTURING COMPANY
 2950 East 55th St. Cleveland, Ohio 44127
 Phone:(216)883-0220 Fax: (216)883-0875
 www.CentralBrass.com

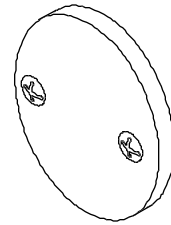
Bath Drain Face Plates

for Trip Lever, Pop-Up, Lift & Turn
 and Chain & Stopper

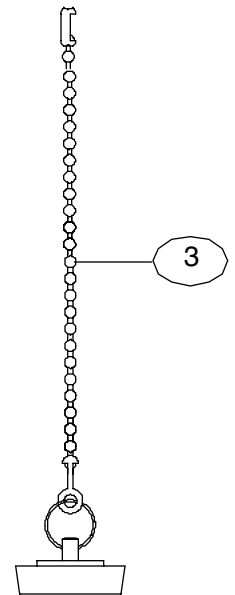
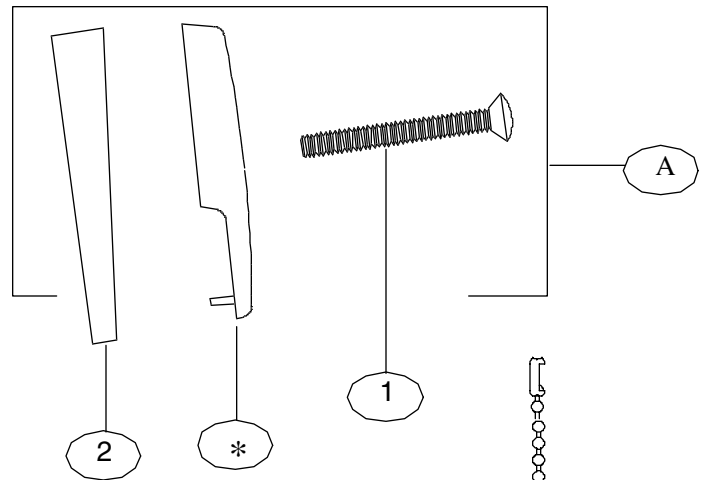
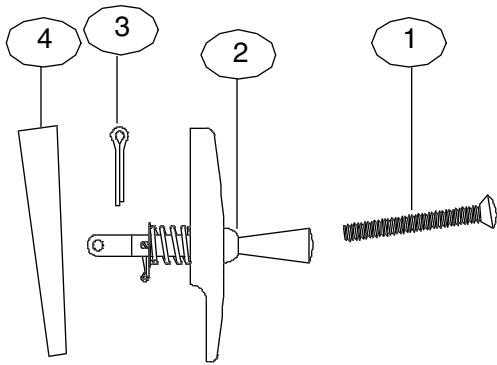
REPLACEMENT PARTS



Pop-up and
Trip Lever Drains



Chain & Stopper and
CentrLift - Lift & Turn Drains



#	Part #	Description
Trip Lever Bath Drains and Pop-up Drain		
1	X127-AP21/4	Face Plate Screw (6 pcs per pack)
2	SU-83-AZ	Trip Lever Face Plate
3	X222-D	Cotter Pin (6 pcs per pack)
4	990-L	Sponge Washer
CentraLift – Lift & Turn Drains and Chain & Stopper		
A	G-83-ACZ	Faceplate with Sponge Washer (990-L) & Screws (X127-AP21/4)
1	X127-AP21/4	Face Plate Screw (6 pcs per pack)
2	990-L	Sponge Washer
3	972-C	15 inch Chain & 1½ inch dia. Stopper for item 1685 only

* These items are not offered individually and must be purchased as a group or unit. Please contact Central Brass for more information.