

# Central Brass

C O M P A N Y

Brecksville, Ohio 44141

Phone: (216) 883-0220 Fax: (440) 526-5745

www.CentralBrass.com

**MODEL NOS. 0576-1/2  
0576-1/2RC 0576-1/2CP  
LAWN FAUCET**

## 0576-1/2

Rough  
Brass

## 0576-1/2RC

Rough  
Chrome

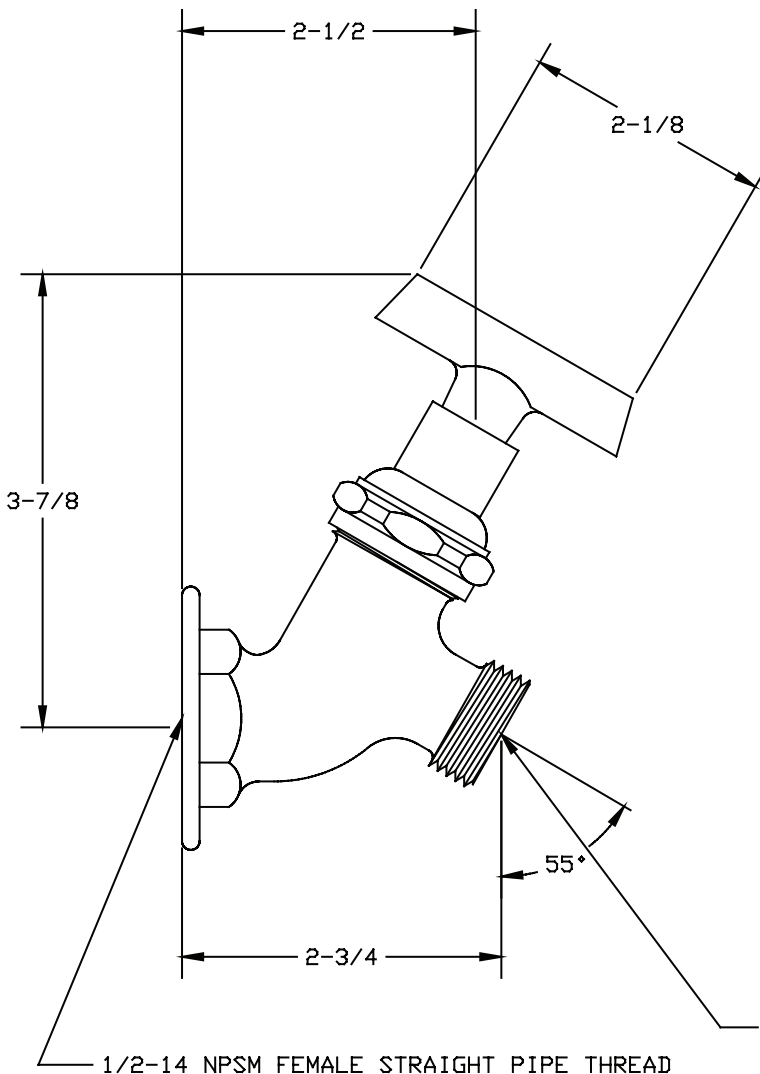
## 0576-1/2CP

Polished  
Chrome

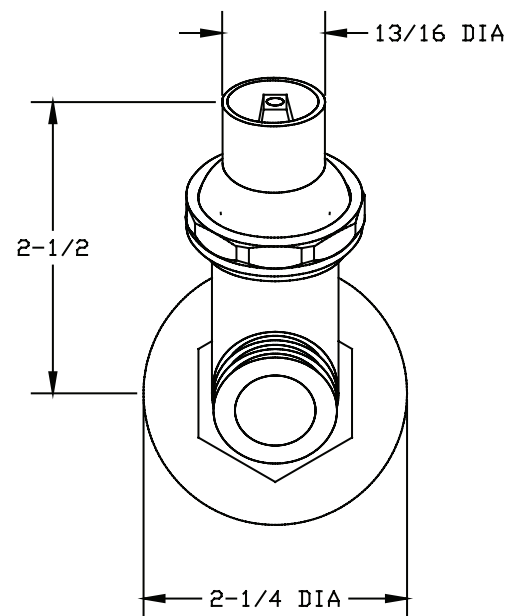
The lawn faucet has a heavy pattern cast brass body with a cast in flange. All internal metal parts are brass. The packing is a reinforced rubber material and the seat washer is rubber. The faucet is provided with a brass lockshield and a removable loose key handle for vandal resistant operation. The lawn faucet is available in either a rough brass, (RC) rough chrome or (CP) polished chrome finish.

ASME A112.18.1M

Meets ANSI/NSF Standard 61, Section 9, for Lead



## Installation Drawing



# Central Brass

C O M P A N Y

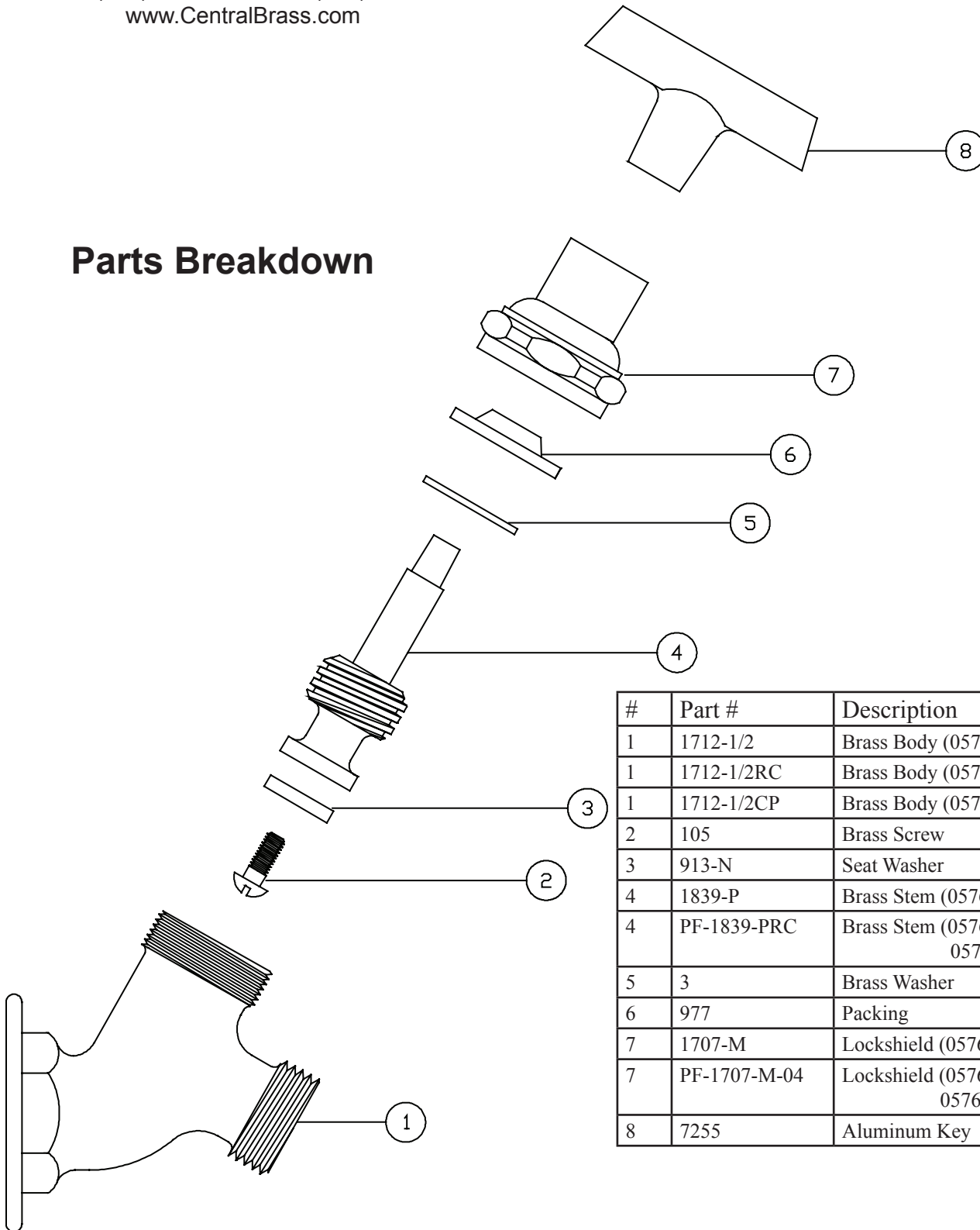
Brecksville, Ohio 44141

Phone: (216) 883-0220 Fax: (440) 526-5745

www.CentralBrass.com

**MODEL NOS. 0576-1/2  
0576-1/2RC 0576-1/2CP  
LAWN FAUCET**

## Parts Breakdown



#	Part #	Description
1	1712-1/2	Brass Body (0576-1/2 only)
1	1712-1/2RC	Brass Body (0576-1/2RC only)
1	1712-1/2CP	Brass Body (0576-1/2CP only)
2	105	Brass Screw
3	913-N	Seat Washer
4	1839-P	Brass Stem (0576-1/2 only)
4	PF-1839-PRC	Brass Stem (0576-1/2 RC & 0576-1/2CP only)
5	3	Brass Washer
6	977	Packing
7	1707-M	Lockshield (0576-1/2 only)
7	PF-1707-M-04	Lockshield (0576-1/2RC & 0576-1/2CP only)
8	7255	Aluminum Key

The parts listed in the parts breakdown above may not be offered separately as replacement parts. Please review the Replacement Parts page for the authorized replacement parts that are available for this item.