

Central Brass

C O M P A N Y

Brecksville, Ohio 44141

Phone: (216) 883-0220 Fax: (440) 526-5745

www.CentralBrass.com

**MODEL NO. 0355-A
SLOW CLOSING
LAVATORY FAUCET**

**0355-AC 0355-AH 0355-AP
0355-AVC 0355-AVH 0355-AVP**

The slow closing lavatory faucet has a solid cast brass body with a polished chrome plated finish. The brass polished chrome plated push button handle is used to make the external adjustments to the cycle time and is indexed C (cold), H (hot) or plain with no index. The button is then locked at the time setting with a set screw. The factory on time is set at the factory at approximately 3 1/2 seconds. Longer cycle time is possible with internal adjustments. All of the internal parts are brass or stainless steel. The seals and O-Rings are rubber. The bonnet gasket is nylon. The lavatory fitting is fitted with a 2.0 GPM water saving aerator that limits the flow rate. A .5 GPM vandal-resistant aerator is available (V suffix).

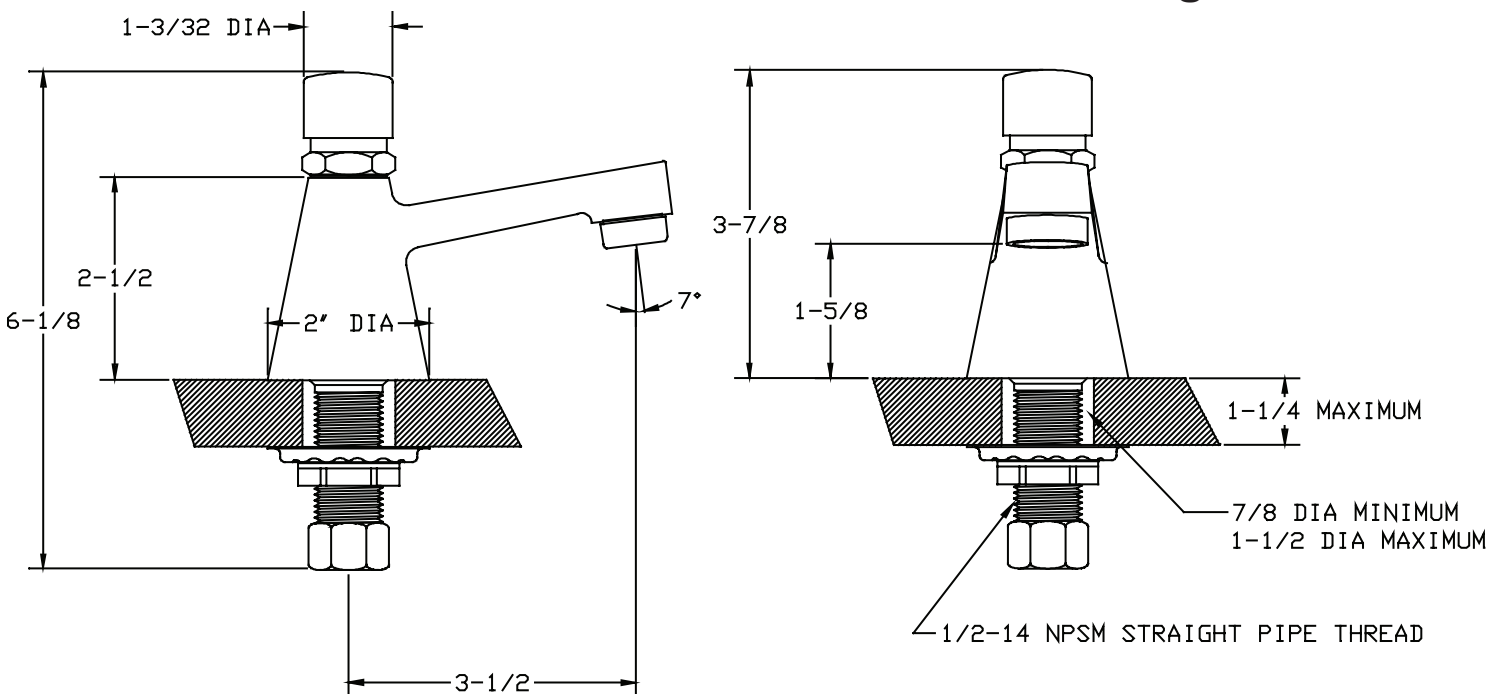


Flow Rate: 2.0 gpm @ 60 psi, .5 GPM vandal-resistant is available

ASME A112.18.1M

Meets ANSI/NSF Standard 61, Section 9, for Lead

Installation Drawing



Central Brass

C O M P A N Y

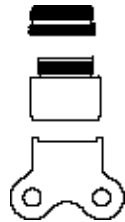
Brecksville, Ohio 44141

Phone: (216) 883-0220 Fax: (440) 526-5745

www.CentralBrass.com

**MODEL NO. 0355-A
SLOW CLOSING
LAVATORY FAUCET**

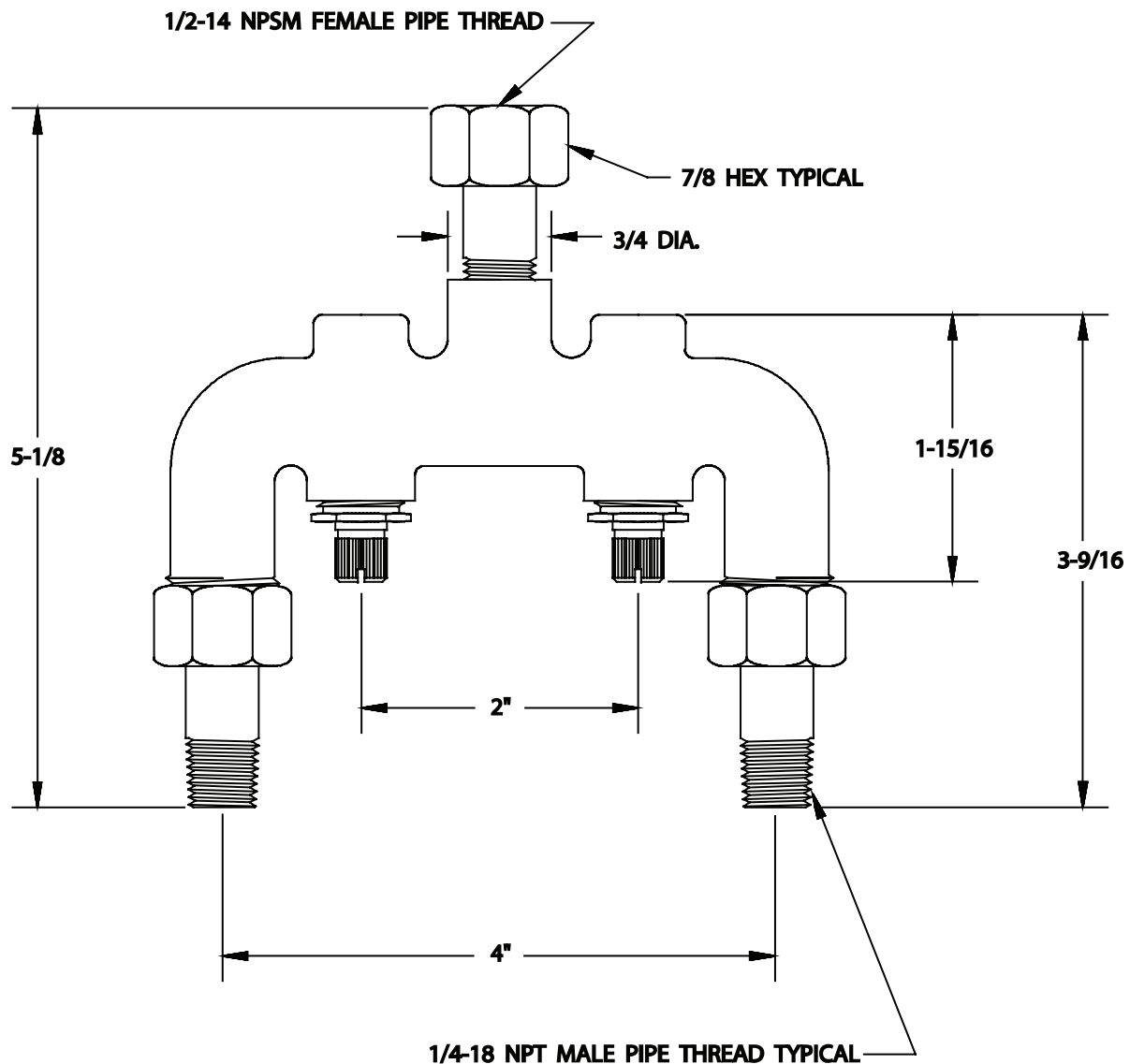
Suffix Options
& Accessories



V - Suffix
.5 GPM vandal-resistant aerator

G-30-LV

U-5020 - Temperator mixing valve



Central Brass

C O M P A N Y

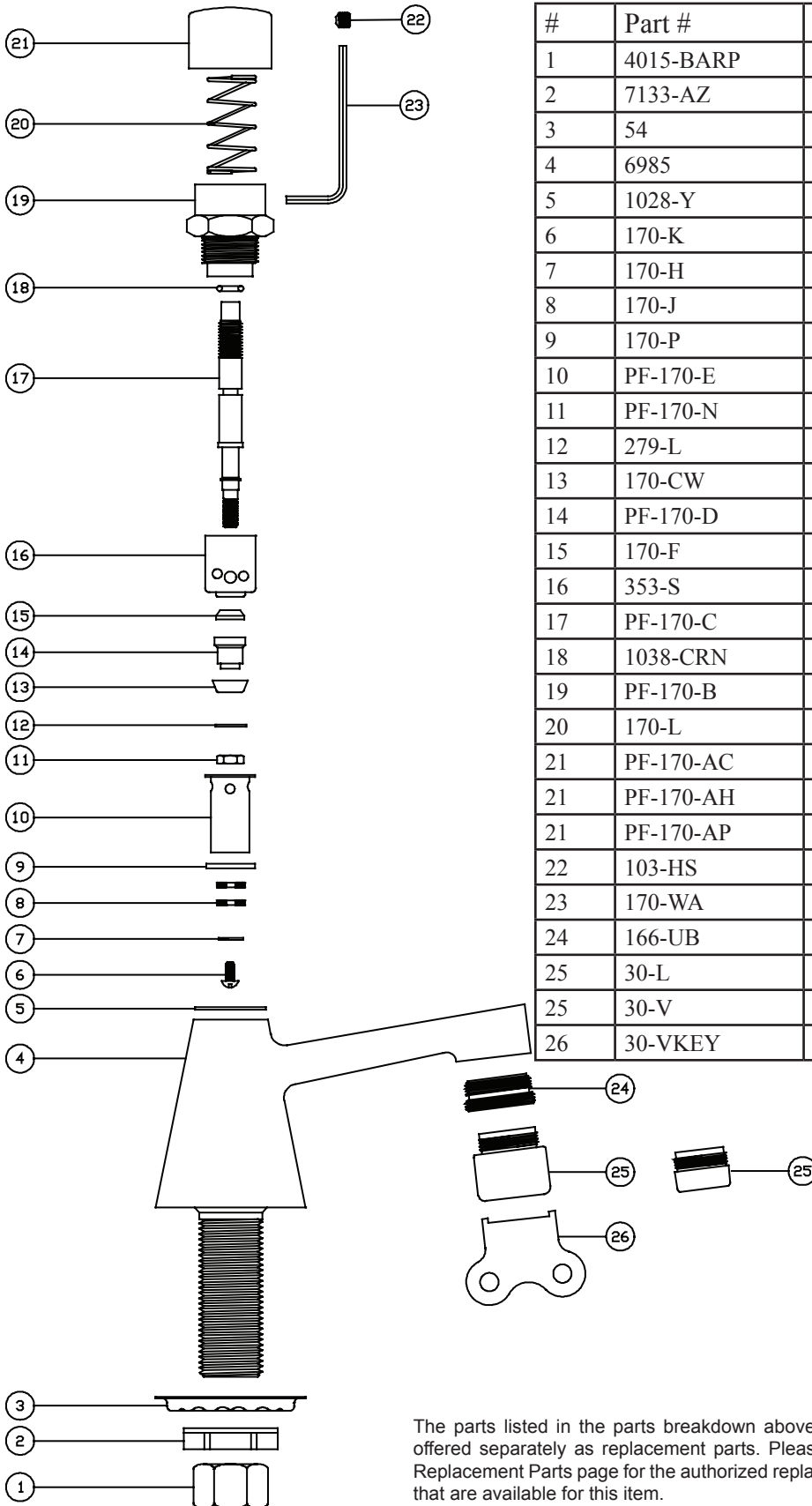
Brecksville, Ohio 44141

Phone: (216) 883-0220 Fax: (440) 526-5745

www.CentralBrass.com

MODEL NO. 0355-A
SLOW CLOSING
LAVATORY FAUCET

Parts Breakdown



#	Part #	Description
1	4015-BARP	Brass Coupling Nut
2	7133-AZ	Zinc Dichromate Locknut
3	54	Steel Crowfoot Locknut
4	6985	Brass Body
5	1028-Y	Nylon Gasket
6	170-K	Stainless Steel Screw
7	170-H	Brass Washer
8	170-J	Felt Washer
9	170-P	Gasket
10	PF-170-E	Brass Dashpot
11	PF-170-N	Brass Nut
12	279-L	Brass Washer
13	170-CW	Cup Washer
14	PF-170-D	Brass Holder
15	170-F	Seat Washer
16	353-S	Celcon Sleeve
17	PF-170-C	Brass Stem
18	1038-CRN	O-Ring
19	PF-170-B	Brass Bonnet
20	170-L	Stainless Steel Spring
21	PF-170-AC	Push Button - Indexed "C"
21	PF-170-AH	Push Button - Indexed "H"
21	PF-170-AP	Push Button - No Index
22	103-HS	Stainless Steel Set Screw
23	170-WA	Steel Hex Wrench
24	166-UB	Aerator Adapter (for V suffix only)
25	30-L	Aerator
25	30-V	Vandal Resistant Aerator (V suffix)
26	30-VKEY	Steel Key (V suffix for vandal-resistant aerator)

The parts listed in the parts breakdown above may not be offered separately as replacement parts. Please review the Replacement Parts page for the authorized replacement parts that are available for this item.