

Central Brass

C O M P A N Y

Brecksville, Ohio 44141

Phone: (216) 883-0220 Fax: (440) 526-5745

www.CentralBrass.com

MODEL NOS.
0287-GSA 80287-GSA
0287-GSA-Q
BAR FAUCET

O-Ring Compression

0287-GSA

1/4-Turn Compression

0287-GSA-Q

Ceramic Units

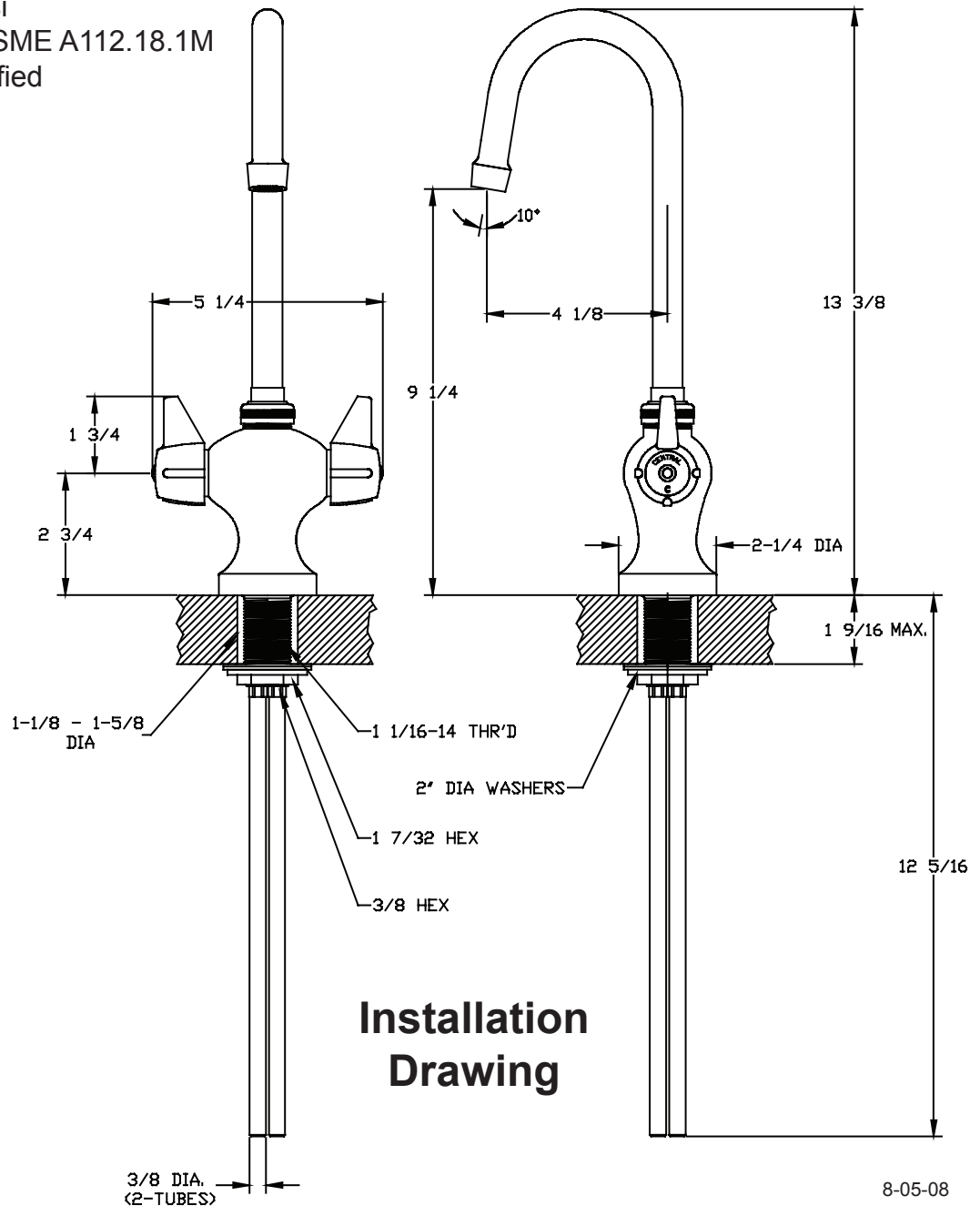
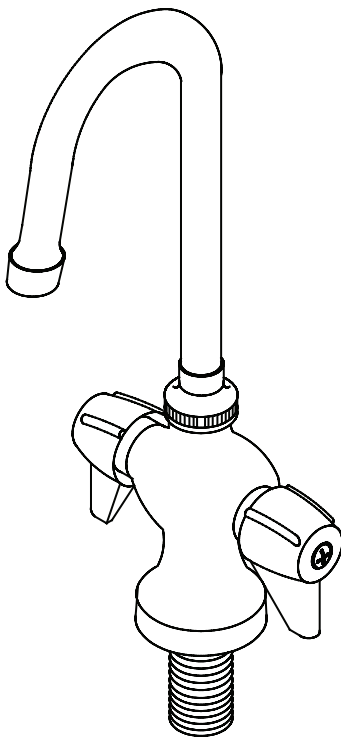
80287-GSA

The bar faucet has a cast brass body that is copper, nickel and chrome plated. The stems are all brass, with a double O-Ring seal and rubber seat washer (for compression stems) or ceramic sealing discs (for ceramic units). The canopy handle is zinc die cast with a chrome plated finish. The swivel gooseneck spout is brass with a chrome plated finish and is fitted with a water saving aerator that limits the flow rate. The O-Rings and seals are rubber. The 3/8" diameter supply tubes are threaded into the shank.

Flow Rate: 2.0 GPM @ 60 psi

ADA Compliant and Meets ASME A112.18.1M

ANSI/NSF 61/Section 9 Certified



Central Brass

C O M P A N Y

Brecksville, Ohio 44141

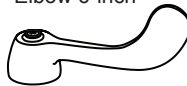
Phone: (216) 883-0220 Fax: (440) 526-5745

www.CentralBrass.com

MODEL NOS.
0287-GSA 80287-GSA
0287-GSA-Q
BAR FAUCET

Handle variations available

ELS - Suffix
Wrist 4-inch
EL - Suffix
Elbow 6-inch



G-4147 (4-inch)
G-4149 (6-inch)



Faucets with lever, wrist or elbow handles with compression or ceramic stem cartridges are ADA compliant.

Central Brass

C O M P A N Y

Brecksville, Ohio 44141

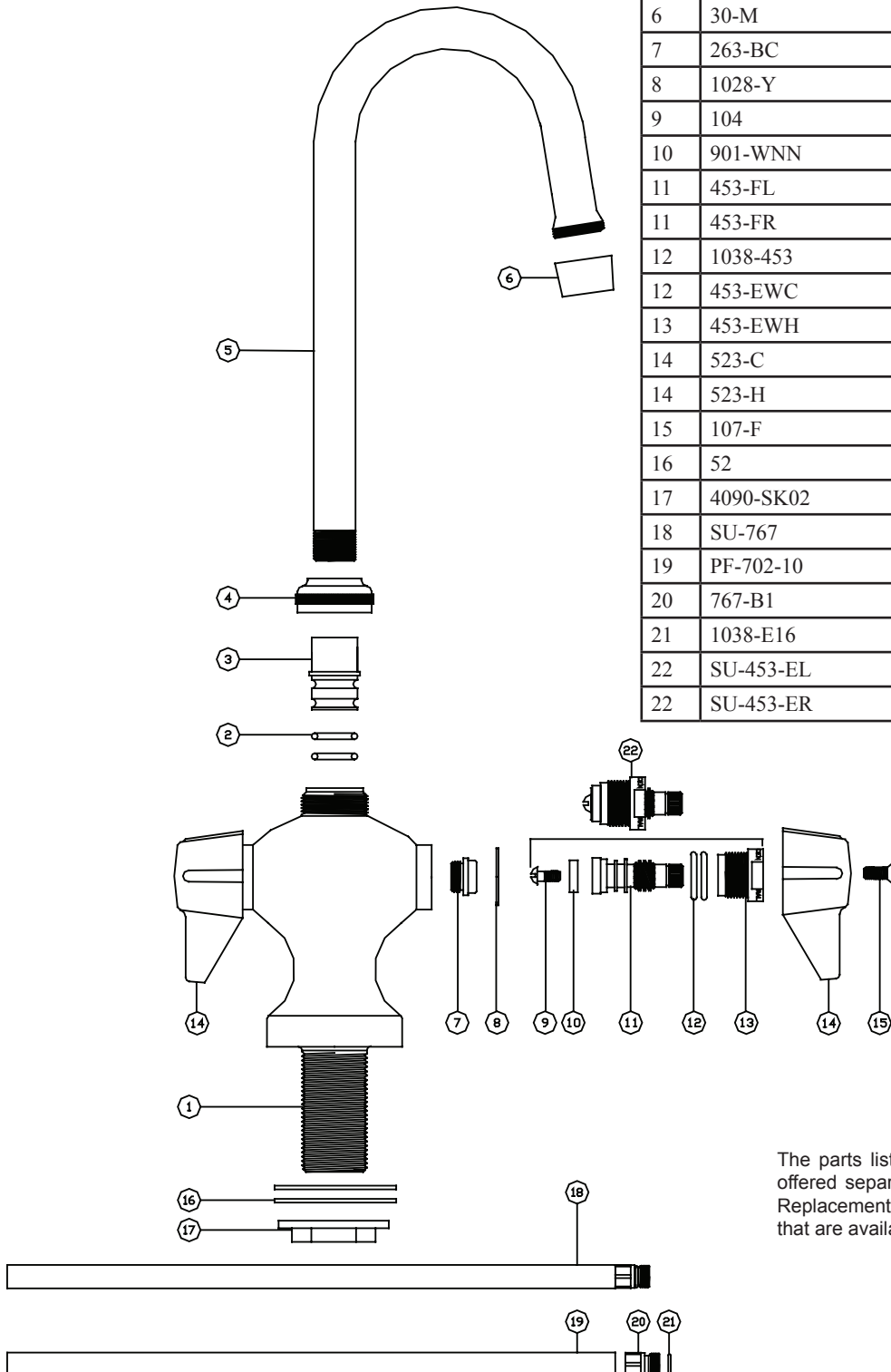
Phone: (216) 883-0220 Fax: (440) 526-5745

www.CentralBrass.com

MODEL NOS.
0287-GSA 80287-GSA
0287-GSA-Q
BAR FAUCET

Parts Breakdown

#	Part #	Description
1	1756-CT	Brass Faucet Body
2	1038-KN	O-Ring
3	PF-741-DOA	Brass Spout Adapter
4	PF-782-DES	Brass Spout Nut
5	PF-157-GA-02	Brass Gooseneck Spout
6	30-M	Female Aerator
7	263-BC	Bronze Seat
8	1028-Y	Nylon Gasket
9	104	Brass Seat Washer Screw
10	901-WNN	Seat Washer
11	453-FL	Brass Left Thread O-Ring Stem
11	453-FR	Brass Right Thread O-Ring Stem
12	1038-453	O-Ring
12	453-EWC	Brass Left Thread O-Ring Bonnet
13	453-EWH	Brass Right Thread O-Ring Bonnet
14	523-C	Handle Indexed "C"
14	523-H	Handle Indexed "H"
15	107-F	Brass Phillips Head Screw
16	52	Steel Washer
17	4090-SK02	Brass Locknut
18	SU-767	Supply Tube Assembly With O-Ring
19	PF-702-10	Copper Supply Tube
20	767-B1	Supply Tube Fitting
21	1038-E16	O-Ring
22	SU-453-EL	Left Thread O-Ring Stem Assembly
22	SU-453-ER	Right Thread O-Ring Stem Assembly



The parts listed in the parts breakdown above may not be offered separately as replacement parts. Please review the Replacement Parts page for the authorized replacement parts that are available for this item.