

Central Brass

COMPANY

Brecksville, Ohio 44141

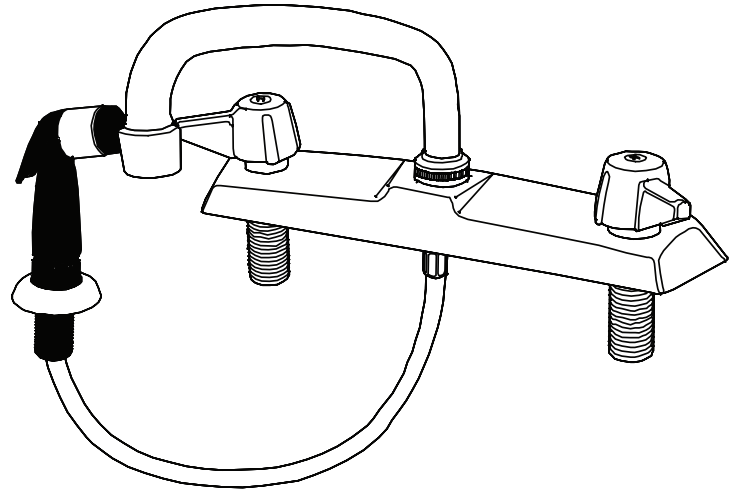
Phone: (216) 883-0220 Fax: (440) 526-5745

www.CentralBrass.com

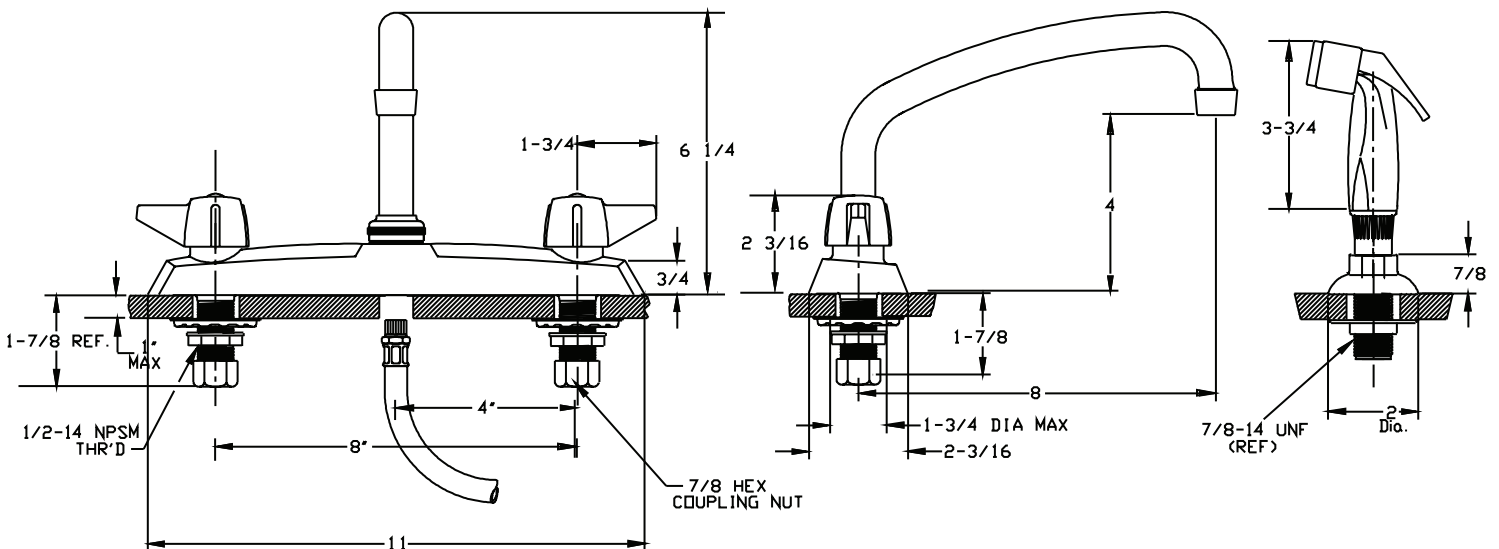
**MODEL NO. 0147-A
KITCHEN TOPMOUNT**

The 8-inch center topmounted kitchen faucet has a cast brass body with replaceable seats. The plastic body shell has a chrome plated finish. The compression stems are all brass with a double O-Ring seal and rubber seat washer. The canopy handles are zinc die cast with a chrome plated finish. The 8-inch swivel spout is brass with a chrome plated finish and is fitted with a water saving aerator that limits the flow rate. The O-Rings and seals are rubber. The faucet has a spray rinse attachment that is connected with a 48-inch long nylon hose with a chrome plated hose guide.

Flow Rate: 2.0 GPM @ 60 psi
ADA Compliant and Meets ASME A112.18.1M
ANSI/NSF 61/Section 9 Certified



Installation Drawing



Central Brass

C O M P A N Y

Brecksville, Ohio 44141

Phone: (216) 883-0220 Fax: (440) 526-5745

www.CentralBrass.com

**MODEL NO. 0147-A
KITCHEN TOPMOUNT**

Suffix Options
& Accessories

Handle variations available

Wrist 4-inch

Elbow 6-inch



G-4147 (4-inch)

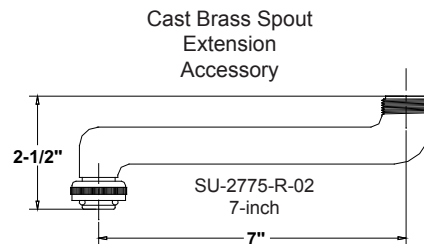
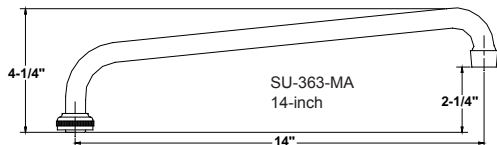
G-4149 (6-inch)



Faucets with lever, wrist or elbow handles with compression or ceramic stem cartridges are ADA compliant.

Spout variations available

- A2 - Suffix
10-inch Brass Tube Spout
- A3 - Suffix
12-inch Brass Tube Spout
- A4 - Suffix
14-inch Brass Tube Spout



NSF Drinking water products tested and certified by NSF International to ANSI/NSF Standard 61, Section 9. Each product required to meet the standard proudly exhibits the NSF logo.

Central Brass

COMPANY

Brecksville, Ohio 44141

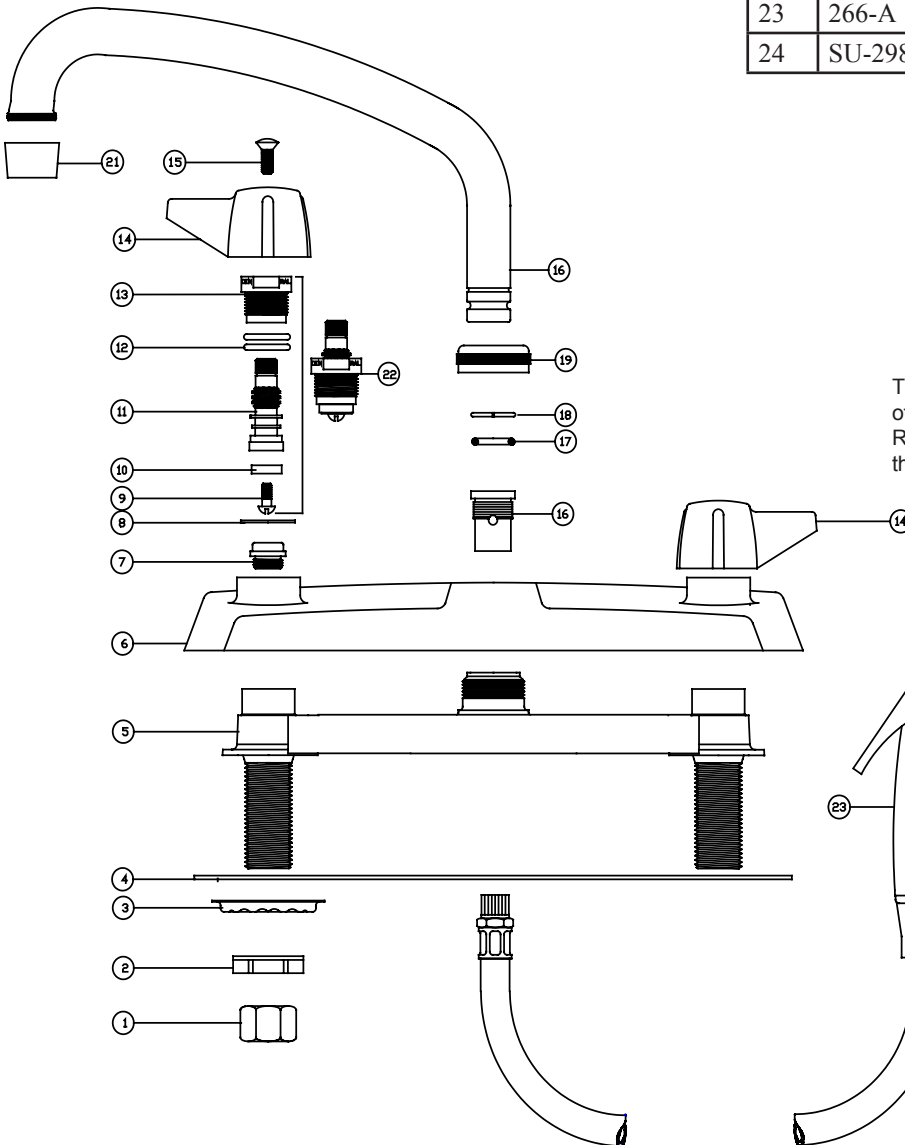
Phone: (216) 883-0220 Fax: (440) 526-5745

www.CentralBrass.com

MODEL NO. 0147-A KITCHEN TOPMOUNT

#	Part #	Description
1	4015-BARP	Brass Coupling Nut
2	7133-AZ	Zinc Dichromate Locknut
3	54	Steel Srowfoot Washer
4	393-BP	Gasket
5	1952-RSN	BrassFaucer Underbody
6	393-P	Shell Cover Plate
7	263-BC	Bronze Seat
8	1028-Y	Nylon Gasket
9	104	Brass Seat Washer Screw
10	901-WNN	Seat Washer

#	Part #	Description
11	453-FL	Brass Left Thread O-Ring Stem
11	453-FR	Brass Right Thread O-Ring Stem
12	1038-453	O-Ring
13	453-EWC	Brass Left Thread O-Ring Bonnet
13	453-EWH	Brass Right Thread O-Ring Bonnet
14	523-C	Handle Indexed "C"
14	523-H	Handle Indexed "H"
15	107-F	Brass Phillips Head Screw
16	SU-167-DP	Diverter Piston Assembly
17	1038-KN	O-Ring
18	166-FN	Stainless Steel Snap Ring
19	PF-782-DES	Brass Spout Nut
20	PF-363-RA	Brass Swivel Spout
21	30-M	Female Aerator
22	SU-453-EL	Left Thread O-Ring Stem Assembly
22	SU-453-ER	Right Thread O-Ring Stem Assembly
23	266-A	Hose & Spray
24	SU-2987-DA	Host Guide



Parts Breakdown

The parts listed in the parts breakdown above may not be offered separately as replacement parts. Please review the Replacement Parts page for the authorized replacement parts that are available for this item.