

Central Brass

COMPANY

Brecksville, Ohio 44141

Phone: (216) 883-0220 Fax: (440) 526-5745

www.CentralBrass.com

Model Nos.
0997 80997
TWO-VALVE
BATH/SHOWER FITTING

8" Centers, I.P. Unions, Compression Stems, Replaceable Seats

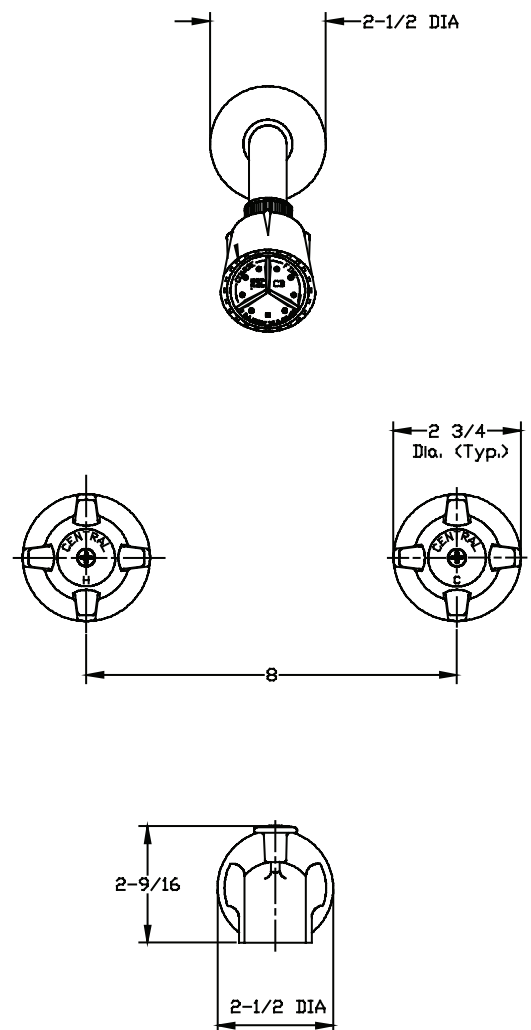
0997 Series Bath & Shower Valve with Shower Head, Arm & Flange

8" Centers, Direct Sweat, Ceramic Stem Assemblies

80897 Series Bath & Shower Valve with 1/2 IPS Spout, Shower Head, Arm & Flange



ASME A112.18.1M
Shower Flow Rate
2.5 gpm @ 80 psi



The two-valve bath and shower fitting is made with a cast brass body with replaceable seats (for compression stems only) designed for I.P. union connections. The stem units are all brass, with a reinforced rubber packing and rubber seat washer (for compression stems) or ceramic sealing discs (for ceramic units). The stem units can be easily replaced from the front of the fitting without removing the valve body. The fitting is supplied with an internal transfer valve that prevents shower flow when the spout is open for tub flow. The handles, 1/2-inch IPS spout and escutcheons are zinc die cast with a chrome plated finish. The shower arm is brass with a chrome plated finish, the escutcheon is stainless steel and the shower head is chrome plated plastic.

Direct sweat union sleeves (C suffix)

Central Brass

COMPANY

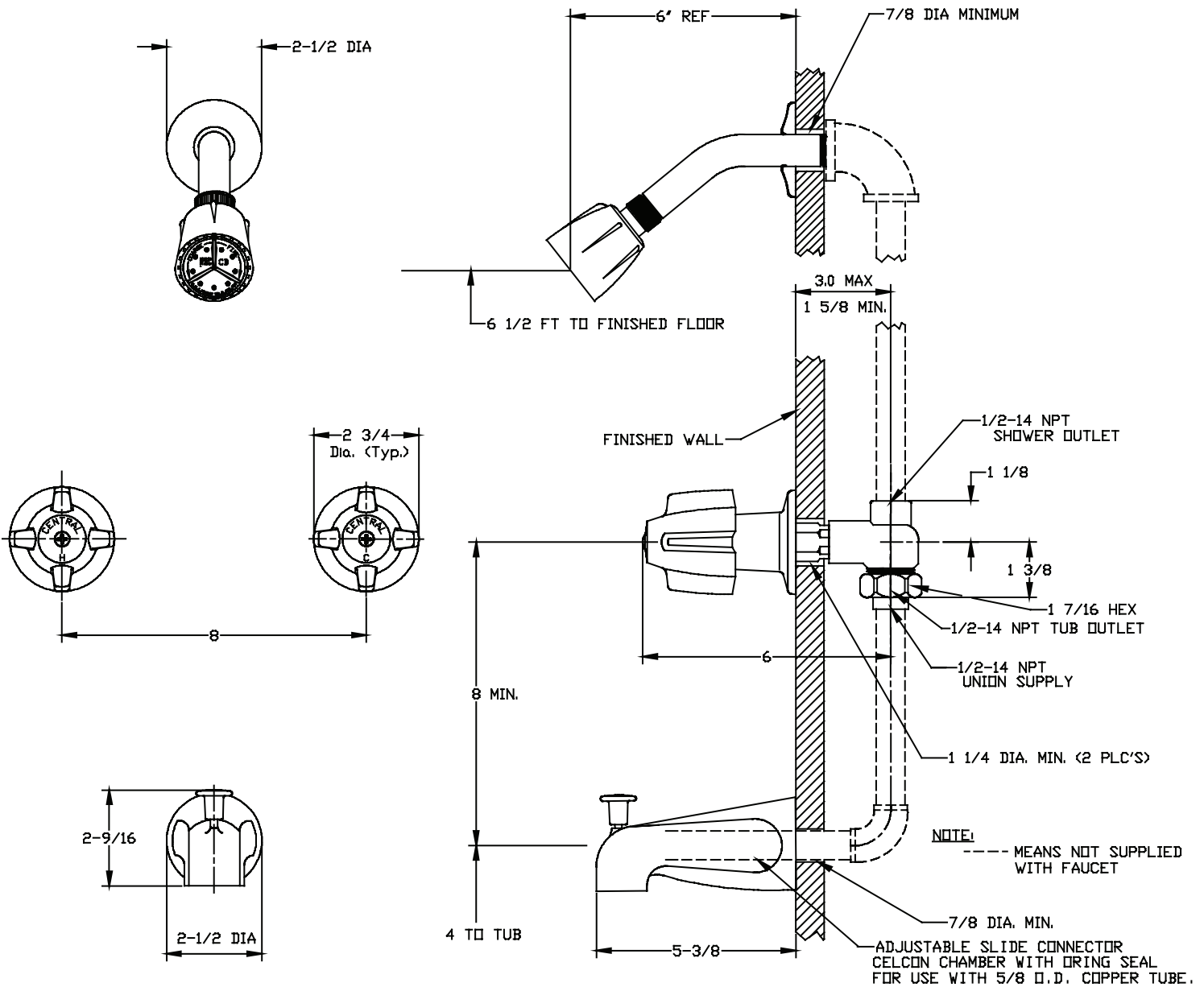
Brecksville, Ohio 44141

Phone: (216) 883-0220 Fax: (440) 526-5745

www.CentralBrass.com

Model Nos.
0997 80997
TWO-VALVE
BATH/SHOWER FITTING

Installation Drawing



Central Brass

C O M P A N Y

Brecksville, Ohio 44141

Phone: (216) 883-0220 Fax: (440) 526-5745

www.CentralBrass.com

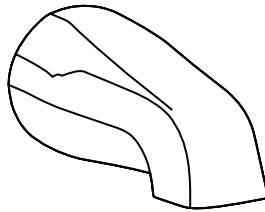
Model Nos.

0997 80997

**TWO-VALVE
BATH/SHOWER FITTING**

Spout variations available

Z - Suffix
Zamak Spout



3154-Z

Accessories available

Brass
Stem Extension



G-1548-ET
(Available Separately)
Used for thicker wall dimensions

Central Brass

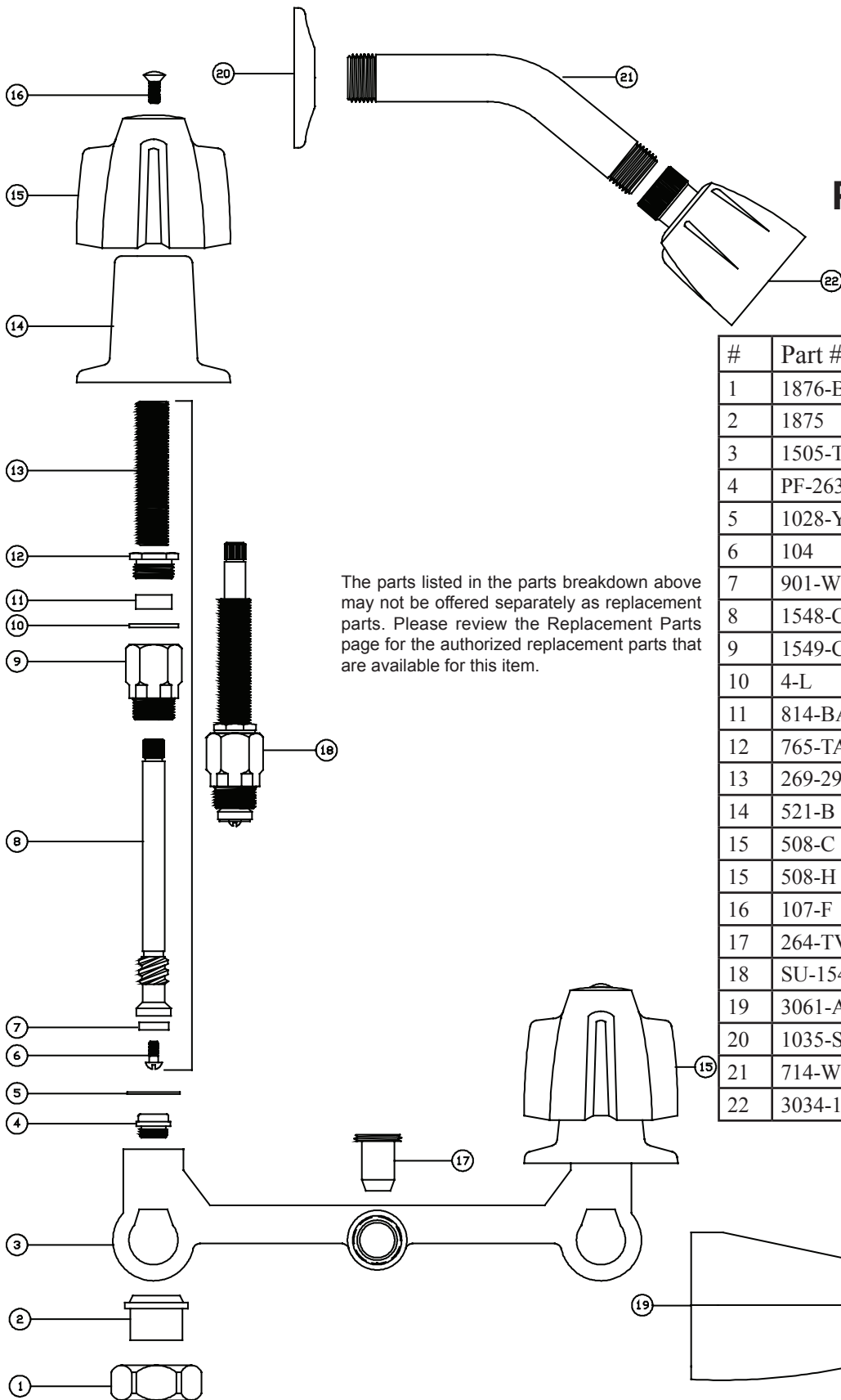
COMPANY

Brecksville, Ohio 44141

Phone: (216) 883-0220 Fax: (440) 526-5745

www.CentralBrass.com

Model Nos.
0997 80997
TWO-VALVE
BATH/SHOWER FITTING



Parts Breakdown

#	Part #	Description
1	1876-BB	Brass Coupling
2	1875	Brass Union
3	1505-T	Brass 2-Valve Body
4	PF-263-B	Brass Seat
5	1028-Y	Nylon Gasket
6	104	Brass Seat Washer
7	901-WNN	Seat Washer
8	1548-CT	Right Thread Brass Stem
9	1549-CT	Right Thread Brass Bonnet
10	4-L	Brass Washer
11	814-BARP	Packing
12	765-TA	Brass Packing Nut
13	269-29/16	Brass Threaded Nipple
14	521-B	Escutcheon
15	508-C	Handle Index "C"
15	508-H	Handle Index "H"
16	107-F	Brass Phillips Head Screw
17	264-TVA	Transfer Valve
18	SU-1548-CTP	Right Thread Stem Assembly
19	3061-AZ1/2	Diverter Spout
20	1035-SS	Shower Arm
21	714-WT-02	Brass Shower Arm
22	3034-1/2-02	Showerhead

The parts listed in the parts breakdown above may not be offered separately as replacement parts. Please review the Replacement Parts page for the authorized replacement parts that are available for this item.

Central Brass

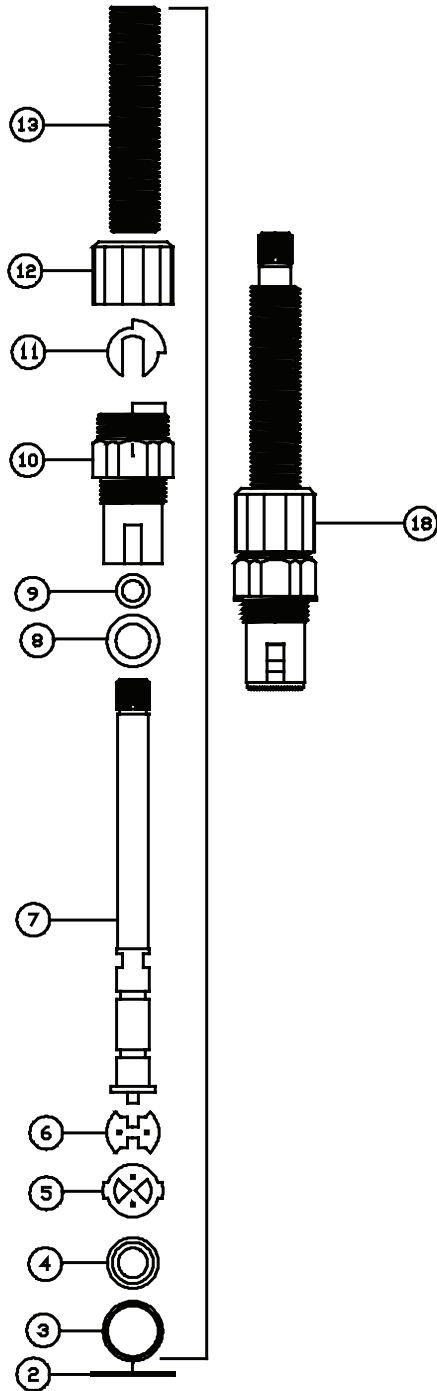
COMPANY

Brecksville, Ohio 44141

Phone: (216) 883-0220 Fax: (440) 526-5745

www.CentralBrass.com

Model Nos.
0997 80997
TWO-VALVE
BATH/SHOWER FITTING



80997 Ceramic Stem Parts replaces compression stem SU-1548-CTP

Parts Breakdown

#	Part #	Description
2	1028-Y	Nylon Gasket
3	184-A	Celcon Retainer
4	183-A	Rubber Seal
5	182	Ceramic Disc - Lower
6	181	Ceramic Disc - Upper
7	351-S	Brass Stem
8	180	Celcon Washer
9	1038-E14	O-Ring
10	351-B	Brass Bonnet
11	351-W	Brass Stop Washer
12	351-C	Brass Cap
13	269-29/16	Brass Threaded Nipple
18	SU-351-L	Left Thread Ceramic Disc Cartridge

The parts listed in the parts breakdown above may not be offered separately as replacement parts. Please review the Replacement Parts page for the authorized replacement parts that are available for this item.