

# Central Brass

C O M P A N Y

Brecksville, Ohio 44141

Phone: (216) 883-0220 Fax: (440) 526-5745

www.CentralBrass.com

0950    0958    0968    80968

## THREE-VALVE BATH/SHOWER FITTING

The three-valve bath and shower fitting is made with a cast brass body with replaceable seats (for compression stems only) designed for I.P. union connections. The stem units are all brass, with a reinforced rubber packing and rubber seat washer (for compression stems) or ceramic sealing discs (for ceramic units). The stem units can be easily replaced from the front of the fitting without removing the valve body. The handles and escutcheons are zinc die cast with a chrome plated finish. The shower arm is brass with a chrome plated finish, the escutcheon is stainless steel, and the shower head is chrome plated plastic. The 1/2-inch IPS spout is brass or Zamak (Z suffix) with a chrome plated finish. Direct sweat union sleeves (C suffix).

ASME A112.18.1M

Shower Flow Rate 2.5 gpm @ 80 psi



### Model Nos.

0950    0958    0968    80968

## THREE-VALVE BATH/SHOWER FITTING

### 8" Centers, I.P. Unions, Compression Stems, Replaceable Seats

<b>0950 Series</b>	Bath Valve only
<b>0958 Series</b>	Bath Valve with Spout
<b>0968 Series</b>	Bath Valve with Spout & Shower

### 8" Centers, I.P. Unions, with Ceramic Stems and Spout & Shower

<b>80968 Series</b>	Bath Valve with Spout & Shower
---------------------	--------------------------------

# Central Brass

COMPANY

Brecksville, Ohio 44141

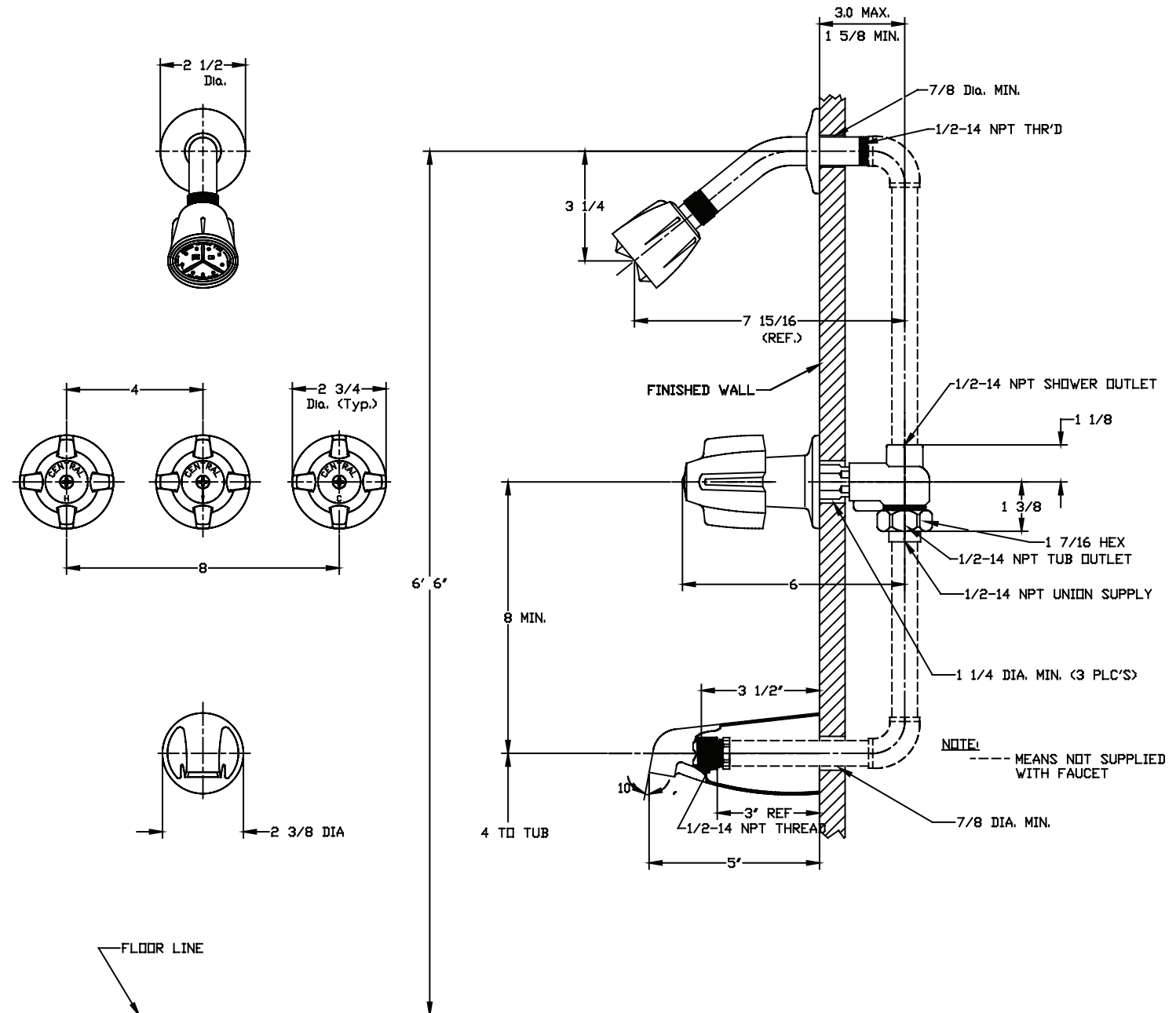
Phone: (216) 883-0220 Fax: (440) 526-5745

www.CentralBrass.com

**0950 0958 0968 80968**

**THREE-VALVE  
BATH/SHOWER FITTING**

## Installation Drawing



# Central Brass

C O M P A N Y

Brecksville, Ohio 44141

Phone: (216) 883-0220 Fax: (440) 526-5745

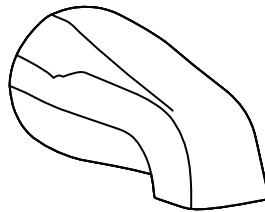
www.CentralBrass.com

0950   0958   0968   80968

**THREE-VALVE  
BATH/SHOWER FITTING**

## *Spout variations available*

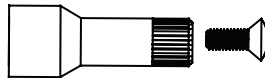
Z - Suffix  
Zamak Spout



3154-Z

## *Accessories available*

Brass  
Stem Extension



G-1548-ET  
(Available Separately)  
Used for thicker wall dimensions

# Central Brass

COMPANY

Brecksville, Ohio 44141

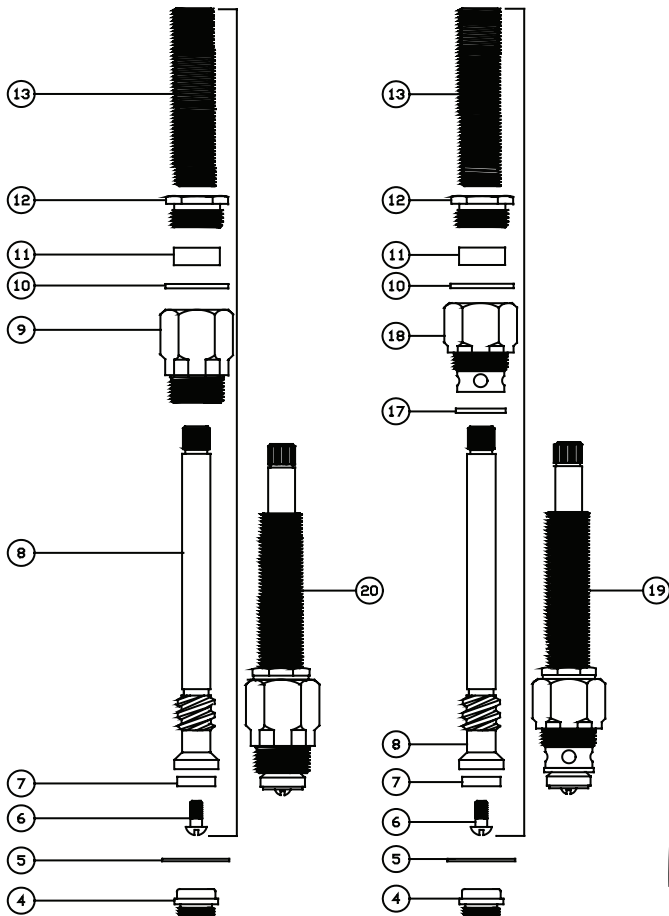
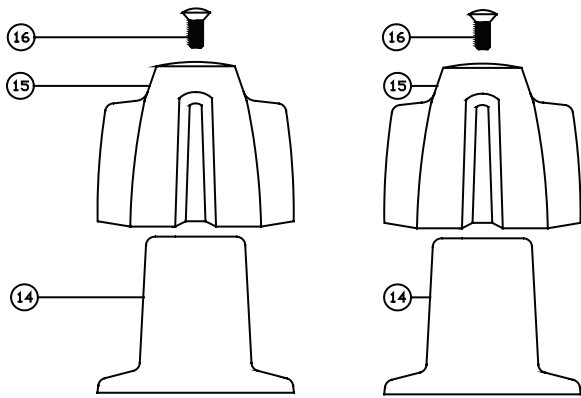
Phone: (216) 883-0220 Fax: (440) 526-5745

www.CentralBrass.com

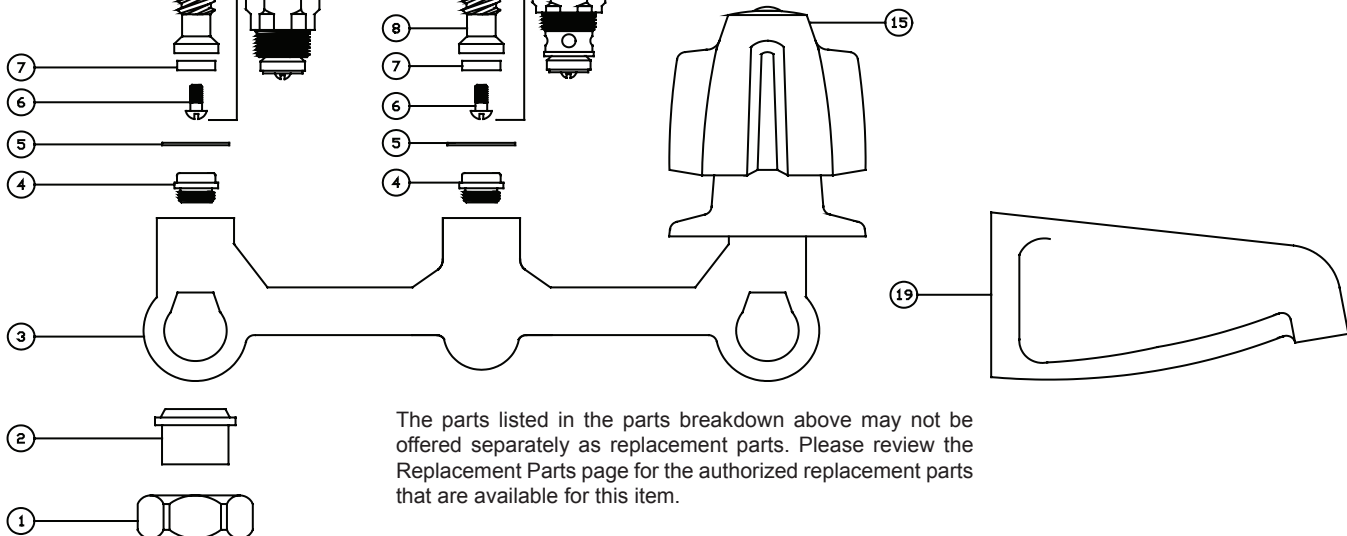
**0950 0958 0968 80968**

## THREE-VALVE BATH/SHOWER FITTING

### Parts Breakdown



#	Part #	Description
1	1876-BB	Brass Coupling
2	1875	Brass Union
3	1509	Brass 3-Valve Body
4	PF-263-B	Brass Seat
5	1028-Y	Nylon Gasket
6	104	Brass Seat Washer Screw
7	901-WNN	Seat Washer
8	1548-CT	Right Thread Brass Stem
9	1549-CT	Right Thread Brass Bonnet
10	4-L	Brass Washer
11	814-BARP	Packing
12	765-TA	Brass Packing Nut
13	269-29/16	Brass Threaded Nipple
14	521-B	Escutcheon
15	508-C	Handle Indexed "C"
15	508-D	Handle Indexed Arrow
15	508-H	Handle Indexed "H"
16	107-F	Brass Phillips Head Screw
17	4-N	Celcon Washer
18	1588-CT	Right Thread Brass Bonnet
19	SU-1548-CTDP	Diverter Stem Assembly
20	SU-1548-CTP	Right Thread Stem Assembly
21	3154-D	Brass Spout for 0958 & 0968 series only)
21	3154-Z	Zamak Spout (for 0958 & 0968 "Z" suffix only)
22	1035-SS	Shower Arm Flange (for 0968 series only)
23	714-WT-02	Brass Shower Arm (for 0968 series only)
24	3034-1/2-02	Showerhead (for 0968 series only)



The parts listed in the parts breakdown above may not be offered separately as replacement parts. Please review the Replacement Parts page for the authorized replacement parts that are available for this item.

# Central Brass

COMPANY

Brecksville, Ohio 44141

Phone: (216) 883-0220 Fax: (440) 526-5745

www.CentralBrass.com

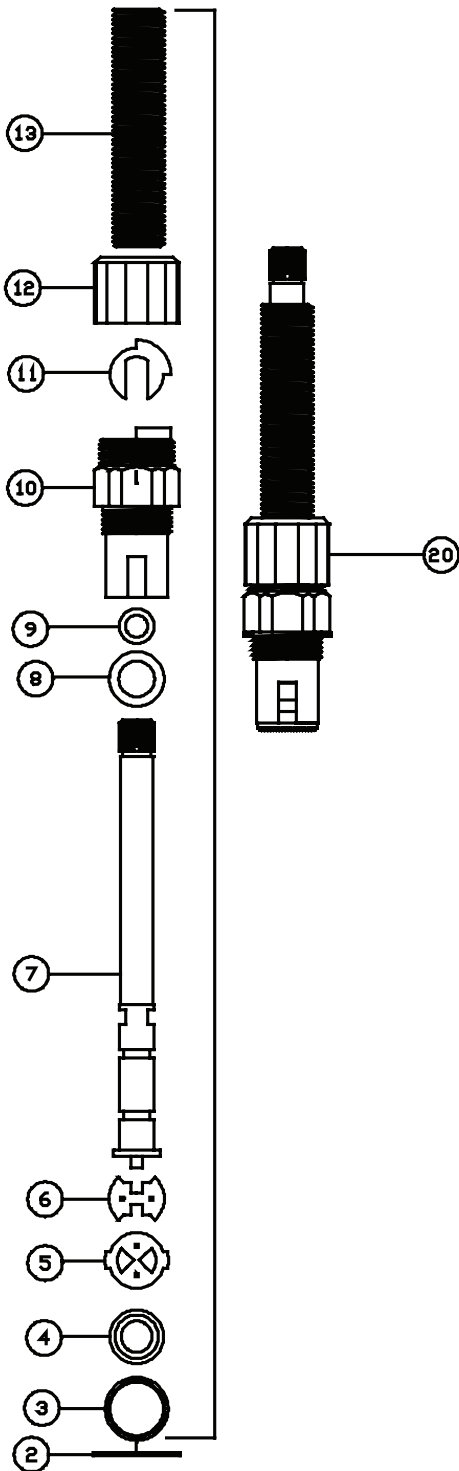
**0950 0958 0968 80968**

**THREE-VALVE  
BATH/SHOWER FITTING**

## 80968

**Ceramic Stem Parts  
replaces compression stem  
SU-1548-CTP**

### Parts Breakdown



#	Part #	Description
2	1028-Y	Nylon Gasket
3	184-A	Celcon Retainer
4	183-A	Rubber Seal
5	182	Ceramic Disc - Lower
6	181	Ceramic Disc - Upper
7	351-S	Brass Stem
8	180	Celcon Washer
9	1038-E14	O-Ring
10	351-B	Brass Bonnet
11	351-W	Brass Stop Washer
12	351-C	Brass Cap
13	269-29/16	Brass Threaded Nipple
20	SU-351-L	Left Thread Ceramic Disc Cartridge

The parts listed in the parts breakdown above may not be offered separately as replacement parts. Please review the Replacement Parts page for the authorized replacement parts that are available for this item.