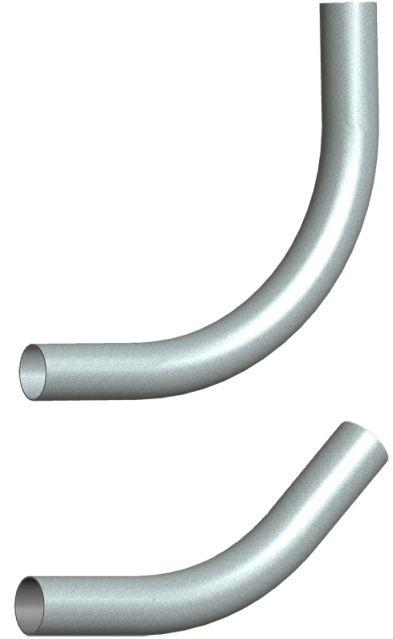
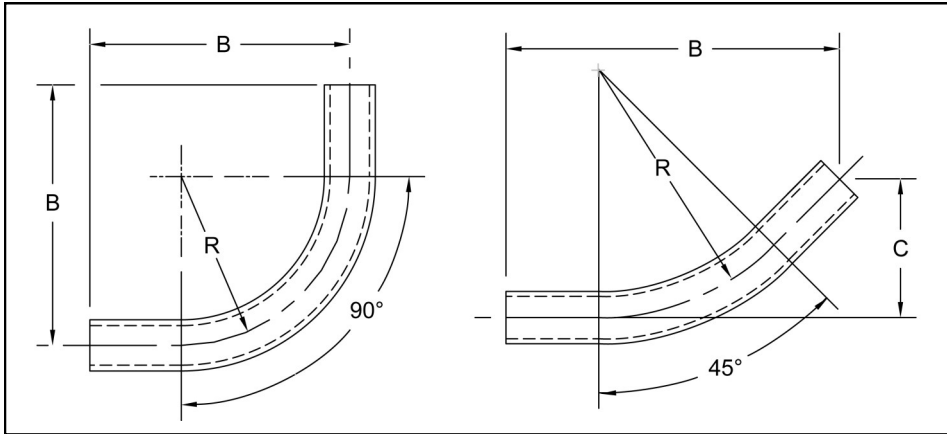


EMT Elbows 90° and 45°



Standard Radius				
Size	Radius R	90° B Dim.	45° B Dim.	45° C Dim.
1/2	4	6-3/16	7	2-7/8
3/4	4-1/2	6-11/16	7-7/8	3-1/4
1	5-3/4	8-9/16	8-15/16	3-11/16
1-1/4	7-1/4	10	9-11/16	4
1-1/2	8-1/4	11-1/2	11-3/8	4-11/16
2	9-1/2	14-1/16	14	5-13/16
2-1/2	10-1/2	16	19-3/8	8
3	13	20	22	9-1/8
3-1/2	15	23	23-13/16	9-7/8
4	16	24-7/16	25-1/16	10-3/8

Special Radius				
Radius R	Sizes Available	90° B Dim.	45° B Dim.	45° C Dim.
12	1-1/4 thru 2	21	23-7/8	9-7/8
15	1-1/2 thru 2	24	26	10-3/4
18	1-1/4 thru 2	28	29-3/4	12-3/8
24	2 thru 3-1/2	35	35-3/4	14-13/16
30	3 thru 4	41	40	16-9/16
36	1-1/2 thru 4	47	44-1/4	18-5/16
42	3-1/2 thru 4	54	50-1/8	20-13/16
48	1-1/2, 3 thru 4	60	54-3/8	22-9/16

Material: Galvanized Steel EMT Elbows are listed cUL_{US} and meet requirements of both CSA and UL.

Note: 11-1/4°, 15°, 22-1/2°, 30° and 60° Elbows are also available.