

READ AND SAVE THESE INSTRUCTIONS

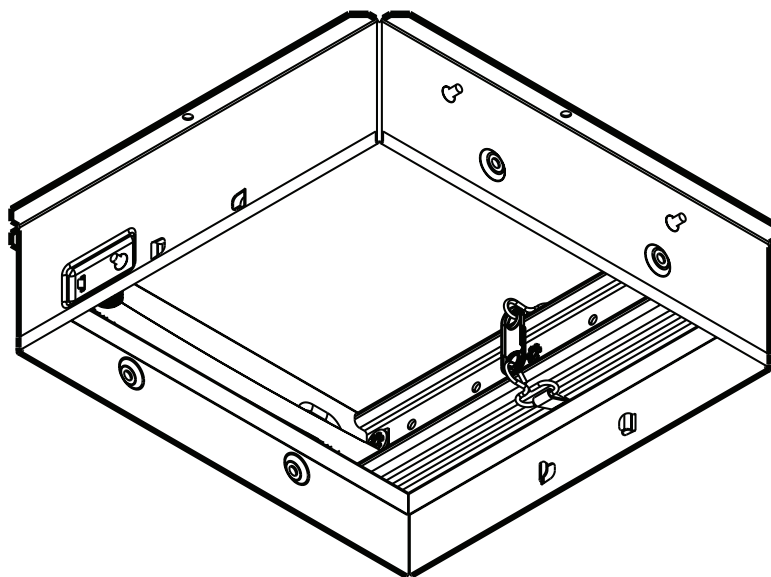
Installer: leave this guide with homeowner.

Register your product online at: www.broan.com/register or www.nutone.com/register.

RDM1

Radiation Damper

INSTALLATION GUIDE



Easy installation

Usage

For use with 1, 2 or 3-Hour-Rated Floor-Ceiling and Roof-Ceiling Designs.

Flat Ceiling / Horizontal Mount Only.

For use with the following ventilation fan models:

Broan A000HF, A000HFC, A000HL, A110, A110C, A110F, A110FC, A110HF, A80, A80C, A80F, A80FC, A80HD, A80HDF, AE110, AE110C, AE110F, AE110FC, AE110L, AE50, AE50F, AE80, AE80B, AE80BF, AE80BL, AE80BLF, AE80F, AE80L, AE80LF, AE80S, AE80SL, AE110S, AE110SL, A000HFS

NuTone AEN110, AEN110C, AEN110F, AEN110L, AEN50, AEN50F, AEN80, AEN80B, AEN80BF, AEN80BL, AEN80BLF, AEN80F, AEN80L, AEN80LF, AN000HF, AN000HFC, AN000HL, AN110, AN110C, AN110F, AN110FC, AN110HF, AN80C, AN80FC, AN80HDF

Acme VQ0085

PennBarry Z2-E

Twin City T110

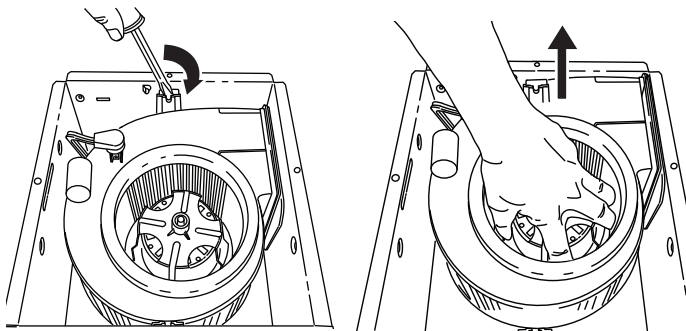
York C12-E



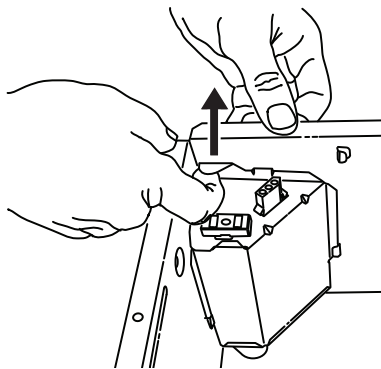
SEE DETAILS ON
 UL CLASSIFICATION
 MARKING ON PRODUCT

Remove Blower & Wiring Panel

The following steps are best performed on a work surface before fan installation. Protect counter tops by placing corrugated sheet under the fan.

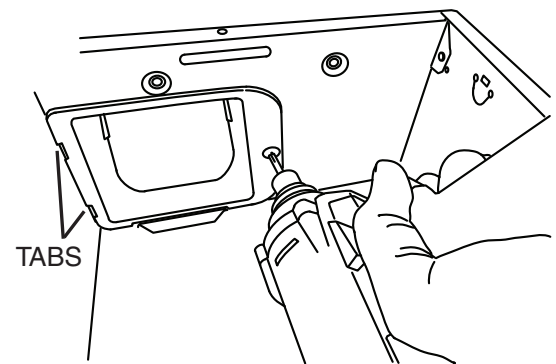


1. Remove blower and all packing material from fan housing.



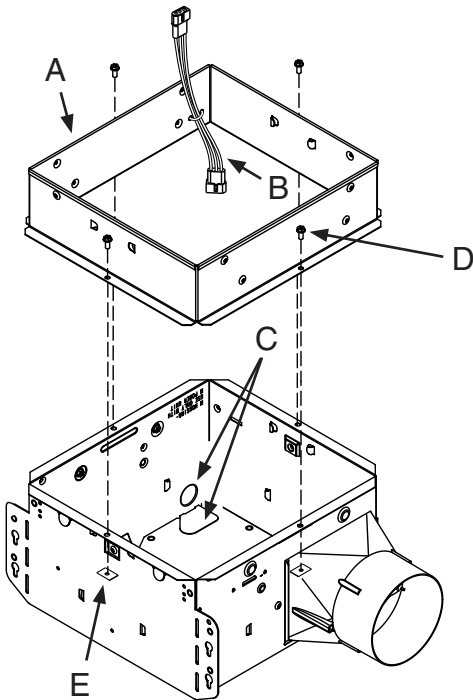
2. Remove wiring panel from fan housing.

Install Duct Connector



3. Install duct connector supplied with fan.
 - a. Push duct connector through opening from inside of housing.
 - b. Engage tabs and secure with #8-18 hex head screw from parts bag.

Attach Radiation Damper Extension to Fan Housing

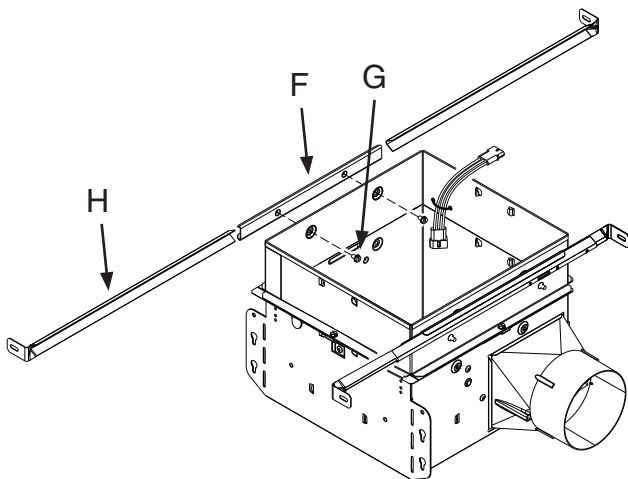


4. Attach **RADIATION DAMPER EXTENSION (A)** to the fan housing.

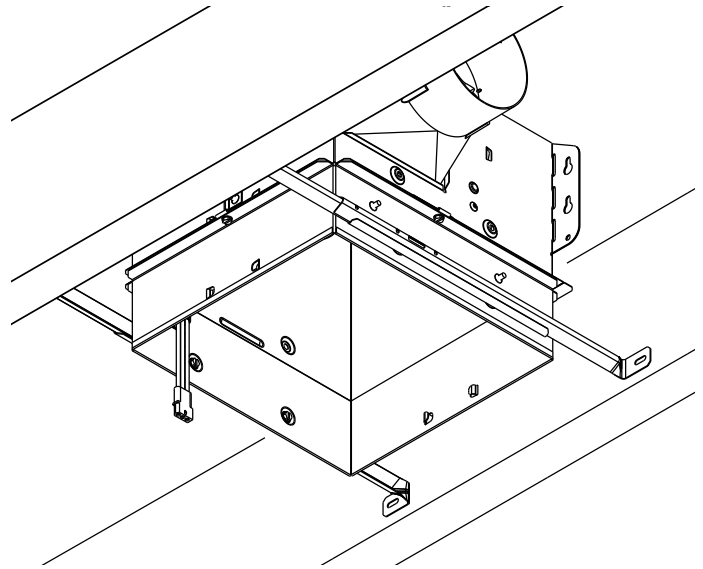
For lighted units only: Make sure **WIRE HARNESS (B)** is positioned above 7/8" diameter **ELECTRICAL ACCESS HOLES (C)**.

5. Use (4) **#8 x 3/8" SHEET METAL SCREWS (D)** and 4 **SHEET METAL NUTS (E)** supplied in radiation damper parts bag.

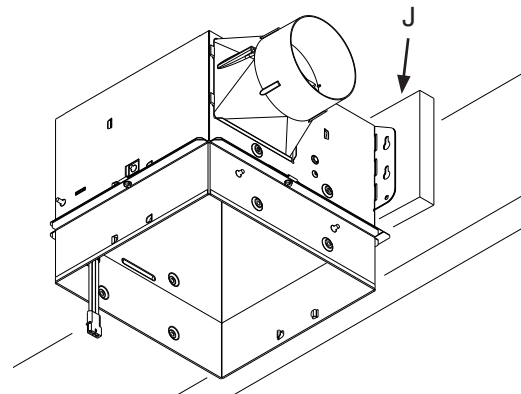
Install Fan Housing



6. If fan will be mounted between ceiling structure, purchase Hanger Bar Kit MHB4 from your local Broan-NuTone dealer or distributor.
 - a. Fasten (2) **MOUNTING CHANNELS (F)** to the fan housing or radiation damper with supplied **#8 HEX HEAD SCREWS (G)**.
 - b. Install (2) **SUPPORT BARS (H)** per side.



- c. Lift fan housing up into position in ceiling support structure.
- d. **MAKE SURE BOTTOM EDGE OF RADIATION DAMPER IS FLUSH WITH INTERIOR SIDE OF FINISHED CEILING.**
- e. Extend support bars and secure to ceiling structure with #8 (M4) sheet metal screws or 1/4" diameter bolts with nuts.



7. If the fan will be mounted directly to the ceiling support structure:
 - a. **MAKE SURE BOTTOM EDGE OF RADIATION DAMPER IS FLUSH WITH INTERIOR SIDE OF FINISHED CEILING.**
 - b. Additional **BLOCKING (J)** may be necessary to securely fasten fan housing to ceiling support structure.

Attach 4-inch Round Metal Duct

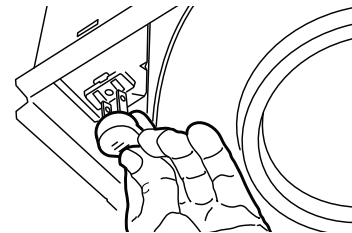
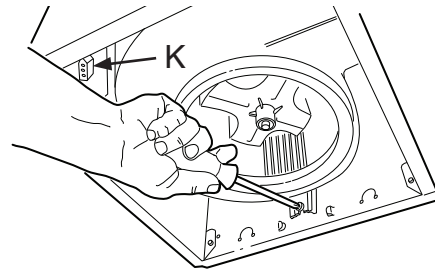
8. Attach 4-inch round metal duct to the duct connector and discharge air to an outside location. Seal all joints with duct tape.
9. Make sure damper flap opens and closes freely without binding.

Connect Wiring

10. Refer to instructions supplied with the fan for various electrical wiring options.
11. Install electrical box cover removed in Step 2. Secure with one #8-18 hex head screw provided in fan parts bag.
12. Lighted fan models: Connect **WIRE HARNESS (B)** from radiation damper extension to the **CONNECTOR (K)** on the wiring box.

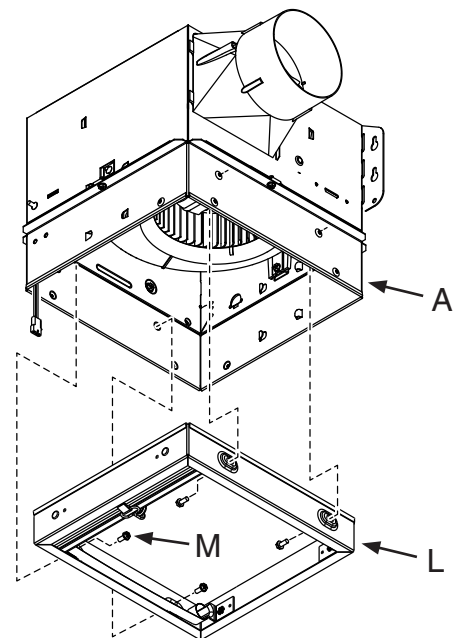
Non-lighted fan models: **WIRE HARNESS (B)** from radiation damper extension is not used and can be removed. Cut wire tie and discard the harness.

Install Blower into Fan Housing



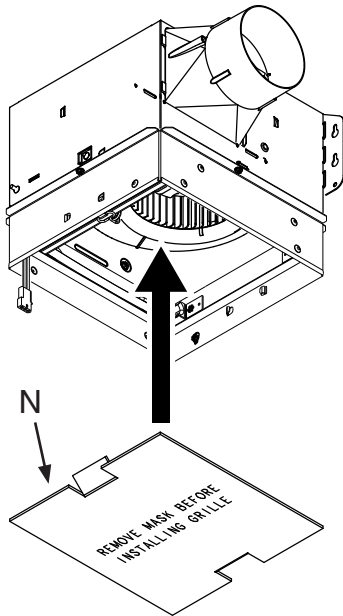
13. Push blower straight up in fan housing and snap into position.
14. Secure blower with (2) #8-18 hex head screws from the fan parts bag.
15. Plug blower motor into receptacle located on wiring panel.

Attach Radiation Damper



16. Align **RADIATION DAMPER (L)** holes with holes in the fan **EXTENSION (A)**.
17. Push radiation damper up into the fan extension. Make sure flange is installed as shown. Label inside damper shows correct installation position.
18. Fasten radiation damper to the fan extension with (4) **#8 X 3/8" SHEET METAL SCREWS (M)** from the radiation damper parts bag.

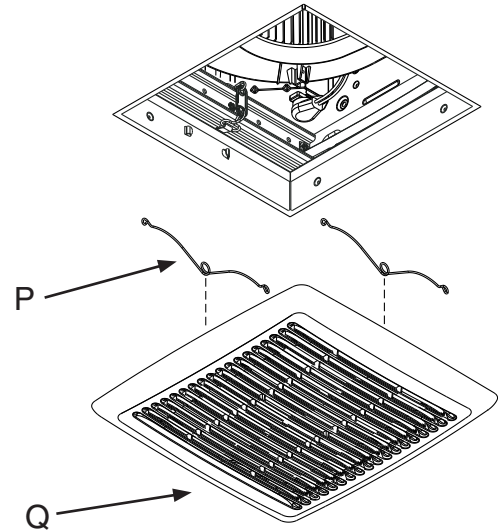
Install Mask, Finish Ceiling and Install Plaster Supports



19. Install **CORRUGATED MASK (N)** supplied with the fan to protect unit from drywall spray, construction dust, etc.
20. Finish the ceiling around radiation damper opening. Ceiling opening must be no larger than the outside of the radiation damper.

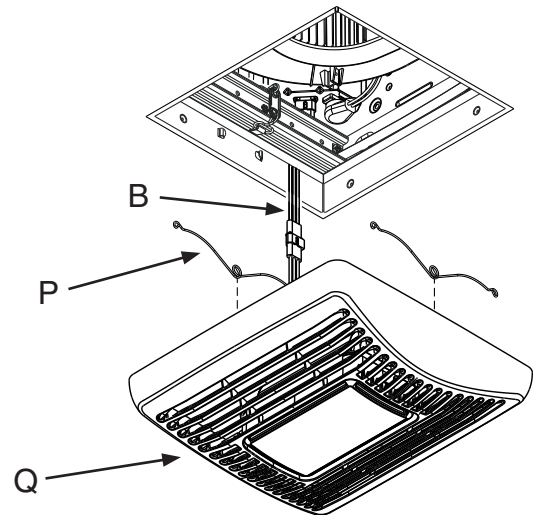
Install Grille

REMOVE THE MASK BEFORE INSTALLING GRILLE OR OPERATING FAN.



FOR FAN MODELS WITHOUT LIGHTS

21. Squeeze **GRILLE SPRINGS (P)** and slide into tabs on the radiation damper frame. Push **GRILLE (Q)** until it's tight against ceiling surface.
22. Follow instructions packed with the fan to finish the installation.



FOR FAN MODELS WITH LIGHTS

21. Attach connector from the **WIRE HARNESS (B)** to mating connector from the grille.
22. Squeeze **GRILLE SPRINGS (P)** and slide into tabs on the radiation damper frame. Push **GRILLE (Q)** until it's tight against ceiling surface.
23. Follow instructions packed with the fan to finish the installation.

Service Feature For Fans

If your ventilation fan needs service, the inner damper can be removed from the outer frame without disturbing the surrounding ceiling material.

Remove the grille and disconnect all electrical connections from the grille (if lighted).

Remove screws from plaster supports. Make sure plaster supports are reinstalled after servicing fan.

Remove (4) screws from the radiation damper. Completely remove radiation damper to access blower. Replace the inner damper before operating fan.

Warranty

Limited Warranty

Warranty Period and Exclusions: Broan-NuTone LLC (the “Company”) warrants to the original consumer purchaser of its product (“you”) that the product (the “Product”) will be free from material defects in the Product or its workmanship for a period of one (1) year from the date of original purchase.

The limited warranty period for any replacement parts provided by the Company and for any Products repaired or replaced under this limited warranty shall be the remainder of the original warranty period.

This warranty does not cover speed controls, fluorescent lamp starters, tubes, halogen and incandescent bulbs, fuses, filters, ducts, roof caps, wall caps and other accessories for ducting that may be purchased separately and installed with the Product. This warranty also does not cover (a) normal maintenance and service, (b) normal wear and tear, (c) any Products or parts which have been subject to misuse, abuse, abnormal usage, negligence, accident, improper or insufficient maintenance, storage or repair (other than repair by the Company), (d) damage caused by faulty installation, or installation or use contrary to recommendations or instructions, (e) any Product that has been moved from its original point of installation, (f) damage caused by environmental or natural elements, (g) damage in transit, (h) natural wear of finish, (i) Products in commercial or nonresidential use, or (j) damage caused by fire, flood or other act of God. This warranty covers only Products sold to original consumers in the United States by the Company or U.S. distributors authorized by the Company.

This warranty supersedes all prior warranties and is not transferable from the original consumer purchaser.

No Other Warranties: This Limited Warranty contains the Company’s sole obligation and your sole remedy for defective products. The foregoing warranties are exclusive and in lieu of any other warranties, express or implied. **THE COMPANY DISCLAIMS AND EXCLUDES ALL OTHER EXPRESS WARRANTIES, AND DISCLAIMS AND EXCLUDES ALL WARRANTIES IMPLIED BY LAW, INCLUDING WITHOUT LIMITATION THOSE OF MERCHANTABILITY AND FITNESS FOR A PARTICULAR PURPOSE.** To the extent that applicable law prohibits the exclusion of implied warranties, the duration of any applicable implied warranty is limited to the period specified for the express warranty above. Some states do not allow limitations on how long an implied warranty lasts, so the above limitation may not apply to you. Any oral or written description of the Product is for the sole purpose of identifying it and shall not be construed as an express warranty.

Whenever possible, each provision of this Limited Warranty shall be interpreted in such manner as to be effective and valid under applicable law, but if any provision is held to be prohibited or invalid, such provision shall be ineffective only to the extent of such prohibition or invalidity, without invalidating the remainder of such provision or the other remaining provisions of the Limited Warranty.

Remedy: During the applicable limited warranty period, the Company will, at its option, provide replacement parts for, or repair or replace, without charge, any Product or part thereof, to the extent the Company finds it to be covered by and in breach of this limited warranty under normal use and service. The Company will ship the repaired or replaced Product or replacement parts to you at no charge. You are responsible for all costs for removal, reinstallation and shipping, insurance or other freight charges incurred in the shipment of the Product or part to the Company. If you must send the Product or part to the Company, as instructed by the Company, you must properly pack the Product or part—the Company is not responsible for damage in transit. The Company reserves the right to utilize reconditioned, refurbished, repaired or remanufactured Products or parts in the warranty repair or replacement process. Such Products and parts will be comparable in function and performance to an original Product or part and warranted for the remainder of the original warranty period.

Exclusion of Damages: **THE COMPANY’S OBLIGATION TO PROVIDE REPLACEMENT PARTS, OR REPAIR OR REPLACE, AT THE COMPANY’S OPTION, SHALL BE YOUR SOLE AND EXCLUSIVE REMEDY UNDER THIS LIMITED WARRANTY AND THE COMPANY’S SOLE AND EXCLUSIVE OBLIGATION. THE COMPANY SHALL NOT BE LIABLE FOR INCIDENTAL, INDIRECT, CONSEQUENTIAL OR SPECIAL DAMAGES ARISING OUT OF OR IN CONNECTION WITH THE PRODUCT, ITS USE OR PERFORMANCE.**

Some states do not allow the exclusion or limitation of incidental or consequential damages, so the above limitation or exclusion may not apply to you. This warranty gives you specific legal rights, and you may also have other rights, which vary from state to state.

This warranty covers only replacement or repair of defective Products or parts thereof at the Company’s main facility and does not include the cost of field service travel and living expenses.

Any assistance the Company provides to or procures for you outside the terms, limitations or exclusions of this limited warranty will not constitute a waiver of such terms, limitations or exclusions, nor will such assistance extend or revive the warranty.

The Company will not reimburse you for any expenses incurred by you in repairing or replacing any defective Product, except for those incurred with the Company’s prior written permission.

How to Obtain Warranty Service: To qualify for warranty service, you must (a) notify the Company at the address or telephone number stated below within seven (7) days of discovering the covered defect, (b) give the model number and part identification and (c) describe the nature of any defect in the Product or part. At the time of requesting warranty service, you must present evidence of the original purchase date. If you cannot provide a copy of the original written limited warranty, then the terms of the Company’s most current written limited warranty for your particular product will control. The most current limited written warranties for the Company’s products can be found at www.broan.com.

Broan-NuTone LLC 926 West State Street Hartford, WI 53027 www.broan.com 800-637-1453

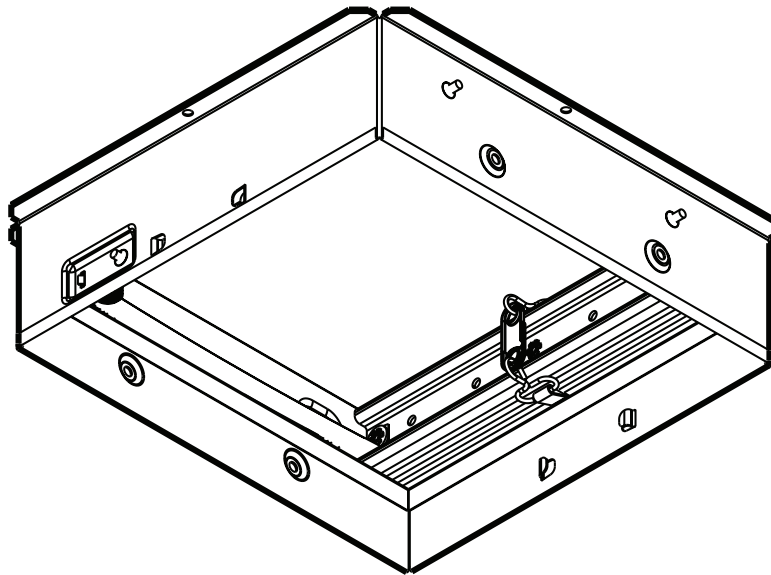
LEA Y CONSERVE ESTAS INSTRUCCIONES

Instalador: Deje esta guía con el dueño de la casa.

Registre su producto en el sitio web: www.broan.com/register o www.nutone.com/register.

**GUÍA DE
INSTALACIÓN**

del Regulador de radiación
RDM1



Instalación sencilla

Uso

Para usarse en los diseños de piso a cielo raso y techo a cielo raso con clasificación de 1, 2 o 3 horas.

Solamente montaje horizontal / en cielo raso plano.

Para usarse con los siguientes modelos de ventilador:

Broan A000HF, A000HFC, A000HL, A110, A110C, A110F, A110FC, A110HF, A80, A80C, A80F, A80FC, A80HD, A80HDF, AE110, AE110C, AE110F, AE110FC, AE110L, AE50, AE50F, AE80, AE80B, AE80BF, AE80BL, AE80BLF, AE80F, AE80L, AE80LF, AE80S, AE80SL, AE110S, AE110SL, A000HFS

NuTone AEN110, AEN110C, AEN110F, AEN110L, AEN50, AEN50F, AEN80, AEN80B, AEN80BF, AEN80BL, AEN80BLF, AEN80F, AEN80L, AEN80LF, AN000HF, AN000HFC, AN000HL, AN110, AN110C, AN110F, AN110FC, AN110HF, AN80C, AN80FC, AN80HDF

Acme VQ0085

PennBarry Z2-E

Twin City T110

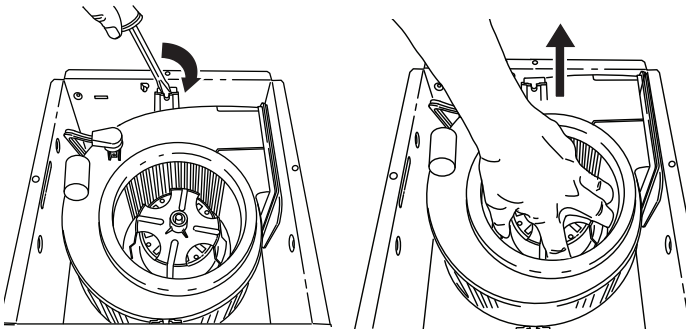
York C12-E



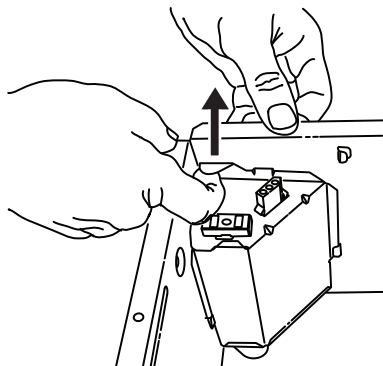
VER DETALLES EN
LAS MARCAS DE
CLASIFICACIÓN UL
DEL PRODUCTO

Retire el soplador y el panel de cableado

Los siguientes pasos se realizan mejor sobre una superficie de trabajo antes de instalar el ventilador. Proteja el mostrador colocando una hoja corrugada debajo del ventilador.

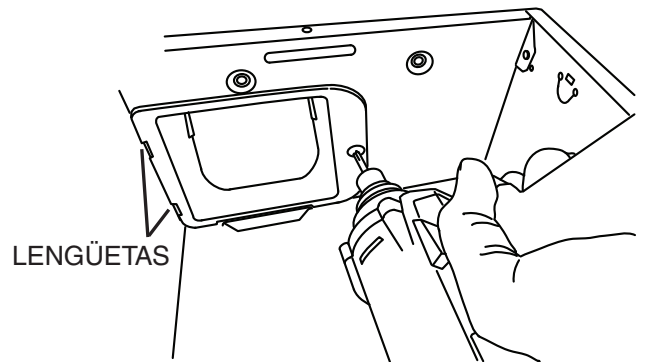


1. Retire el soplador y todo el material de embalaje de la cubierta del ventilador.



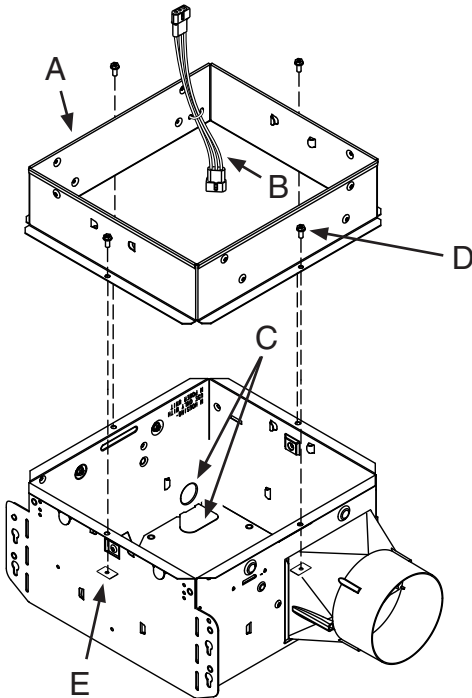
2. Retire el panel de cableado de la cubierta del ventilador.

Instale el conector de conducto



3. Instale el conector de conducto que se suministra con el regulador de radiación.
 - a. Empuje el conector de conducto a través de la abertura desde el interior de la cubierta.
 - b. Enganche las lengüetas y fíjelas con el tornillo de cabeza hexagonal de 8-18 incluido en la bolsa de piezas.

Fije la extensión del regulador de radiación a la cubierta del ventilador

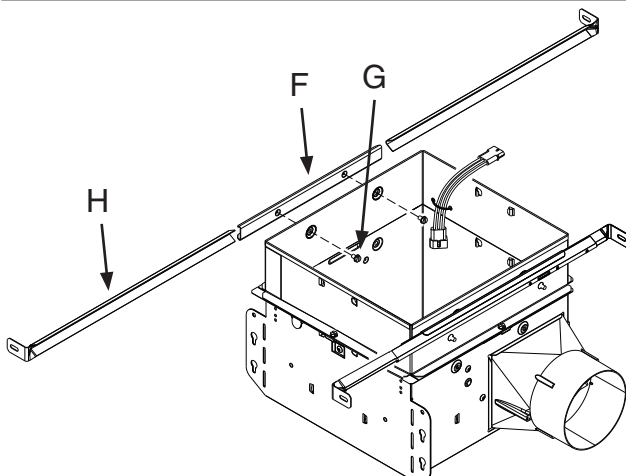


4. Fije la **EXTENSIÓN DEL REGULADOR DE RADIACIÓN (A)** en la carcasa del ventilador.

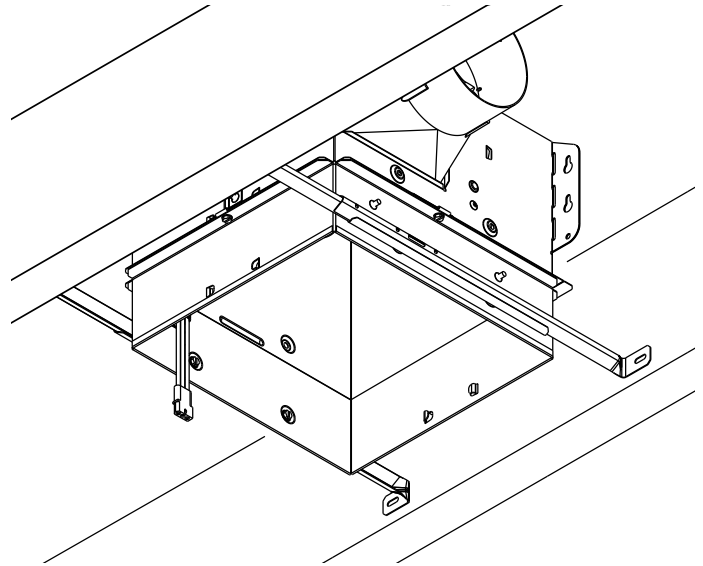
Sólo para unidades iluminadas: Asegúrese de colocar el **MAZO DE CABLES (B)** por encima de los **AGUJEROS PARA ACCESO ELÉCTRICO (C)** de 7/8 pulg. de diámetro.

5. Use los cuatro (4) **TORNILLOS DE CHAPA METÁLICA de 8 x 3/8 pulg. (D)** y las cuatro (4) **TUERCAS DE CHAPA METÁLICA (E)** que se suministran en la bolsa de piezas del regulador de radiación.

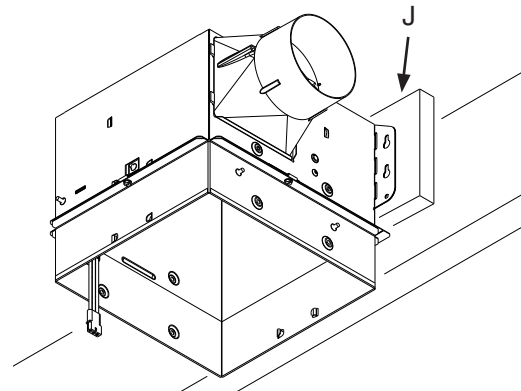
Instalación de la carcasa del ventilador



6. Si el ventilador se montará **entre** las estructuras del cielo raso, compre el juego de barras de suspensión MHB4 en su distribuidor o concesionario local de Broan-NuTone.
 - a. Sujete los (2) **CANALES DE MONTAJE (F)** a la carcasa del ventilador o al regulador de radiación con los **TORNILLOS DE CABEZA HEXAGONAL #8 SUMINISTRADOS (G)**.



- b. Instale (2) **BARRAS DE SOPORTE (H)** en cada lado.
- c. Levante la carcasa del ventilador hasta su posición en la estructura de soporte del cielo raso.
- d. **ASEGÚRESE DE QUE EL BORDE INFERIOR DEL REGULADOR DE RADIACIÓN ESTÉ AL RAS CON EL LADO INTERIOR DEL CIELO RASO TERMINADO.**
- e. Extienda las barras de soporte y fíjelas a la estructura del cielo raso con tornillos de chapa metálica #8 (M4) o tornillos de 1/4 pulg. de diámetro con tuercas.



7. Si el ventilador se monta directamente en la estructura de soporte del cielo raso:
 - a. **ASEGÚRESE DE QUE EL BORDE INFERIOR DEL REGULADOR DE RADIACIÓN ESTÉ AL RAS CON EL LADO INTERIOR DEL CIELO RASO TERMINADO.**
 - b. Puede ser necesario **BLOQUES (J)** adicionales para fijar firmemente la carcasa del ventilador a la estructura de soporte del techo.

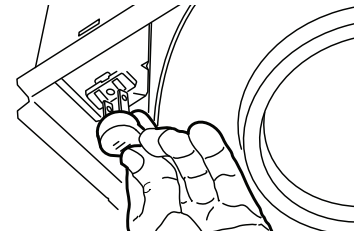
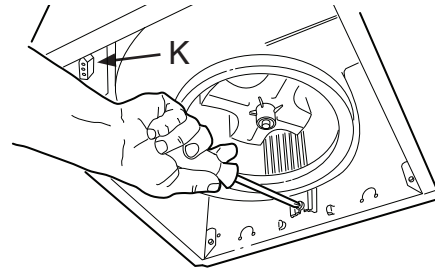
Fije el conducto metálico redondo de 4 pulgadas

- Fije el conducto metálico redondo de 4 pulgadas al conector para conductos y haga que se descargue el aire en un lugar en el exterior. Selle todas las juntas con cinta para conductos.
- Asegúrese de que el regulador de tiro abra y cierre libremente sin trabarse.

Conecte el cableado

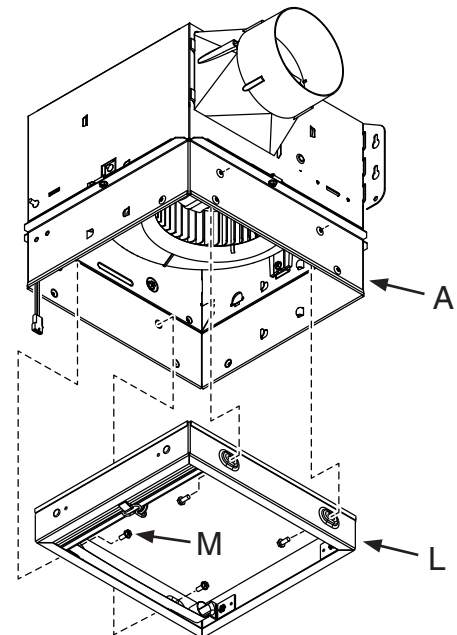
- Consulte las instrucciones suministradas con el ventilador para ver las diferentes opciones de cableado eléctrico.
 - Instale la cubierta de la caja eléctrica que quitó en el paso 2. Asegúrela con el tornillo de cabeza hexagonal de 8-18 suministrado en la bolsa de piezas.
 - Modelos de ventilador con luz: Conecte el **MAZO DE CABLES (B)** desde la extensión del regulador de radiación hacia el **CONECTOR (K)** en la caja de cableado.
- Modelos de ventilador sin luz: El **MAZO DE CABLES (B)** desde la extensión del regulador de radiación no se usa y puede ser retirado. Corte el sujetador de los cables y deseche el mazo.

Instale el soplador en la cubierta del ventilador



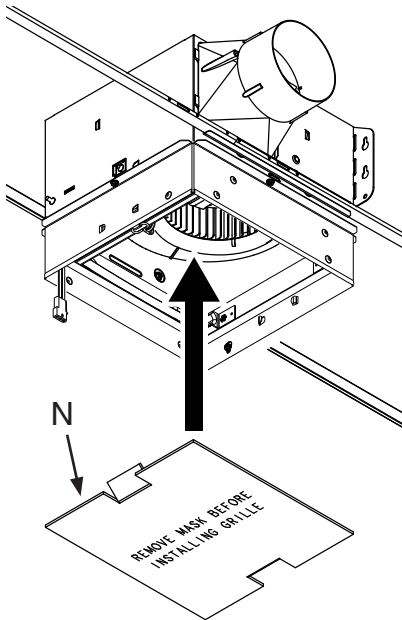
- Presione el soplador directamente hacia arriba dentro de la cubierta del ventilador y haga que encaje a presión en su lugar.
- Asegure el soplador con dos (2) tornillos de cabeza hexagonal de 8-18 de la bolsa de piezas del ventilador.
- Enchufe el motor del soplador en el receptáculo situado en el panel de cableado.

Fije el regulador de radiación



- Alinee los orificios del **REGULADOR DE RADIACIÓN (L)** con los orificios en la **EXTENSIÓN (A)** del ventilador.
- Empuje el regulador de radiación hacia la extensión del ventilador. Asegúrese de que la brida esté instalada tal como se muestra. La etiqueta que está en el interior del regulador muestra la posición de instalación correcta.
- Fije el regulador de radiación a la extensión del ventilador con cuatro (4) **TORNILLOS DE CHAPA METÁLICA # 8 x 3/8 PULG. (M)** de la bolsa de piezas del regulador de radiación.

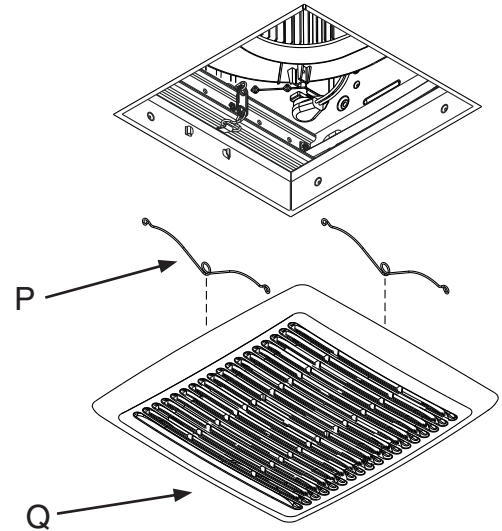
Instale la cobertura, termine el cielo raso e instale soportes de yeso



19. Instale la **COBERTURA CORRUGADA (N)** suministrada con el ventilador a fin de proteger la unidad contra los rociados de yeso, polvos de construcción, etc.
20. Termine el cielo raso alrededor de la abertura del regulador. La abertura del cielo raso no debe ser más grande que el exterior del regulador de radiación.

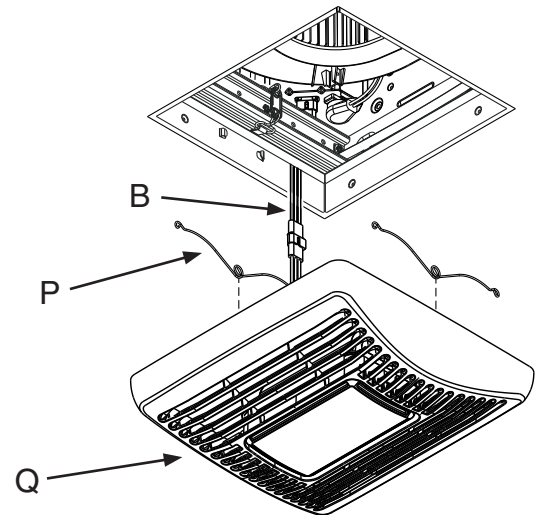
Instale la rejilla

QUITE LA COBERTURA ANTES DE INSTALAR LA REJILLA O DE ACTIVAR EL VENTILADOR.



PARA MODELOS DE VENTILADOR SIN LUCES

21. Comprima los **RESORTES DE LA REJILLA (P)** y deslícelos dentro de las lengüetas del marco del regulador de radiación. Empuje la **REJILLA (Q)** hasta que esté firme contra la superficie del cielo raso.
22. Siga las instrucciones incluidas con el ventilador para finalizar la instalación.



PARA MODELOS DE VENTILADOR CON LUCES

21. Fije el conector del **MAZO DE CABLES (B)** a los conectores correspondientes de la rejilla.
22. Comprima los **RESORTES DE LA REJILLA (P)** y deslícelos dentro de las lengüetas del marco del regulador de radiación. Empuje la **REJILLA (Q)** hasta que esté firme contra la superficie del cielo raso.
23. Siga las instrucciones incluidas con el ventilador para finalizar la instalación.

Función de servicio para ventiladores

Si su ventilador necesita servicios de reparación/mantenimiento, es posible quitar el regulador interior del marco exterior sin perturbar el material del cielo raso circundante.

Quite la rejilla y desconecte todas sus conexiones eléctricas (si tiene luz).

Quite los tornillos de los soportes de yeso. Asegúrese de instalar de nuevo los soportes de yeso luego de dar servicio al ventilador.

Quite los cuatro (4) tornillos del regulador de radiación. Quite por completo el regulador de radiación para obtener acceso al soplador. Reinstale el regulador interior antes de activar el ventilador.

Garantía

Garantía limitada

Periodo y exclusiones de la garantía: Broan-NuTone LLC (la "Compañía") garantiza al consumidor comprador original de su producto ("usted") que el producto (el "Producto") estará libre de defectos en materiales o en mano de obra, por un periodo de un (1) año a partir de la fecha de compra original.

El periodo de garantía limitada para cualquier pieza de repuesto proporcionada por la compañía y para cualquier Producto reparado o reemplazado bajo esta garantía limitada debe ser lo que reste del periodo de garantía original.

Esta garantía no cubre controles de velocidad, arrancadores de lámparas fluorescentes, tubos, bombillas de halógeno e incandescentes, fusibles, filtros, conductos, tapas de techo, tapas de pared ni otros accesorios que pudieran ser comprados por separado e instalados con el producto. Esta garantía tampoco cubre (a) mantenimiento y servicio normal, (b) uso y desgaste normal, (c) Productos o piezas sujetos a mal uso, abuso, uso anormal, negligencia, accidente, mantenimiento inadecuado o insuficiente, almacenamiento o reparación (que no sea reparación por parte de la Compañía), (d) daños causados por instalación defectuosa, o bien instalación o uso contrario a las recomendaciones o instrucciones, (e) cualquier Producto que se haya movido de su punto de instalación original, (f) daños ocasionados por el medio ambiente o los elementos naturales, (g) daños en tránsito, (h) desgaste natural del acabado, (i) Productos en uso comercial o no residencial, o (j) daños ocasionados por incendio, inundación u otro caso fortuito. Esta garantía cubre solamente Productos vendidos a clientes originales en los Estados Unidos por la Compañía o a distribuidores de EE. UU. autorizados por la Compañía.

Esta garantía sustituye todas las garantías anteriores y no es transferible del comprador consumidor original.

No hay otras garantías: Esta garantía limitada contiene la única obligación de la Compañía y su único recurso ante productos defectuosos. Las garantías anteriores son exclusivas y en lugar de cualquier otra garantía, expresa o implícita. **LA COMPAÑÍA NIEGA Y EXCLUYE CUALQUIER OTRA GARANTÍA EXPRESA, Y NIEGA Y EXCLUYE TODAS LAS GARANTÍAS IMPLÍCITAS POR LEY, INCLUYENDO, ENTRE OTRAS, LAS DE COMERCIALIZACIÓN Y APTITUD PARA UN PROPÓSITO EN PARTICULAR.** Hasta el grado en que la ley aplicable prohíba la exclusión de las garantías implícitas, la duración de cualquier garantía implícita aplicable está limitada al periodo especificado para la garantía expresa antes mencionada. Algunos estados no permiten limitaciones en la duración de una garantía implícita, así que la limitación anterior tal vez no aplique en su caso. Cualquier descripción verbal o escrita del Producto es para el único propósito de identificarlo y no deberá considerarse como una garantía expresa.

Siempre que sea posible, toda disposición de esta garantía limitada deberá ser interpretada de tal forma que sea efectiva y válida de conformidad con la ley aplicable, pero si alguna disposición fuera considerada prohibida o inválida, quedará sin efecto solo en virtud de dicha prohibición o invalidez, sin invalidar el resto de dicha disposición o las demás disposiciones restantes de la garantía limitada.

Recurso: Durante el periodo de garantía limitada aplicable, la Compañía, a su opción, suministrará piezas de repuesto, o reparará o reemplazará, sin cargo alguno, cualquier Producto o pieza del mismo, hasta el grado en que la Compañía lo encuentre cubierto bajo esta garantía limitada y en incumplimiento de la misma en condiciones normales de uso y servicio. La Compañía le enviará el Producto reparado o reemplazado o las piezas de repuesto sin cargo. Usted es responsable de todos los costos de retiro, reinstalación y envío, seguro u otros cargos de flete incurridos en el envío del Producto o pieza a la Compañía. Si debe enviar el Producto o la pieza a la Compañía, tal como lo indique la Compañía, debe empaquetar adecuadamente el Producto o la pieza: la Compañía no se hace responsable por los daños en tránsito. La Compañía se reserva el derecho de utilizar Productos o piezas reacondicionados, renovados, reparados o refabricados en el proceso de reemplazo o reparación de garantía. Dichos Productos y piezas serán comparables en función y desempeño a un Producto o una pieza original y tendrán garantía durante el resto del periodo de la garantía original.

Exclusión de daños: **LA OBLIGACIÓN DE LA COMPAÑÍA DE SUMINISTRAR PIEZAS DE REPUESTO, O DE REPARAR O REEMPLAZAR, A OPCIÓN DE LA COMPAÑÍA, SERÁ SU ÚNICO Y EXCLUSIVO RECURSO BAJO ESTA GARANTÍA LIMITADA, Y LA ÚNICA Y EXCLUSIVA OBLIGACIÓN DE LA COMPAÑÍA. LA COMPAÑÍA NO SERÁ RESPONSABLE POR DAÑOS INCIDENTALES, INDIRECTOS, RESULTANTES O ESPECIALES QUE SURJAN POR EL USO O DESEMPEÑO DEL PRODUCTO, O EN RELACIÓN CON EL MISMO.**

Algunos estados no permiten la exclusión o limitación de daños incidentales o resultantes, por lo que la limitación antes mencionada podría no aplicarse a usted. Esta garantía le otorga derechos legales específicos, y usted podría tener otros derechos que varían de un estado a otro.

Esta garantía cubre únicamente el reemplazo o la reparación de Productos defectuosos o piezas de los mismos en la planta principal de la Compañía, y no incluye el costo del viaje para el servicio de campo ni los viáticos.

Cualquier asistencia que proporcione o procure la Compañía para usted fuera de los términos, limitaciones o exclusiones de esta garantía limitada no constituirá una renuncia a dichos términos, limitaciones o exclusiones, ni dicha asistencia extenderá o renovará la garantía.

La Compañía no le reembolsará ningún gasto en el que usted haya incurrido al reparar o reemplazar cualquier Producto defectuoso, excepto los incurridos con el permiso previo por escrito de la Compañía.

Cómo obtener el servicio cubierto por la garantía: Para tener derecho al servicio cubierto por la garantía, usted debe (a) notificar a la Compañía a la dirección o número de teléfono que aparecen abajo en un plazo de siete (7) días después de descubrir el defecto cubierto, (b) proporcionar el número de modelo y la identificación de la pieza y (c) describir la naturaleza de cualquier defecto en el Producto o la pieza. En el momento de solicitar el servicio cubierto por la garantía, debe presentar un comprobante de la fecha de compra original. Si usted no puede presentar una copia de la garantía limitada original por escrito, entonces regirán los términos de la garantía limitada por escrito más actualizada de la compañía para su producto en particular. Las garantías limitadas por escrito más actualizadas para los productos de la Compañía se pueden encontrar en www.broan.com.

Broan-NuTone LLC 926 West State Street, Hartford, WI 53027 www.broan.com 800-637-1453