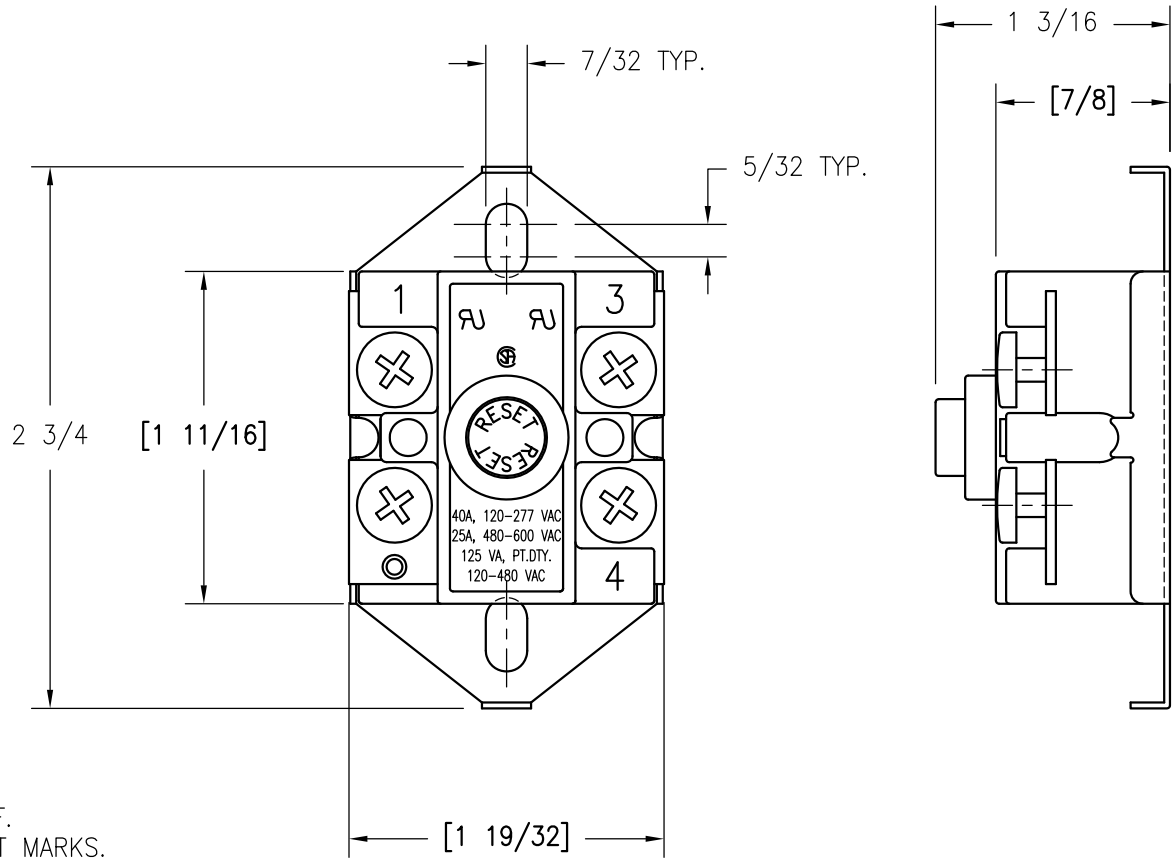


REV	REVISION DESCRIPTION
A	NEW DRAWING

CONFIDENTIAL



NOTES:

- I. IDENTIFICATION MARKING TO INCLUDE:
 - A. APCOM MODEL NUMBER WL6-L190°F.
 - B. UL & CSA RECOGNIZED COMPONENT MARKS.
 - C. 190°F (HIGH LIMIT SWITCH OPEN TEMPERATURE).
 - D. BRADFORD WHITE PART NO 219-47205-00A.
 - E. DATE CODE (YEAR WEEK).
- II. SPECIFICATIONS:
 - A. HIGH LIMIT (MANUAL RESET-TRIP FREE)
 1. DOUBLE POLE, SINGLE THROW.
 - [2. CALIBRATION: MANUAL RESET SAFETY LIMIT SWITCH SNAPS OPEN AT 190°F ± 5°F.]
 3. ELECTRICAL RATING:
 - a. 40 AMP NON-INDUCTIVE 277 VAC.
 - b. 25 AMP NON-INDUCTIVE 480 VAC.
 - c. 30 AMP INDUCTIVE 120 VAC.
- III. THE HIGH LIMIT (MANUAL RESET) SHALL COMPLY WITH THE REQUIREMENTS IN THE STANDARD FOR "LIMIT CONTROLS", UL353.

BLANK NO.	N/A	SUPPLIER	APCOM
THICKNESS	N/A	MATL	N/A
INSPECTION CRITERIA	ALL ITEMS IN BRACKETS []		



DRAWING UNITS AND TOLERANCE IN INCHES UNLESS OTHERWISE SPECIFIED	
FRACTIONAL	±1/16
DECIMAL 0.00	±.05
DECIMAL 0.000	±.010
ANGLES	±1'
DO NOT SCALE	

OWN BY	SJL	DATE	2/22/08
CHK BY	RMC	DATE	2/22/08
ECO BY	SJL	ECO NO.	7336
PAGE	1 OF 1	SCALE	NONE

NAME	SWITCH-HIGH LIMIT DPST (190°F) APCOM
DWG	219-47205-00A