

FEATURED MODEL

157-180-ST BLANCOQUADRIS™ Single Lever in Solid Stainless Steel

Please note: the Quadris stainless steel model features real stainless steel (AISI 304).

ADDITIONAL MODELS

157-180-CR Polished Chrome

FEATURES

- Solid brass body (chrome)
- Solid stainless steel (AISI 304)
- Ceramic disc cartridge
- Color coded hot & cold supply lines
- Maximum 2.2 G.P.M. flow rate
- Installation in a 1-3/8" hole

CODE/STANDARDS COMPLIANCE

ASME A112.18.1-2005

NSF 61 Certified in conformance to the Uniform Plumbing Code (UPC)

WARRANTY

Blanco America's Bar faucets feature a LIMITED LIFETIME WARRANTY to be free of all manufacturing defects under normal use. See our complete warranty for details.

While Blanco America endeavors to provide accurate information, all dimensions are nominal, cannot be guaranteed, and are subject to change or cancellation. Blanco America assumes no responsibility for use of superseded or voided specifications.

PRODUCT SPECIFICATION

Bar faucet to include lever handle with solid stainless steel body and ceramic disc cartridge. Faucet dimensions to be as follows: Reach: 7"; Spout Height: 6-1/4", and Faucet Height: 7-3/4". Hot and cold supply lines to be color coded. Bar faucet to be BLANCOQUADRIS™, Model 157-180-_____in_____finish.

Polished Chrome 157-180-CR

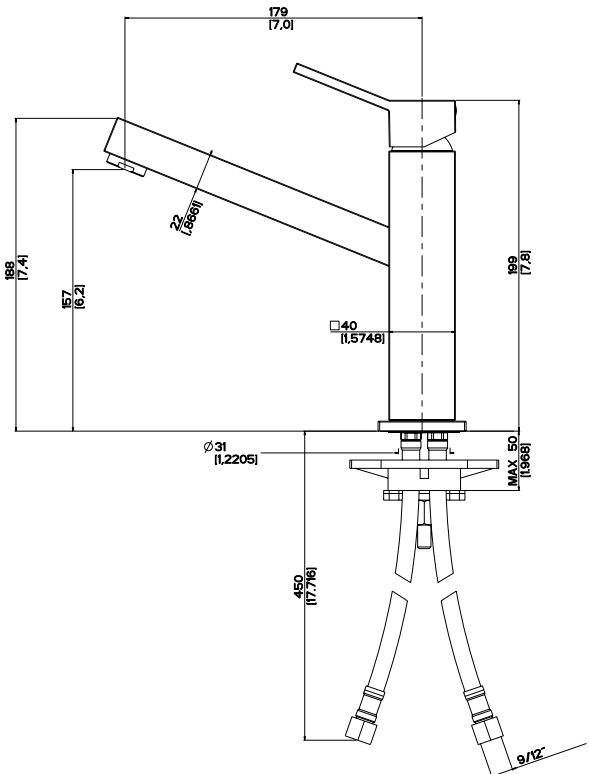
Solid Stainless Steel 157-180-ST



MODEL 157-180

NOMINAL DIMENSIONS

MODEL	REACH	SPOUT HEIGHT	FAUCET HEIGHT
157-180	7	6-1/4	7-3/4



See next page for exploded parts drawing and parts list.

JOB INFORMATION

Job Name: _____

Contact: _____

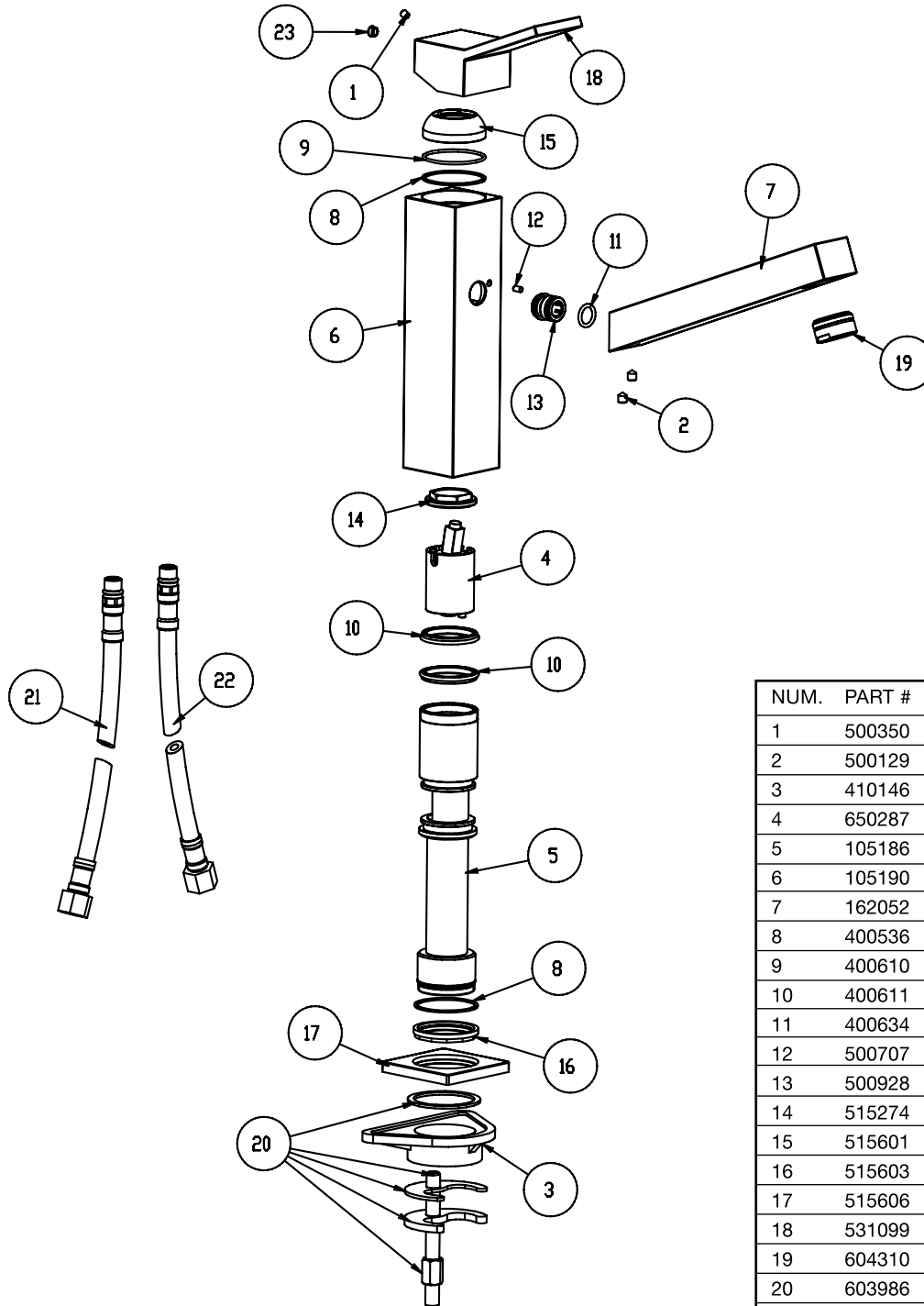
Date Specified: _____

Specifier: _____

Contractor: _____

BLANCOQUADRIS™ SINGLE LEVER

MODEL 157-180



NUM.	PART #	DESCRIPTION
1	500350	GRUB SCREW
2	500129	GRUB SCREW
3	410146	FIXING SPACER
4	650287	CARTRIDGE
5	105186	INNER QUADRIS SEAT
6	105190	CHR QUADRIS OUTER BODY
7	162052	CHR BAR FAUCET SPOUT
8	400536	HOSTAFORM RING
9	400610	O-RING
10	400611	LIBS O-RING
11	400634	O-RING
12	500707	PIN
13	500928	BRASS SPOUT UNION
14	515274	CARTRIDGE NUT
15	515601	CHROME CARTRIDGE COVER
16	515603	BASE RING
17	515606	SS FAUCET BASE
18	531099	CHROME QUADRIS LEVER
19	604310	MALE AERATOR
20	603986	FIXING KIT
21	670269	SS BRAIDED FLEX HOSE RED
22	670270	SS BRAIDED FLEX HOSE BLUE
23	410544	CHROME ABS COVER