

For Residential and Commercial Applications

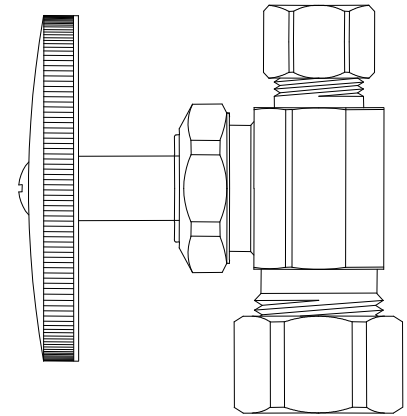
Job Name		Engineer / Architect	
Job Location		Wholesaler	
Submittal Date		Contractor	

OCR11/ OCR14/ OCR34/ OCR44 Multi-Turn Straight Stop – Compression x Compression

Use: For use in potable water distribution systems. Not intended for recirculating water systems that produce continuous use temperatures above 115° F. For those applications, use our KT™ series ball stops.

Design Features:

- **Machined one-piece brass body** provides strength, durability, and long-lasting performance
- **Knurled oval handle** provides a secure grip and smooth on/off operation
- **Easy-to-remove handle** with screw attachment helps protect against accidental stop operation during rough-ins
- **No Lead**
- **For use with** ASTM F876 PEX tubing, in ASTM F877 water distribution systems (parts containing PX and PXX only)
- **For use in** ASTM F877 water distribution systems as noted in Appendixes (parts containing PX and PXX only)



Operating Specifications:

Temperature: 40° - 140° F
Pressure: 125 PSI maximum



Standard

STOP MATERIAL SPECIFICATIONS	
Body	Brass or brass, chrome plated
Stem	POM; brass; or brass, chrome plated
Bib & Packing Washer	Rubber
Packing Nut	Brass or brass, chrome plated
Handle	Die cast zinc, plated; ABS, plated; or Polycarbonate
Handle Screw	Zinc-plated steel
Compression Nut	Brass or brass, chrome plated
Compression Sleeve	Brass
PEX Insert*	Stainless steel

No Lead

STOP MATERIAL SPECIFICATIONS	
Body	No-Lead brass or No-Lead brass, chrome plated
Stem	POM; No-Lead brass; or No-Lead brass, chrome plated
Bib & Packing Washer	Rubber
Packing Nut	Brass or brass, chrome plated
Handle	Die cast zinc, plated; ABS, plated; or Polycarbonate
Handle Screw	Zinc-plated steel
Compression Nut	Brass or brass, chrome plated
Compression Sleeve	Brass
PEX Insert*	Stainless steel

*Where specified

Standard Part Listing:

- OCR11 C 1/4" nom compression x 3/8" OD compression, chrome plated
- OCR11 CBT 1/4" nom compression x 3/8" OD compression, chrome plated, bulk, plain tray
- OCR11 C1 1/4" nom compression x 3/8" OD compression, chrome plated, window box

This specification and all information contained herein is the confidential and exclusive property of BrassCraft Manufacturing, and shall not be disclosed to others without the written consent of BrassCraft Mfg. This specification must be returned to BrassCraft Mfg. if requested.



OCR11/ OCR14/ OCR34/ OCR44 Multi-Turn Straight Stop – Compression x Compression

Standard Part Listing (con't):

- OCR11 R 1/4" nom compression x 3/8" OD compression, rough brass
- OCR11Z C 1/4" nom compression x 3/8" OD compression, brass stem, chrome plated
- OCR14 C 1/2" nom compression x 3/8" OD compression, chrome plated
- OCR14 CBT 1/2" nom compression x 3/8" OD compression, chrome plated, bulk, plain tray
- OCR14 C1 1/2" nom compression x 3/8" OD compression, chrome plated, window box
- OCR14 R 1/2" nom compression x 3/8" OD compression, rough brass
- OCR14 RBT 1/2" nom compression x 3/8" OD compression, rough brass, bulk, plain tray
- OCR14 R1 1/2" nom compression x 3/8" OD compression, rough brass, window box
- OCR14Z C 1/2" nom compression x 3/8" OD compression, brass stem, chrome plated
- OCR14Z R 1/2" nom compression x 3/8" OD compression, brass stem, rough brass
- OCR14 BZ 1/2" nom compression x 3/8" OD compression, oil rubbed bronze
- OCR14 NP 1/2" nom compression x 3/8" OD compression, polished nickel
- OCR14 NS 1/2" nom compression x 3/8" OD compression, satin nickel
- OCR14 P 1/2" nom compression x 3/8" OD compression, polished
- OCR14PX C 1/2" nom compression w/ PEX stainless steel insert x 3/8" OD compression, chrome plated
- OCR14PX C1 1/2" nom compression w/ PEX stainless steel insert x 3/8" OD compression, chrome plated, window box
- OCR14PX R 1/2" nom compression w/ PEX stainless steel insert x 3/8" OD compression, rough brass
- OCR14PX R1 1/2" nom compression w/ PEX stainless steel insert x 3/8" OD compression, rough brass, window box
- OCR34 C 1/2" nom compression x 1/2" OD compression, chrome plated
- OCR34 CBT 1/2" nom compression x 1/2" OD compression, chrome plated, bulk, plain tray
- OCR34 C1 1/2" nom compression x 1/2" OD compression, chrome plated, window box
- OCR34 R 1/2" nom compression x 1/2" OD compression, rough brass
- OCR34Z C 1/2" nom compression x 1/2" OD compression, brass stem, chrome plated
- OCR34 BZ 1/2" nom compression x 1/2" OD compression, oil rubbed bronze
- OCR34 NS 1/2" nom compression x 1/2" OD compression, satin nickel
- OCR34 P 1/2" nom compression x 1/2" OD compression, polished
- OCR3A C 3/8" nom compression x 1/2" OD compression, chrome plated
- OCR3A R 3/8" nom compression x 1/2" OD compression, rough brass
- OCR3AZ C 3/8" nom compression x 1/2" OD compression, chrome plated
- OCR44PX C 1/2" nom compression w/ PEX stainless steel insert x 1/2" nom compression, chrome plated
- OCR44PX R 1/2" nom compression w/ PEX stainless steel insert x 1/2" nom compression, rough brass

No-Lead Part Listing:

- OCR11X C 1/4" nom compression x 3/8" OD compression, chrome plated
- OCR11X CBT 1/4" nom compression x 3/8" OD compression, chrome plated, bulk, plain tray
- OCR11X C1 1/4" nom compression x 3/8" OD compression, chrome plated, window box
- OCR11X R 1/4" nom compression x 3/8" OD compression, rough brass

This specification and all information contained herein is the confidential and exclusive property of BrassCraft Manufacturing, and shall not be disclosed to others without the written consent of BrassCraft Mfg. This specification must be returned to BrassCraft Mfg. if requested.

BrassCraft[®]

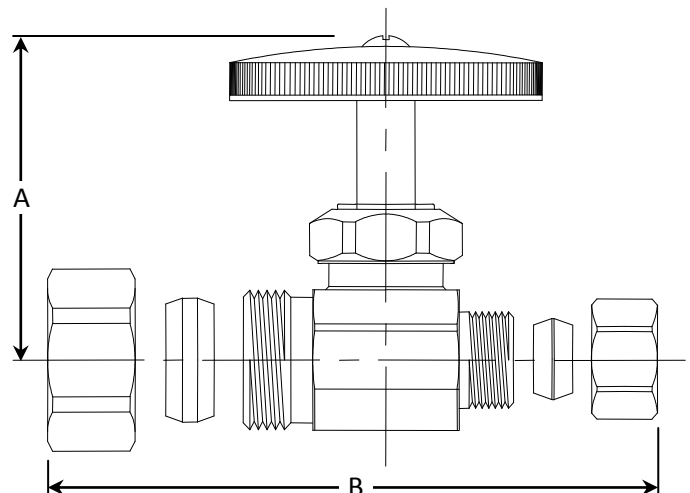
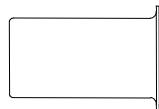
OCR11/ OCR14/ OCR34/ OCR44 Multi-Turn Straight Stop – Compression x Compression

No-Lead Part Listing (con't):

- OCR11ZX C 1/4" nom compression x 3/8" OD compression, brass stem, chrome plated
- OCR14X C 1/2" nom compression x 3/8" OD compression, chrome plated
- OCR14X CBT 1/2" nom compression x 3/8" OD compression, chrome plated, bulk, plain tray
- OCR14X C1 1/2" nom compression x 3/8" OD compression, chrome plated, window box
- OCR14X R 1/2" nom compression x 3/8" OD compression, rough brass
- OCR14X RBT 1/2" nom compression x 3/8" OD compression, rough brass, bulk, plain tray
- OCR14X R1 1/2" nom compression x 3/8" OD compression, rough brass, window box
- OCR14ZX C 1/2" nom compression x 3/8" OD compression, brass stem, chrome plated
- OCR14X BZ 1/2" nom compression x 3/8" OD compression, brass stem, oil rubbed bronze
- OCR14X NP 1/2" nom compression x 3/8" OD compression, polished nickel
- OCR14X NS 1/2" nom compression x 3/8" OD compression, satin nickel
- OCR14X P 1/2" nom compression x 3/8" OD compression, polished
- OCR14PXX C 1/2" nom compression w/ PEX stainless steel insert x 3/8" OD compression, chrome plated
- OCR34X C 1/2" nom compression x 1/2" OD compression, chrome plated
- OCR34X CBT 1/2" nom compression x 1/2" OD compression, chrome plated, bulk, plain tray
- OCR34X C1 1/2" nom compression x 1/2" OD compression, chrome plated, window box
- OCR34X R 1/2" nom compression x 1/2" OD compression, rough brass
- OCR3AX C 3/8" nom compression x 1/2" OD compression, chrome plated
- OCR3AX R 3/8" nom compression x 1/2" OD compression, rough brass
- OCR44PXX C 1/2" nom compression w/ PEX stainless steel insert x 1/2" nom compression, chrome plated
- OCR44PXX R 1/2" nom compression w/ PEX stainless steel insert x 1/2" nom compression, rough brass

PART DIMENSIONS (Inches)		
Model	DIM. A	DIM. B
OCR11	1.80	2.12
OCR14 (OCR14PX)	1.80	2.25
OCR14Z	1.80	2.25
OCR34	1.80	2.30
OCR44	1.80	2.62

OCR14PX & OCR14PXX
OCR44PX & OCR44PXX
PEX tube Insert



Listings & Certifications:

- IAPMO listed to ASME A112.18.1 / CSA B125.1 (File # 0645)
- CSA listed to ASME A112.18.1 / CSA B125.1 (File # 204593)
- No-Lead product CSA listed to Low Lead Content Certification Program – Plumbing Products Class 6853-01



This specification and all information contained herein is the confidential and exclusive property of BrassCraft Manufacturing, and shall not be disclosed to others without the written consent of BrassCraft Mfg. This specification must be returned to BrassCraft Mfg. if requested.

BrassCraft®