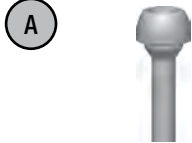

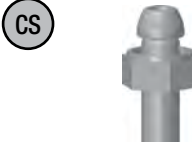
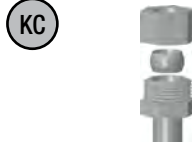


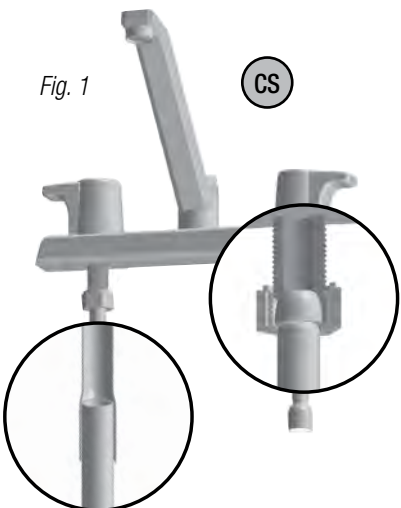




Supply Risers: Faucet

 <p>A</p> <p>Formed Metal Nosepiece w/Insert Suffix "A" Example: 1-12A C</p>	 <p>C</p> <p>Rubber Washer w/Brass Friction Ring Suffix "C" Example: F1-11C C</p>	 <p>CS</p> <p>Reinforced, Formed Nosepiece, One-Piece Construction Suffix "CS" Example: CS600 R See Fig. 1</p>	 <p>KC</p> <p>Compression Nut and Sleeve Suffix "KC" Example: 1-12KC C See Fig. 2</p>
 <p>K</p> <p>1/2" MIP Tapped 1/4" FIP Suffix "K" Example: 1-12K C</p>	 <p>KA</p> <p>Sweat Suffix "KA" Example: 1-12KA C See Fig. 3</p>	<ul style="list-style-type: none"> • Pre-assembled with brass coupling nut for metal-to-metal seat • Eliminates faucet tailpieces and IP x sweat adaptors • Direct connection from faucet to service line • Deep well, 1/2" Nom copper solder cup • For in-line shut-off, use with compression valve 	
 <p>Fig. 1</p>	 <p>Fig. 2</p>	 <p>Fig. 3</p>	

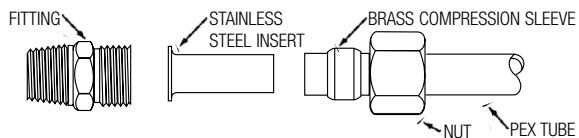
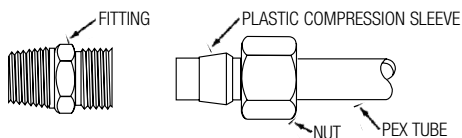
Supply Risers: Toilet

 <p>DL</p> <p>Formed Nosepiece w/Insert Gasket Suffix "DL" Example: 1-12DL C</p>	 <p>DE</p> <p>Heavy Nosepiece w/Rubber Washer Suffix "DE" Example: 1-12DE C</p>	 <p>E</p> <p>Rubber Washer w/Brass Friction Ring Suffix "E" Example: F1-11E C</p>
---	--	--

PEX Tube Compression Connection

For PEX Tube 3/8" OD and smaller, use plastic compression sleeve.

For PEX Tube larger than 3/8" OD, use brass compression sleeve with stainless steel tube insert.



NOTE: All 3/8" OD PEX Risers come with plastic compression sleeve.
All 1/2" OD PEX Risers come with stainless steel tube insert.

Boxed Risers † Denotes riser is available boxed. Contact your local rep.

PART NO.	UPC	DESCRIPTION	LENGTH	QTY	LBS
----------	-----	-------------	--------	-----	-----

Faucet - Sweat



1-12KA C †	026613042510	3/8" OD	12"	50	5.2
1-12KA R †	026613042534	3/8" OD	12"	50	5.2
1-15KA R	026613042770	3/8" OD	15"	50	7.1
1-20KA C	026613043197	3/8" OD	20"	50	9.4
1-20KA R †	026613043203	3/8" OD	20"	50	9.4

Faucet - Sweat 1-Piece With Shank Nut



CS600 R †	026613002675	1/2" OD	12"	50	8.7
-----------	--------------	---------	-----	----	-----

Faucet - PEX



P1-12A	026613044859	3/8" OD	12"	100	4.4
P1-15A	026613044897	3/8" OD	15"	100	5.0
P1-20A	026613044910	3/8" OD	20"	100	5.0
P1-30A	026613044958	3/8" OD	30"	50	4.2
P1-36A	026613044965	3/8" OD	36"	50	5.1

Toilet - PEX



P1-12DL	026613044873	3/8" OD	12"	100	3.6
P1-15DL	026613044903	3/8" OD	15"	100	5.0
P1-20DL	026613044934	3/8" OD	20"	100	5.6

Toilet - With Gasket Nosepiece



1-12DL C	026613002613	3/8" OD	12"	100	11.3
1-15DL C	026613042756	3/8" OD	15"	100	14.8
1-20DL C	026613043135	3/8" OD	20"	50	9.9
1-30DL C	026613043371	3/8" OD	30"	50	13.8
3-12DL C	026613043821	1/2" OD	12"	50	7.3
3-20DL C	026613044088	1/2" OD	20"	50	14.5

Toilet - With Heavy Duty Rubber Nosepiece



1-12DE C	026613042398	3/8" OD	12"	50	5.9
1-20DE C	026613043081	3/8" OD	20"	50	10.1
3-12DE C	026613043791	1/2" OD	12"	50	7.4

Toilet - Flared With Rubber Washer & Brass Ring



F1-11E C	026613044521	3/8" OD	11"	100	11.7
----------	--------------	---------	-----	-----	------

† Denotes faucet risers are available boxed, 1 pair.

NOTE: Actual riser length to connect less 1/2"