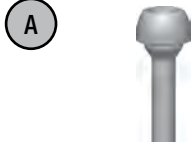

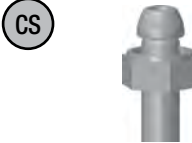
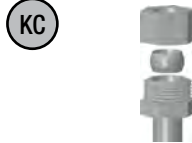


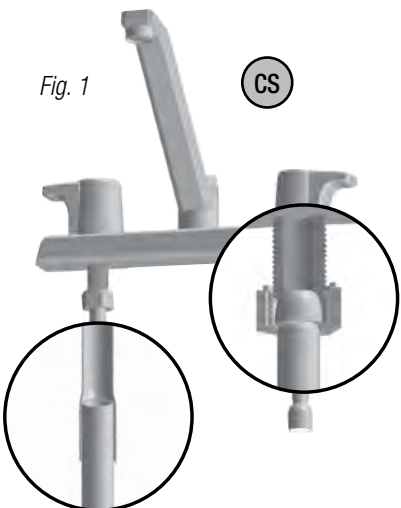




## Supply Risers: Faucet

 <p><b>A</b></p> <p><b>Formed Metal Nosepiece w/Insert</b> Suffix "A" Example: 1-12A C</p>	 <p><b>C</b></p> <p><b>Rubber Washer w/Brass Friction Ring</b> Suffix "C" Example: F1-11C C</p>	 <p><b>CS</b></p> <p><b>Reinforced, Formed Nosepiece, One-Piece Construction</b> Suffix "CS" Example: CS600 R See Fig. 1</p>	 <p><b>KC</b></p> <p><b>Compression Nut and Sleeve</b> Suffix "KC" Example: 1-12KC C See Fig. 2</p>
 <p><b>K</b></p> <p><b>1/2" MIP Tapped 1/4" FIP</b> Suffix "K" Example: 1-12K C</p>	 <p><b>KA</b></p> <p><b>Sweat</b> Suffix "KA" Example: 1-12KA C See Fig. 3</p>	<ul style="list-style-type: none"> <li>• Pre-assembled with brass coupling nut for metal-to-metal seat</li> <li>• Eliminates faucet tailpieces and IP x sweat adaptors</li> <li>• Direct connection from faucet to service line</li> <li>• Deep well, 1/2" Nom copper solder cup</li> <li>• For in-line shut-off, use with compression valve</li> </ul>	
 <p>Fig. 1</p>	 <p>Fig. 2</p>	 <p>Fig. 3</p>	

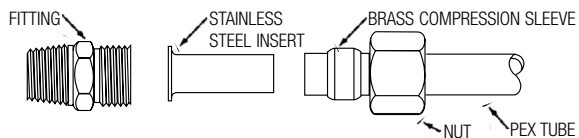
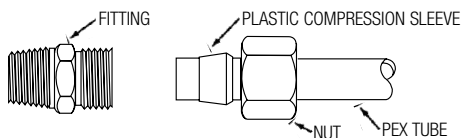
## Supply Risers: Toilet

 <p><b>DL</b></p> <p><b>Formed Nosepiece w/Insert Gasket</b> Suffix "DL" Example: 1-12DL C</p>	 <p><b>DE</b></p> <p><b>Heavy Nosepiece w/Rubber Washer</b> Suffix "DE" Example: 1-12DE C</p>	 <p><b>E</b></p> <p><b>Rubber Washer w/Brass Friction Ring</b> Suffix "E" Example: F1-11E C</p>
---	--	--

## PEX Tube Compression Connection

For PEX Tube 3/8" OD and smaller, use plastic compression sleeve.

For PEX Tube larger than 3/8" OD, use brass compression sleeve with stainless steel tube insert.



**NOTE:** All 3/8" OD PEX Risers come with plastic compression sleeve.  
All 1/2" OD PEX Risers come with stainless steel tube insert.

*Boxed Risers* † Denotes riser is available boxed. Contact your local rep.

PART NO.	UPC	DESCRIPTION	LENGTH	QTY	LBS
<b>Faucet - 1-Piece With Insert</b>					
1-12A C †	026613002576	3/8" OD	12"	100	11.2
1-12A R †	026613042343	3/8" OD	12"	100	11.2
1-15A C †	026613042688	3/8" OD	15"	100	14.1
1-20A C †	026613042992	3/8" OD	20"	100	18.9
1-20A R †	026613043036	3/8" OD	20"	100	18.9
1-30A C †	026613043302	3/8" OD	30"	50	14.5
1-30A R †	026613043340	3/8" OD	30"	50	14.5
1-36A C †	026613043425	3/8" OD	36"	50	17.3
1-36A R †	026613043456	3/8" OD	36"	50	17.3
3-12A C †	026613043715	1/2" OD	12"	50	8.2
3-12A R †	026613043753	1/2" OD	12"	50	8.2
3-15A C	026613043951	1/2" OD	15"	50	10.3
3-20A C †	026613044026	1/2" OD	20"	50	13.6
3-20A R †	026613044057	1/2" OD	20"	50	13.6
3-30A C †	026613044163	1/2" OD	30"	25	10.8
3-30A R †	026613044187	1/2" OD	30"	25	10.8
3-36A C †	026613044217	1/2" OD	36"	25	13.0



<b>Faucet - Flared With Rubber Washer &amp; Brass Ring</b>					
F1-11C C	026613044491	3/8" OD	11"	100	10.7
F1-17C C	026613044620	3/8" OD	17"	100	16.1
F1-20C C	026613044675	3/8" OD	20"	100	19.6
F1-20C R	026613044682	3/8" OD	20"	100	19.6



<b>Faucet - Compression With KC Nosepiece</b>					
1-12KC C †	026613003795	3/8" OD	12"	50	7.1
1-12KC R †	026613042572	3/8" OD	12"	50	7.1
1-15KC C	026613042787	3/8" OD	15"	50	8.9
1-15KC R	026613042794	3/8" OD	15"	50	8.9
1-20KC C †	026613003801	3/8" OD	20"	50	11.2
1-20KC R †	026613043241	3/8" OD	20"	50	11.2
1-30KC C	026613043395	3/8" OD	30"	50	16.0
3-12KC C †	026613043906	1/2" OD	12"	50	10.1



<b>Faucet - 1/2" MIP With 1/4" FIP Tapped</b>					
1-12K C	026613042596	3/8" OD	12"	50	9.3
1-20K C	026613043265	3/8" OD	20"	50	13.1



† Denotes faucet risers are available boxed, 1 pair.  
NOTE: Actual riser length to connect less 1/2"