

For Residential and Commercial Applications

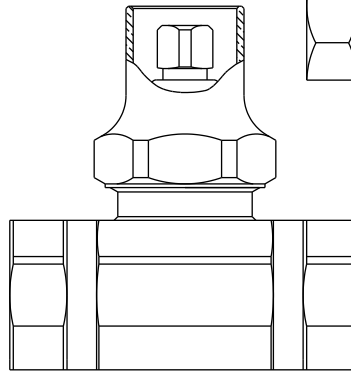
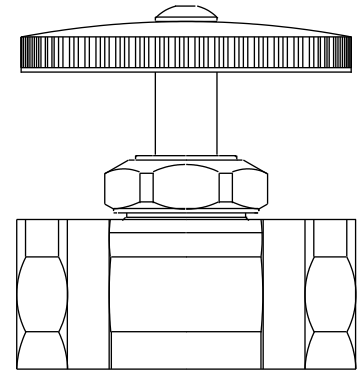
Job Name		Engineer / Architect	
Job Location		Wholesaler	
Submittal Date		Contractor	

OR82 / OR90 Multi-Turn Straight Stop – Female Iron Pipe x Female Iron Pipe (Optional Loose Key, Screwdriver Slot, or Cross Handle)

Use: For use with water in accessible locations only. Not intended for recirculating water systems that produce continuous use temperatures above 115° F. For those applications, use our KT™ series ball stop.

Design Features:

- **Machined one-piece brass body** provides strength, durability, and long-lasting performance
- **Oval knurled handle** provides a secure grip and smooth on/off operation
- **Easy-to-remove handle** with screw attachment helps protect against accidental stop operation during rough-ins
- **100% Compliant product** available



Operating Specifications:

Temperature: 40° - 140° F
Pressure: 125 PSI maximum

STOP MATERIAL SPECIFICATIONS	
Body	Brass or brass, chrome plated
Stem	POM; brass; or brass, chrome plated *
Bib & Packing Washers	Rubber
Packing Nut	Brass or brass, chrome plated
Handle	Zinc, die cast plated; ABS, plated; or Polycarbonate
Handle Screw	Steel, zinc plated
Loose Key	Zinc, die cast
Lock Shield	Brass, chrome plated
Loose Key Stem	Brass or brass, chrome plated

STOP MATERIAL SPECIFICATIONS	
Body	Compliant brass or Compliant brass, chrome plated
Stem	POM; Compliant brass; or Compliant brass, chrome plated *
Bib & Packing Washers	Rubber
Packing Nut	Brass or brass, chrome plated
Handle	Zinc, die cast plated; ABS, plated; or Polycarbonate
Handle Screw	Steel, zinc plated
Loose Key	Zinc, die cast
Lock Shield	Brass, chrome plated
Loose Key Stem	Compliant brass or Compliant brass, chrome plated

*Where specified

This specification and all information contained herein is the confidential and exclusive property of BrassCraft Manufacturing, and shall not be disclosed to others without the written consent of BrassCraft Mfg. This specification must be returned to BrassCraft Mfg if requested.



OR82 / OR90 Multi-Turn Straight Stop – Female Iron Pipe x Female Iron Pipe (Optional Loose Key, Screwdriver Slot, or Cross Handle)

Standard Part Listing:

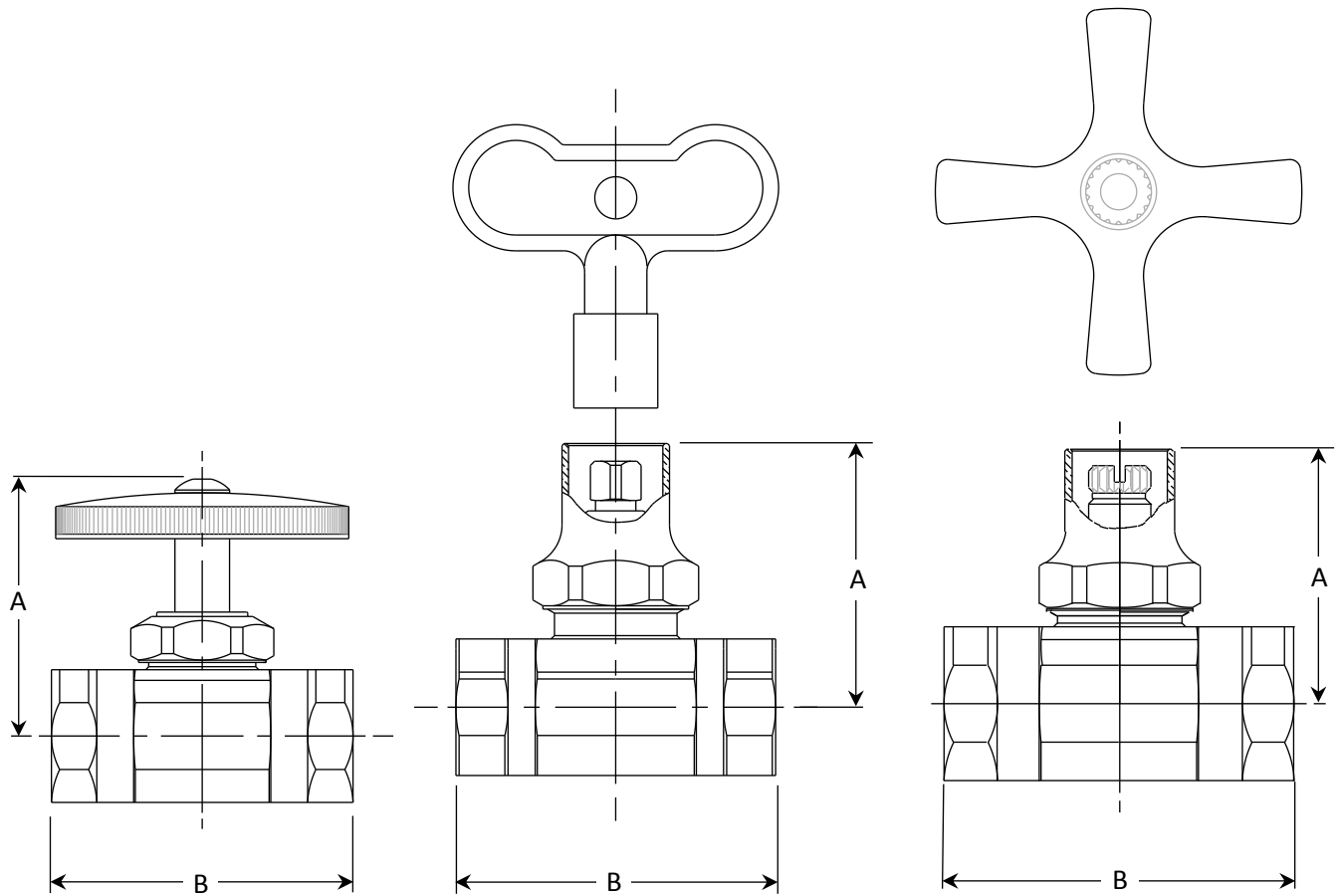
- OR82 C 1/2" FIP x 1/2" FIP, chrome plated
- OR82 C1 1/2" FIP x 1/2" FIP, chrome plated, window tray
- OR82Z C 1/2" FIP x 1/2" FIP, brass stem, chrome plated
- OR82 R 1/2" FIP x 1/2" FIP, rough brass
- SR82 C 1/2" FIP x 1/2" FIP, loose key, chrome plated
- SR82 R 1/2" FIP x 1/2" FIP, loose key, rough brass
- OR90 C 3/8" FIP x 3/8" FIP, chrome plated
- OR90Z C 3/8" FIP x 3/8" FIP, brass stem, chrome plated
- OR90 R 3/8" FIP x 3/8" FIP, rough brass

Compliant Part Listing:

- OR82X C 1/2" FIP x 1/2" FIP, chrome plated
- OR82X C1 1/2" FIP x 1/2" FIP, chrome plated, window tray
- OR90X C 3/8" FIP x 3/8" FIP, chrome plated
- OR90X R 3/8" FIP x 3/8" FIP, rough brass
- SR82X C 1/2" FIP x 1/2" FIP, loose key, chrome plated
- SSR82X R 1/2" FIP x 1/2" FIP, screwdriver slot, rough brass
- XR82X C 1/2" FIP x 1/2" FIP, cross handle, chrome plated
- SR90X C 3/8" FIP x 3/8" FIP, loose key, chrome plated
- SSR90X C 3/8" FIP x 3/8" FIP, screwdriver slot, chrome plated
- STR90X C 3/8" FIP x 3/8" FIP, stuffing box, loose key, chrome plated
- TR90X C 3/8" FIP x 3/8" FIP, stuffing box, chrome plated

OR82 / OR90 Multi-Turn Straight Stop – Female Iron Pipe x Female Iron Pipe (Optional Loose Key, Screwdriver Slot, or Cross Handle)

PART DIMENSIONS (Inches)		
Model	DIM. A	DIM. B
OR90/ OR90Z	1.83	1.90
OR82 / OR82Z	1.94	2.06
SR82	1.53	2.06



Listings & Certifications:

- IAPMO listed to ASME A112.18.1 / CSA B125.1 (File # 0645)
- CSA listed to ASME A112.18.1 / CSA B125.1 (File # 204593)
- Compliant product CSA listed to Low Lead Content Certification Program – Plumbing Products Class 6853-01



This specification and all information contained herein is the confidential and exclusive property of BrassCraft Manufacturing, and shall not be disclosed to others without the written consent of BrassCraft Mfg. This specification must be returned to BrassCraft Mfg if requested.

