

For Residential and Commercial Applications

Job Name		Engineer / Architect	
Job Location		Wholesaler	
Submittal Date		Contractor	

OR10 / OR12 / OR30 / OR32 Multi-Turn Straight Stop – Female Iron Pipe x Compression

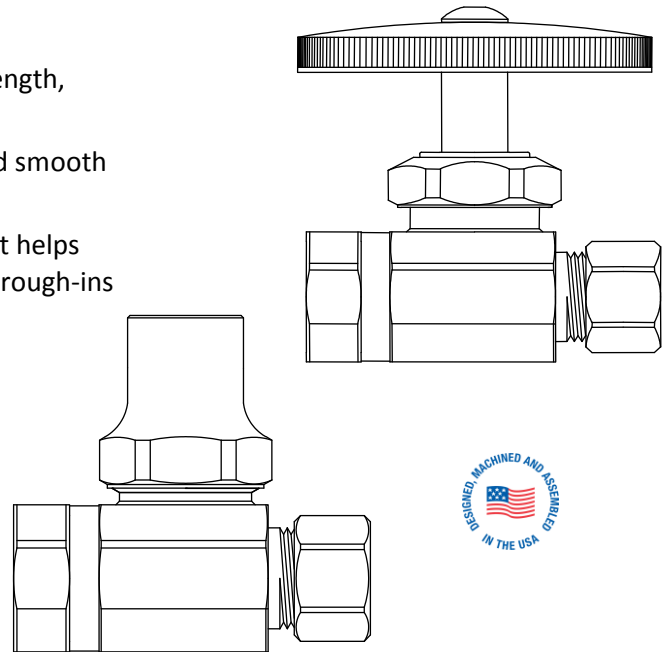
Use: For use with water in accessible locations only. Not intended for recirculating water systems that produce continuous use temperatures above 115° F. For those applications, use our KT™ series ball stop.

Design Features:

- **Machined one-piece brass body** provides strength, durability, and long-lasting performance
- **Oval knurled handle** provides a secure grip and smooth on/off operation
- **Easy-to-remove handle** with screw attachment helps protect against accidental stop operation during rough-ins
- **100% Compliant product** available

Operating Specifications:

Temperature: 40° - 140° F
Pressure: 125 PSI maximum



Standard

STOP MATERIAL SPECIFICATIONS	
Body	Brass or brass, chrome plated
Stem	POM or Brass*
Bib & Packing Washers	Rubber
Packing Nut	Brass or brass, chrome plated
Handle	Zinc, die cast plated; ABS, plated; or Polycarbonate
Handle Screw	Steel, zinc plated
Compression Sleeve	Brass
Compression Nut	Brass or brass, chrome plated

*Where specified

Compliant

STOP MATERIAL SPECIFICATIONS	
Body	Compliant brass, or Compliant brass, chrome plated
Stem	POM or Compliant brass*
Bib & Packing Washers	Rubber
Packing Nut	Brass or brass, chrome plated
Handle	Zinc, die cast plated; ABS, plated; or Polycarbonate
Handle Screw	Steel, zinc plated
Compression Sleeve	Brass
Compression Nut	Brass or brass, chrome plated

This specification and all information contained herein is the confidential and exclusive property of BrassCraft Manufacturing, and shall not be disclosed to others without the written consent of BrassCraft Mfg. This specification must be returned to BrassCraft Mfg if requested.



OR10 / OR12 / OR30 / OR32 Multi-Turn Straight Stop – Female Iron Pipe x Compression

Standard Part Listing:

<input type="checkbox"/>	OR10 C	3/8" FIP x 3/8" OD compression, chrome plated
<input type="checkbox"/>	OR10 CBT	3/8" FIP x 3/8" OD compression, chrome plated, bulk, plain tray
<input type="checkbox"/>	OR10 C1	3/8" FIP x 3/8" OD compression, chrome plated, window tray
<input type="checkbox"/>	OR10 C5T	3/8" FIP x 3/8" OD compression, chrome plated, bulk, plain tray, sleeve of 5
<input type="checkbox"/>	OR10Z C	3/8" FIP x 3/8" OD compression, brass stem, chrome plated
<input type="checkbox"/>	OR10 R	3/8" FIP x 3/8" OD compression, rough brass
<input type="checkbox"/>	OR10 R1	3/8" FIP x 3/8" OD compression, rough brass, window box
<input type="checkbox"/>	OR10 BZ	3/8" FIP x 3/8" OD compression, oil rubbed bronze
<input type="checkbox"/>	OR10 NS	3/8" FIP x 3/8" OD compression, satin nickel
<input type="checkbox"/>	OR30 C	3/8" FIP x 1/2" OD compression, chrome plated
<input type="checkbox"/>	OR30 RBT	3/8" FIP x 1/2" OD compression, rough brass, bulk, plain tray
<input type="checkbox"/>	OR12 C	1/2" FIP x 3/8" OD compression, chrome plated
<input type="checkbox"/>	OR12 CBT	1/2" FIP x 3/8" OD compression, chrome plated, bulk, plain tray
<input type="checkbox"/>	OR12 C1	1/2" FIP x 3/8" OD compression, chrome plated, window box
<input type="checkbox"/>	OR12 C5T	1/2" FIP x 3/8" OD compression, chrome plated, sleeve of 5, plain tray
<input type="checkbox"/>	OR12Z C	1/2" FIP x 3/8" OD compression, brass stem, chrome plated
<input type="checkbox"/>	OR12 R	1/2" FIP x 3/8" OD compression, rough brass
<input type="checkbox"/>	OR12 R1	1/2" FIP x 3/8" OD compression, rough brass, window box
<input type="checkbox"/>	OR12 BZ	1/2" FIP x 3/8" OD compression, oil rubbed bronze
<input type="checkbox"/>	OR12 NS	1/2" FIP x 3/8" OD compression, satin nickel
<input type="checkbox"/>	OR12 P	1/2" FIP x 3/8" OD compression, polished brass
<input type="checkbox"/>	OR32 C	1/2" FIP x 1/2" OD compression, chrome plated
<input type="checkbox"/>	OR32 C1	1/2" FIP x 1/2" OD compression, chrome plated, window box
<input type="checkbox"/>	OR32Z C	1/2" FIP x 1/2" OD compression, brass stem, chrome plated

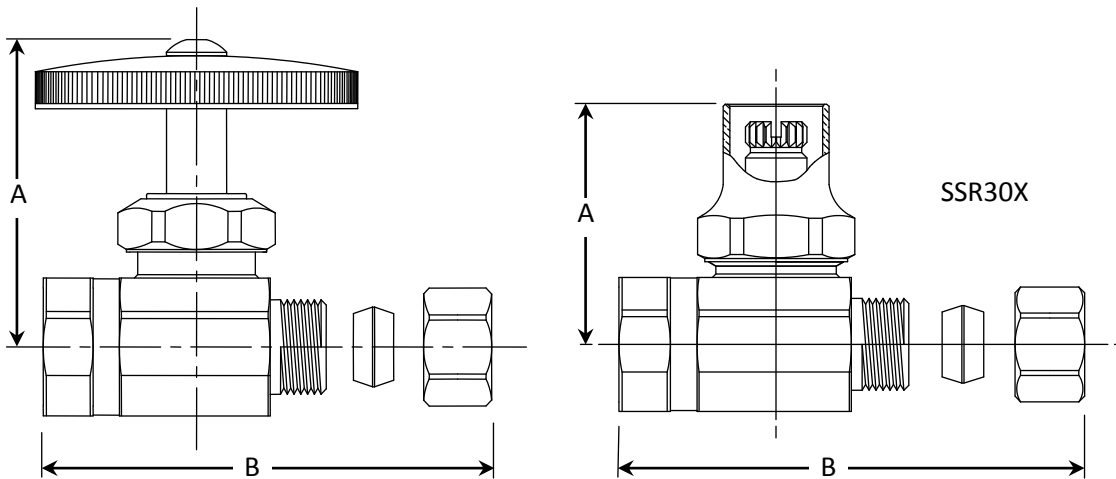
Compliant Part Listing:

<input type="checkbox"/>	OR10X C1	3/8" FIP x 3/8" OD compression, chrome plated, window box
<input type="checkbox"/>	OR12X C	1/2" FIP x 3/8" OD compression, chrome plated
<input type="checkbox"/>	OR12X C1	1/2" FIP x 3/8" OD compression, chrome plated, window box
<input type="checkbox"/>	OR30X C	3/8" FIP x 1/2" OD compression, chrome plated
<input type="checkbox"/>	OR30X RBT	3/8" FIP x 1/2" OD compression, rough brass, bulk, plain tray
<input type="checkbox"/>	SSR30X C	3/8" FIP x 1/2" OD compression, screwdriver slot, chrome plated
<input type="checkbox"/>	OR32X C	1/2" FIP x 1/2" OD compression, chrome plated
<input type="checkbox"/>	OR32X C1	1/2" FIP x 1/2" OD compression, chrome plated, window box

This specification and all information contained herein is the confidential and exclusive property of BrassCraft Manufacturing, and shall not be disclosed to others without the written consent of BrassCraft Mfg. This specification must be returned to BrassCraft Mfg if requested.

OR10 / OR12 / OR30 / OR32 Multi-Turn Straight Stop – Female Iron Pipe x Compression

PART DIMENSIONS (Inches)		
Model	DIM. A	DIM. B
OR10	1.94	2.02
OR10Z	1.94	2.02
OR30	1.94	2.02
SSR30X	1.45	2.02
OR12	1.63	2.07
OR12Z	1.63	2.07
OR32	1.70	2.22
OR32Z	1.70	2.22



Listings & Certifications:

- IAPMO listed to ASME A112.18.1 / CSA B125.1 (File # 0645)
- CSA listed to ASME A112.18.1 / CSA B125.1 (File # 204593)
- Compliant product CSA listed to Low Lead Content Certification Program – Plumbing Products Class 6853-01



This specification and all information contained herein is the confidential and exclusive property of BrassCraft Manufacturing, and shall not be disclosed to others without the written consent of BrassCraft Mfg. This specification must be returned to BrassCraft Mfg if requested.

BrassCraft®