

## For Residential and Commercial Applications

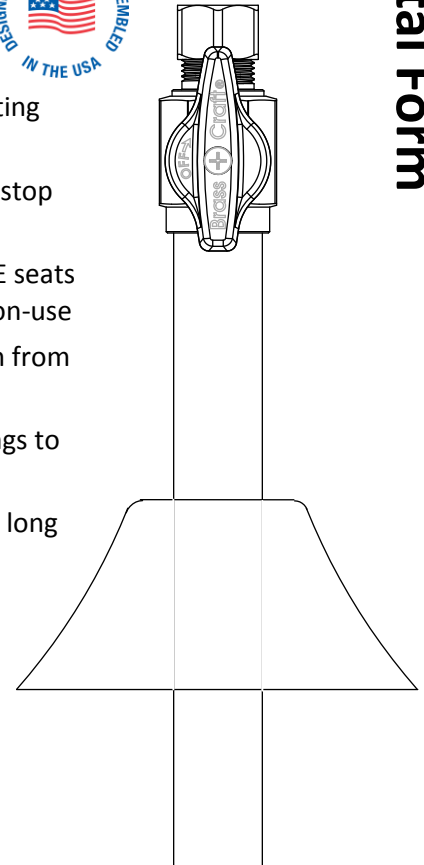
Job Name		Engineer / Architect	
Job Location		Wholesaler	
Submittal Date		Contractor	

# KTCS41 1/4 Turn Straight Ball Stop - Sweat x Compression With 5" Sweat Extension

**Use:** For use with water in accessible locations only

**Design Features:**

- **Machined one-piece brass body** provides strength, durability and long-lasting performance
- **Easy-to-remove handle** with screw attachment protects against accidental stop operation during rough-ins
- **Precision-machined brass ball** is specially engineered and mated with PTFE seats to provide smooth operation without freeze ups even after long periods of non-use
- **Two high-performance o-rings** withstand high temperatures and corrosion from harsh water environments
- **Blow-out proof brass stem** is assembled from the inside out with two o-rings to ensure safe, reliable performance
- **Plated stem** provides corrosion resistance and prevents o-ring damage after long periods of non-use
- **Metal handle** is designed for durability, corrosion resistance, and a sleek appearance
- **100% Leak tested**
- **No Lead**



**Operating Specifications:**

**Temperature:** 40° - 180° F  
**Pressure:** 125 PSI maximum

**Standard**

STOP MATERIAL SPECIFICATIONS	
<b>Body</b>	Brass or brass, plated
<b>Stem</b>	Brass, chrome plated
<b>Handle</b>	Zinc die cast, plated
<b>Handle Screw</b>	Steel, zinc plated
<b>O-ring</b>	Rubber
<b>Ball</b>	Brass, chrome plated
<b>Seat</b>	PTFE
<b>Compression Sleeve</b>	Brass
<b>Compression Nut</b>	Brass or brass, plated
<b>Extension Tube</b>	Copper, plated
<b>Bell Escutcheon</b>	Steel, plated

**Compliant**

STOP MATERIAL SPECIFICATIONS	
<b>Body</b>	Compliant brass or compliant brass, plated
<b>Stem</b>	Compliant brass, chrome plated
<b>Handle</b>	Zinc die cast, plated
<b>Handle Screw</b>	Steel, zinc plated
<b>O-ring</b>	Rubber
<b>Ball</b>	Compliant brass, chrome plated
<b>Seat</b>	PTFE
<b>Compression Sleeve</b>	Brass
<b>Compression Nut</b>	Brass or brass, plated
<b>Extension Tube</b>	Copper, plated
<b>Bell Escutcheon</b>	Steel, plated

*This specification and all information contained herein is the confidential and exclusive property of BrassCraft Manufacturing, and shall not be disclosed to others without the written consent of BrassCraft Mfg. This specification must be returned to BrassCraft Mfg if requested.*



# KTCS41 1/4 Turn Straight Ball Stop - Sweat x Compression With 5" Sweat Extension

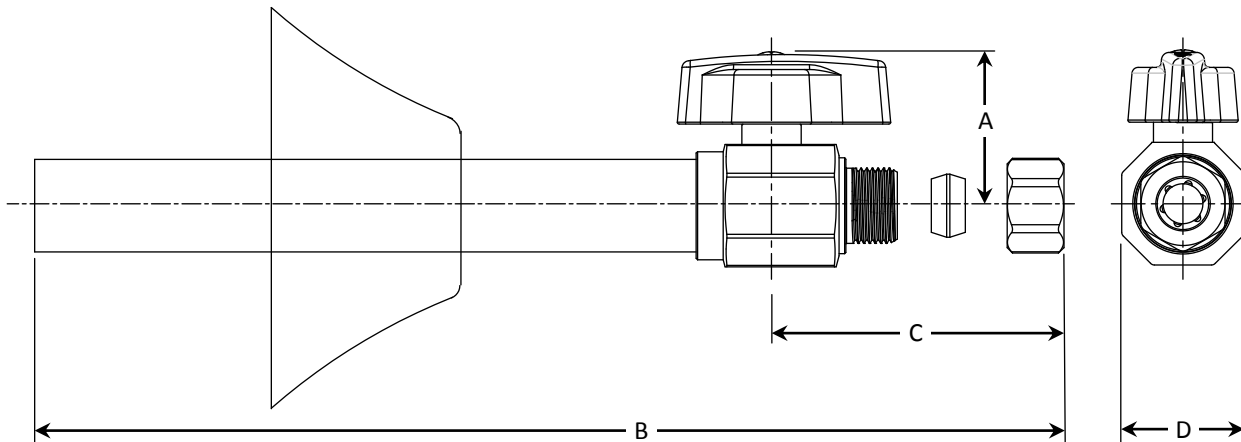
**Standard Part Listing:**

- KTCS41 C 1/2" nom sweat x 3/8" OD compression, chrome plated
- KTCS41B C 1/2" nom sweat x 3/8" OD compression, chrome plated
- KTCS41B BRL 1/2" nom sweat x 3/8" OD compression, polished brass PVD
- KTCS41B BZ 1/2" nom sweat x 3/8" OD compression, oil rubbed bronze
- KTCS41B NS 1/2" nom sweat x 3/8" OD compression, satin nickel

**Compliant Part Listing:**

- KTCS41X C 1/2" nom sweat x 3/8" OD compression, chrome plated
- KTCS41BX C 1/2" nom sweat x 3/8" OD compression, chrome plated

<b>PART DIMENSIONS (Inches)</b>				
<b>Model</b>	<b>DIM A</b>	<b>DIM B</b>	<b>DIM C</b>	<b>DIM D</b>
KTCS41	1.14	6.66	1.20	.91



**Listings & Certifications:**

- IAPMO listed to ASME A112.18.1 / CSA B125.1 (File # 0645)
- CSA listed to ASME A112.18.1 / CSA B125.1 (File # 204593)
- Compliant product CSA listed to Low Lead Content Certification Program – Plumbing Products Class 6853-01



*This specification and all information contained herein is the confidential and exclusive property of BrassCraft Manufacturing, and shall not be disclosed to others without the written consent of BrassCraft Mfg. This specification must be returned to BrassCraft Mfg if requested.*

**BrassCraft®**