


**For Residential and Commercial Applications**

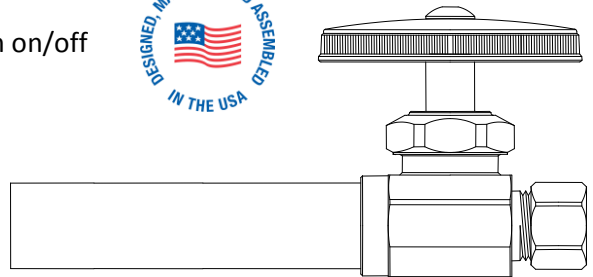
Job Name		Engineer / Architect	
Job Location		Wholesaler	
Submittal Date		Contractor	

## CS41/ CS41B/ CS47 Multi-Turn Sweat Straight Stop w/ 5" Extension (Optional Loose Key)

**Use:** For use with water in accessible locations only. Not intended for recirculating water systems that produce continuous use temperatures above 115° F. For those applications, use our KT™ series ball stops.

**Design Features:**

- **Machined one-piece brass body** provides strength, durability, and long-lasting performance
- **Easy-to-remove handle** with screw attachment helps protect against accidental stop operation during rough-ins
- **Oval knurled handle** provides a secure grip and smooth on/off operation
-  **No Lead**



**Operating Specifications:**

**Temperature:** 40° - 140° F  
**Pressure:** 125 PSI maximum

**Standard**

STOP MATERIAL SPECIFICATIONS	
<b>Body</b>	Brass or brass, plated
<b>Stem</b>	Brass; or brass, chrome plated
<b>Handle</b>	Zinc die cast, plated
<b>Handle Screw</b>	Steel, zinc plated
<b>Bib &amp; Packing Washer</b>	Rubber
<b>Packing Nut</b>	Brass or brass, plated
<b>Compression Sleeve</b>	Brass
<b>Compression Nut</b>	Brass or brass, plated

<b>Escutcheon</b>	Steel, plated
<b>Loose Key Adaptor</b>	Brass or brass, plated
<b>Loose Key</b>	Zinc die cast
<b>Lock Shield</b>	Brass or brass, plated

**Compliant**

STOP MATERIAL SPECIFICATIONS	
<b>Body</b>	Compliant brass or compliant brass, plated
<b>Stem</b>	Compliant brass, or Compliant brass, chrome plated
<b>Handle</b>	Zinc die cast, plated
<b>Handle Screw</b>	Steel, zinc plated
<b>Bib &amp; Packing Washer</b>	Rubber
<b>Packing Nut</b>	Brass or brass, plated
<b>Compression Sleeve</b>	Brass
<b>Compression Nut</b>	Brass or brass, plated

<b>Escutcheon</b>	Steel, plated
<b>Loose Key Adaptor</b>	Compliant brass or Compliant brass, plated
<b>Loose Key</b>	Zinc, die cast
<b>Lock Shield</b>	Brass or brass, plated

**Standard Part Listing:**

- CS41 C 1/2" nom sweat x 3/8" OD compression stop, chrome plated
- CS41B C 1/2" nom sweat x 3/8" OD compression stop, bell escutcheon, chrome plated

*This specification and all information contained herein is the confidential and exclusive property of BrassCraft Manufacturing, and shall not be disclosed to others without the written consent of BrassCraft Mfg. This specification must be returned to BrassCraft Mfg if requested.*



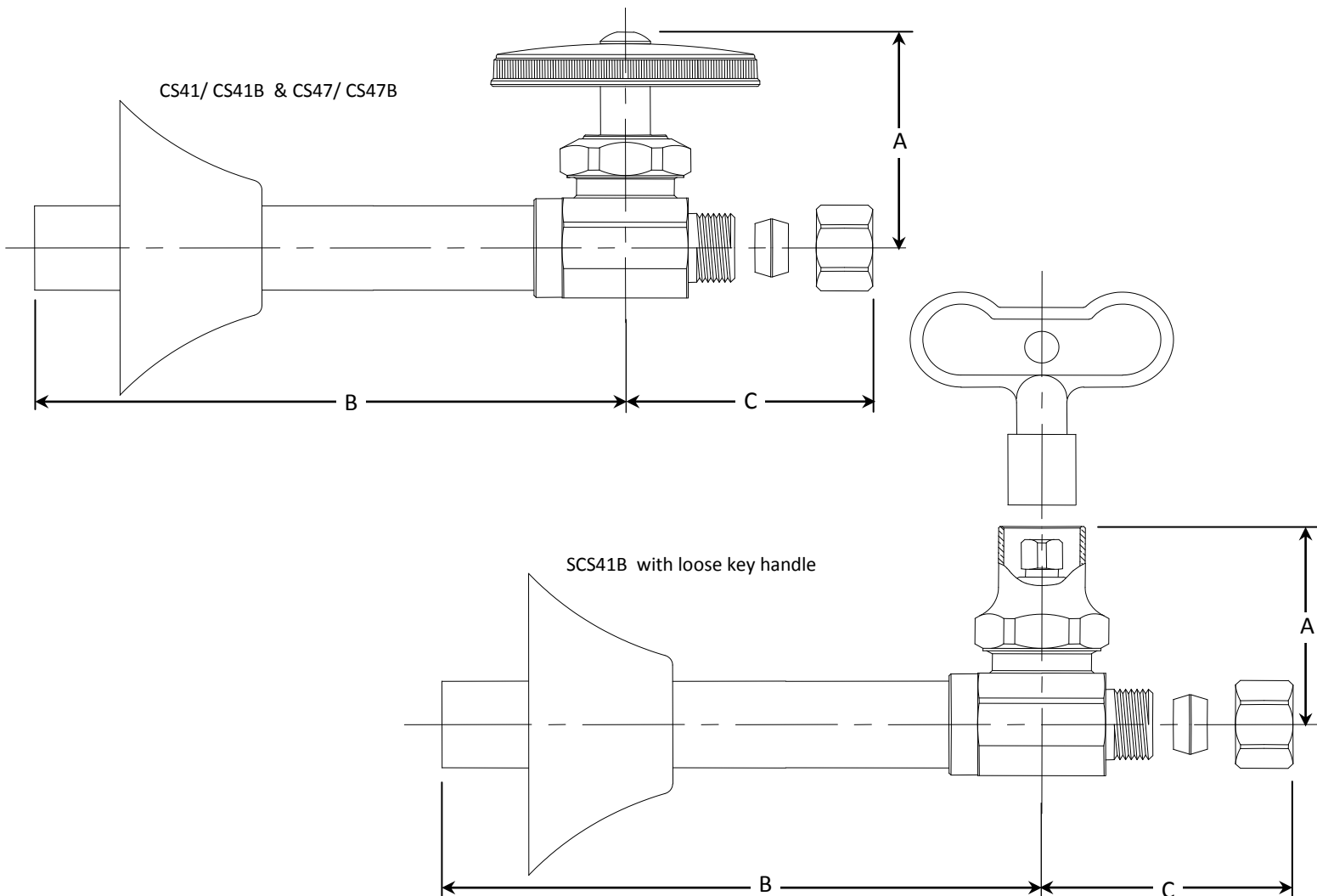
# CS41/ CS41B/ CS47 Multi-Turn Sweat Straight Stop w/ 5" Extension (Optional Loose Key)

## Standard Part Listing (con't):

- CS41B CD 1/2" nom sweat x 3/8" OD compression stop, bell escutcheon, chrome plated, carded
- CS41B C1 1/2" nom sweat x 3/8" OD compression stop, bell escutcheon, chrome plated, window tray
- CS41B BRL 1/2" nom sweat x 3/8" OD compression stop, bell escutcheon, polished brass PVD
- CS41B BZ 1/2" nom sweat x 3/8" OD compression stop, bell escutcheon, oil rubbed bronze
- CS41B NP 1/2" nom sweat x 3/8" OD compression stop, bell escutcheon, polished nickel
- CS41B NS 1/2" nom sweat x 3/8" OD compression stop, bell escutcheon, satin nickel
- CS47 C 1/2" nom sweat x 1/2" OD compression stop, chrome plated
- CS47B C 1/2" nom sweat x 1/2" OD compression stop, bell escutcheon, chrome plated
- SCS41B C 1/2" nom sweat x 3/8" OD compression stop, bell escutcheon, with loose key, chrome plated

## Compliant Part Listing:

- CS41BX C 1/2" nom sweat x 3/8" OD compression stop, bell escutcheon, chrome plated
- CS41BX C1 1/2" nom sweat x 3/8" OD compression stop, bell escutcheon, chrome plated, window tray
- CS47X C 1/2" nom sweat x 1/2" OD compression stop, chrome plated
- CS47BX C 1/2" nom sweat x 1/2" OD compression stop, bell escutcheon, chrome plated
- SCS41BX C 1/2" nom sweat x 3/8" OD compression stop, bell escutcheon, with loose key, chrome plated



*This specification and all information contained herein is the confidential and exclusive property of BrassCraft Manufacturing, and shall not be disclosed to others without the written consent of BrassCraft Mfg. This specification must be returned to BrassCraft Mfg if requested.*

**BrassCraft**<sup>®</sup>

# CS41/ CS41B/ CS47/ SCS41B    Multi-Turn Sweat Straight Stop w/ 5" Extension (Optional Loose Key)

<b>PART DIMENSIONS (Inches)</b>			
<b>Model</b>	<b>DIM A</b>	<b>DIM B</b>	<b>DIM C</b>
CS41	1.75	5.50	1.09
CS41B	1.75	5.50	1.09
CS47	1.75	5.50	1.12

<b>PART DIMENSIONS (Inches)</b>			
<b>Model</b>	<b>DIM A</b>	<b>DIM B</b>	<b>DIM C</b>
CS47B	1.75	5.50	1.12
SCS41B	1.57	5.50	1.09

**Listings & Certifications:**

- IAPMO listed to ASME A112.18.1 / CSA B125.1 (File # 0645)
- CSA listed to ASME A112.18.1 / CSA B125.1 (File # 204593)
- Compliant product CSA listed to Low Lead Content Certification Program – Plumbing Products Class 6853-01



*This specification and all information contained herein is the confidential and exclusive property of BrassCraft Manufacturing, and shall not be disclosed to others without the written consent of BrassCraft Mfg. This specification must be returned to BrassCraft Mfg if requested.*

