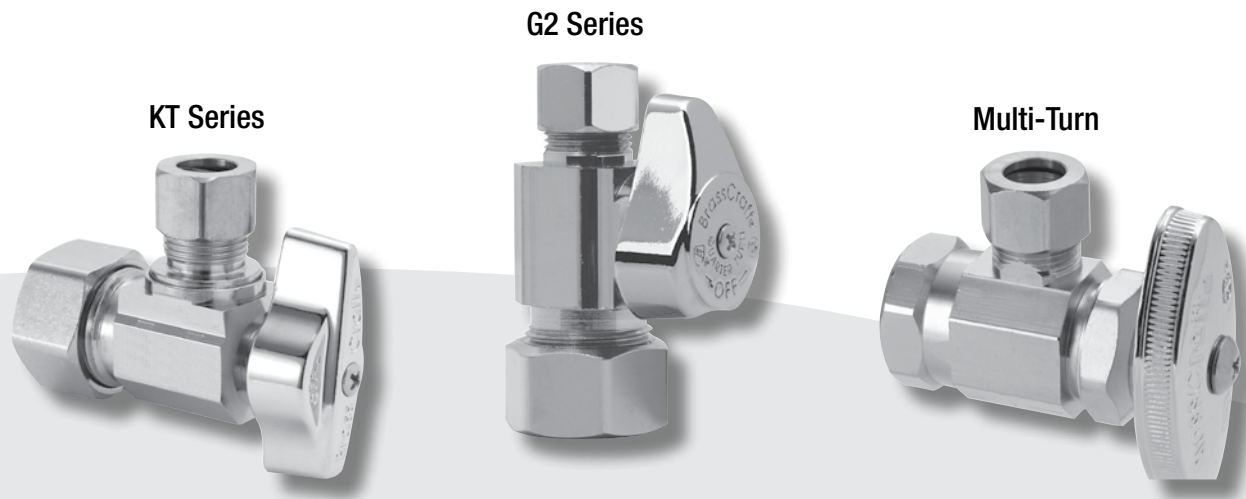


BrassCraft Stops

Made in the USA, BrassCraft stops, machined from solid brass, offer the highest quality and most reliable connection. The finished stops are offered for a variety of connections including Compression, Sweat, PEX, CPVC and PushConnect. Options include metal stems, lock shields, dual outlets, dual shut-offs, stuffing boxes and handles.

BrassCraft stops are designed for longevity, consistently exceed industry standards, are competitively priced and delivered with exceptional service. As the leading manufacturer of water stops for over 65 years, BrassCraft has the stop to meet your needs.



KT Series 1/4 Turn Ball Stops

KT Series 1/4 turn ball stops offer superior performance and quality advantages you expect from BrassCraft. Available in angle and straight bodies for compression, copper sweat, iron pipe, CPVC and PEX inlet connections.

- 1/4 Turn On-Off for easy, smooth operation
- High performance PTFE seats provide corrosion resistance, watertight seal and ease of use
- Precision-machined brass ball resists corrosion; ensures ease of operation
- Chrome plated brass body and zinc die cast handle for strength, corrosion resistance and fine appearance
- Blow-out-proof plated stem with double o-rings for safe, reliable operation
- 100% leak tested to ensure reliability
- IAPMO and CSA Approved

G2 Series 1/4 Turn Stops

BrassCraft's G2 1/4 turn stops combine 1/4-turn technology, durable construction and proven performance at an affordable price. Available in straight and angle styles with a full range of inlet options.

- Patented, one-piece mechanism provides years of smooth, 1/4-turn operation
- Made from machined brass rod for strength, durability, and lasting appearance
- 100% leak tested to ensure reliable, leak-free operation.
- IAPMO and CSA Approved

Multi-Turn Stops

BrassCraft multi-turn stops have set the bar for quality, reliability and proven performance for over 65 years. These stops provide the widest choice of configurations.

- One-piece brass body
- Water flow controlled by stem; removable handles
- Washers keep water flowing while preventing contaminants from entering water flow
- Repairable in the field
- IAPMO and CSA Approved



Part Numbering System

KT 1/4 Turn Ball Stops

Example:



K T	C R	1	9	F	C	1
Stop Style	Stop Type	Outlet	Inlet	Option	Finish	Packaging
1/4 Turn Ball Stop	Compression Inlet	3/8" OD (1/4" Nom)	1/2" Nominal Copper, Angle	Female Compression	Chrome	Individually Boxed



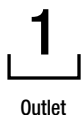
Stop Style

KT	1/4 Turn Ball Stop
KTS	1/4 Turn Ball Stop w/Loose Key



Stop Type

CR	Compression Inlet	BRPX	Barbed PEX Inlet
PR	CPVC Inlet	CS	Sweat Extension Inlet
R	Iron Pipe or Sweat Inlet	33	Slip-Joint Outlet



Outlet

0	1/4" OD	3	1/2" OD (3/8" Nom)
1	3/8" OD (1/4" Nom)	4	5/8" OD (1/2" Nom)



Inlet

0	3/8" Female Iron Pipe, Straight
1	3/8" OD Compression (1/4" Nom)
2	1/2" Female Iron Pipe, Straight
4	1/2" Nominal Copper, Straight
5	3/8" Female Iron Pipe, Angle
7	1/2" Female Iron Pipe, Angle
9	1/2" Nominal Copper, Angle

For Slip-Joint Outlets:

01	1/2" FIP Inlet, Angle
05	1/2" FIP Inlet, Straight
41	1/2" Nom Comp Inlet, Angle
45	1/2" Nom Comp Inlet, Straight

For Sweat Extension Inlets:

40	1/2" Nom Sweat x 3/8" OD Comp, Angle
41	1/2" Nom Sweat x 3/8" OD Comp, Straight



Option

F	Female Compression
---	--------------------

For Sweat Extension Inlets:

B	With Escutcheon
---	-----------------



Finish

C	Chrome Plated
R	Rough/Unplated

For Sweat Extension Inlets:

C	Chrome Plated, Boxed
R	Rough/Unplated, Boxed



Packaging

1	Individually Boxed (These stops are highlighted in bold print in this catalog).
---	--



PART NO.	UPC	INLET X OUTLET	FINISH	QTY.	LBS.
Sweat x Compression Stops – Angle					
KTR09 C	026613107172	1/2" Nom Sweat x 1/4" OD Comp	Chrome	60	16
KTR19 C	026613107202	1/2" Nom Sweat x 3/8" OD Comp	Chrome	60	15
KTR19 C1	026613107479	1/2" Nom Sweat x 3/8" OD Comp	Chrome	32	8



Sweat x Compression Stops – Angle w/5" Sweat Extension

KTCS40 C	026613107554	1/2" Nom Sweat x 3/8" OD Comp	Chrome	30	11
----------	--------------	-------------------------------	--------	----	----

For KTCS Stops Packed with 650 C Bell Escutcheon, Add Suffix "B" (Ex. KTCS40B C).



Sweat x Compression Stops – Straight

KTR14 C	026613107127	1/2" Nom Sweat x 3/8" OD Comp	Chrome	60	18
KTR14 C1	026613107486	1/2" Nom Sweat x 3/8" OD Comp	Chrome	24	6



Barbed Inlet Stop For Pex Piping – Angle

KTRBPX19 C	026613107363	1/2" Nom Crimp Barb x 3/8" OD Comp	Chrome	60	11
------------	--------------	------------------------------------	--------	----	----



Barbed Inlet Stops For Pex Piping – Straight

KTRBPX14 C	026613107370	1/2" Nom Crimp Barb x 3/8" OD Comp	Chrome	60	14
KTRBPX44 C	026613107387	1/2" Nom Crimp Barb x 1/2" Nom Barb	Chrome	60	12
KTRBPX44 R	026613107585	1/2" Nom Crimp Barb x 1/2" Nom Barb	Rough	60	12



Δ CPVC Solvent Weld Inlet Stops – Angle

KTPR19 C	026613107165	1/2" Nom CPVC x 3/8" OD Comp	Chrome	60	16
KTPR19 C1	026613107493	1/2" Nom CPVC x 3/8" OD Comp	Chrome	24	8



Δ CPVC Solvent Weld Inlet Stops – Straight

KTPR14 C	026613107158	1/2" Nom CPVC x 3/8" OD Comp	Chrome	60	18
KTPR14 C1	026613107509	1/2" Nom CPVC x 3/8" OD Comp	Chrome	24	7

Δ CPVC pre-torqued fittings eliminate the need for tightening on the job
See **page 66** for replacement handle and handle screw for 1/4 Turn On-Off Water Ball Stops.
See **page 98 & 99** for material specifications.