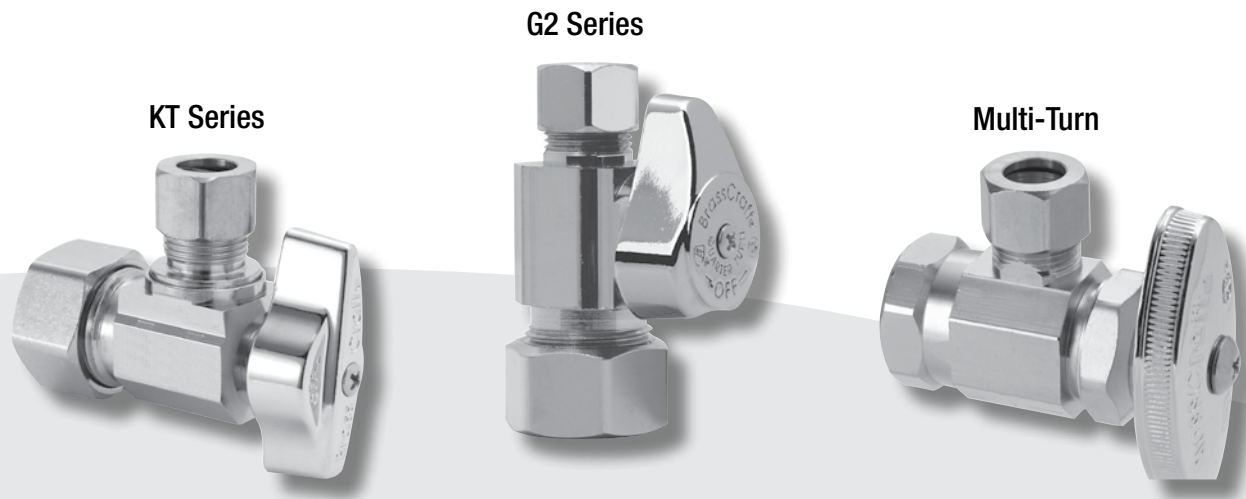


## BrassCraft Stops

Made in the USA, BrassCraft stops, machined from solid brass, offer the highest quality and most reliable connection. The finished stops are offered for a variety of connections including Compression, Sweat, PEX, CPVC and PushConnect. Options include metal stems, lock shields, dual outlets, dual shut-offs, stuffing boxes and handles.

BrassCraft stops are designed for longevity, consistently exceed industry standards, are competitively priced and delivered with exceptional service. As the leading manufacturer of water stops for over 65 years, BrassCraft has the stop to meet your needs.



### KT Series 1/4 Turn Ball Stops

KT Series 1/4 turn ball stops offer superior performance and quality advantages you expect from BrassCraft. Available in angle and straight bodies for compression, copper sweat, iron pipe, CPVC and PEX inlet connections.

- 1/4 Turn On-Off for easy, smooth operation
- High performance PTFE seats provide corrosion resistance, watertight seal and ease of use
- Precision-machined brass ball resists corrosion; ensures ease of operation
- Chrome plated brass body and zinc die cast handle for strength, corrosion resistance and fine appearance
- Blow-out-proof plated stem with double o-rings for safe, reliable operation
- 100% leak tested to ensure reliability
- IAPMO and CSA Approved

### G2 Series 1/4 Turn Stops

BrassCraft's G2 1/4 turn stops combine 1/4-turn technology, durable construction and proven performance at an affordable price. Available in straight and angle styles with a full range of inlet options.

- Patented, one-piece mechanism provides years of smooth, 1/4-turn operation
- Made from machined brass rod for strength, durability, and lasting appearance
- 100% leak tested to ensure reliable, leak-free operation.
- IAPMO and CSA Approved

### Multi-Turn Stops

BrassCraft multi-turn stops have set the bar for quality, reliability and proven performance for over 65 years. These stops provide the widest choice of configurations.

- One-piece brass body
- Water flow controlled by stem; removable handles
- Washers keep water flowing while preventing contaminants from entering water flow
- Repairable in the field
- IAPMO and CSA Approved



## Part Numbering System

Multi-Turn, Tee-Handle Stops

Example:



<b>0</b>	<b>R</b>	<b>1</b>	<b>9</b>	<b>P</b>	<b>X</b>	<b>C</b>	<b>1</b>
<b>Stop Type</b>	<b>Outlet Size</b>	<b>Inlet</b>	<b>Options</b>	<b>Finish</b>	<b>Packaging</b>		
Iron Pipe Inlet	3/8" OD (1/4" Nom)	1/2" Nominal Copper, Angle	Compression PEX Inlet	Chrome	Individually Boxed		



### Handle\*

\*Drop the '0' in Stop Type, when using modifier

<b>S</b>	Loose Key, Lock Shield	<b>X</b>	Cross
<b>SS</b>	Screw Driver Slot, Lock Shield	<b>XX</b>	Round



### Stem\*

\*Drop the '0' in Stop Type, when using modifier

<b>T</b>	Stuffing Box
----------	--------------



### Stop Type

<b>OCR</b>	Compression Inlet	<b>OR</b>	Iron Pipe Inlet	<b>BRPX</b>	Barbed PEX Inlet
<b>OFCR</b>	Flare Outlet, Compression Inlet	<b>OFR</b>	Flare Outlet, Iron Pipe Inlet	<b>CS</b>	Sweat Extension Inlet
<b>FR</b>	Flare Outlet, Sweat Inlet	<b>R</b>	Sweat Inlet	<b>033</b>	Slip-Joint Outlet
<b>PR</b>	CPVC Inlet	<b>RD</b>	Sweat Outlet x Sweat Inlet		

#### For Integral Shut-Offs:

<b>R</b>	Iron Pipe or Sweat Inlet
<b>DRS</b>	Screwdriver Slot, Less Lock Shield, Iron Pipe or Sweat Inlet



### Outlet Size (same as riser diameter)

<b>0</b>	1/4" OD	<b>4</b>	5/8" OD (1/2" Nom)
<b>1</b>	3/8" OD (1/4" Nom)	<b>8</b>	1/2" Iron Pipe
<b>2</b>	7/16" OD	<b>9</b>	3/8" Iron Pipe
<b>3</b>	1/2" OD (3/8" Nom)		



### Inlet Size & Style

<b>0</b>	3/8" Female Iron Pipe, Straight	<b>7</b>	1/2" Female Iron Pipe, Angle
<b>1</b>	3/8" OD Compression (1/4" Nom)	<b>9</b>	1/2" Nominal Copper, Angle
<b>2</b>	1/2" Female Iron Pipe, Straight	<b>A</b>	3/8" Nominal Copper, Straight
<b>4</b>	1/2" Nominal Copper, Straight	<b>B</b>	3/8" Nominal Copper, Angle
<b>5</b>	3/8" Female Iron Pipe, Angle		

#### For Slip-Joint Outlets:

<b>01</b>	1/2" FIP Inlet, Angle
<b>05</b>	1/2" FIP Inlet, Straight
<b>41</b>	1/2" Nom Comp Inlet, Angle
<b>45</b>	1/2" Nom Comp Inlet, Straight

#### For Integral Shut-Offs:

<b>83</b>	1/2" FIP x 1/2" MIP, Straight
<b>84</b>	1/2" Nom Sweat x 1/2" MIP, Straight
<b>44</b>	1/2" Nom Sweat x 1/2" Nom Sweat, Straight

#### For Sweat Extension Inlets:

<b>40</b>	1/2" Nom Sweat x 3/8" OD Comp, Angle
<b>41</b>	1/2" Nom Sweat x 3/8" OD Comp, Straight
<b>47</b>	1/2" Nom Sweat x 1/2" OD Comp, Straight



### Options

<b>PX</b>	Compression PEX Inlet
-----------	-----------------------

#### For Sweat Extension Inlets:

<b>B</b>	w/Escutcheon
----------	--------------

#### For Integral Shut-Offs:

<b>AA</b>	w/Check Inlet
<b>M</b>	w/Male Sweat Outlet



### Finish

<b>C</b>	Chrome Plated, Trayed
<b>R</b>	Rough/Unplated, Trayed

#### For Sweat Extension Inlets:

<b>C</b>	Chrome Plated, Boxed
<b>R</b>	Rough/Unplated, Boxed



### Packaging

<b>1</b>	Individually Boxed (These stops are highlighted in <b>bold print</b> in this catalog).
----------	--

PART NO.	UPC	INLET X OUTLET	FINISH	QTY.	LBS.
<b>Sweat x Compression Stops – Straight</b>					
R04 C	026613964492	1/2" Nom Sweat x 1/4" OD Comp	Chrome	60	18
R04 R	026613028453	1/2" Nom Sweat x 1/4" OD Comp	Rough	60	18
<b>R04 R1</b>	<b>026613099804</b>	<b>1/2" Nom Sweat x 1/4" OD Comp</b>	<b>Rough</b>	<b>24</b>	<b>8</b>
R14 C	026613012346	1/2" Nom Sweat x 3/8" OD Comp	Chrome	60	18
<b>R14 C1</b>	<b>026613096131</b>	<b>1/2" Nom Sweat x 3/8" OD Comp</b>	<b>Chrome</b>	<b>24</b>	<b>7</b>
R14 R	026613028552	1/2" Nom Sweat x 3/8" OD Comp	Rough	60	18
<b>R14 R1</b>	<b>026613964133</b>	<b>1/2" Nom Sweat x 3/8" OD Comp</b>	<b>Rough</b>	<b>24</b>	<b>7</b>
R34 C	026613029030	1/2" Nom Sweat x 1/2" OD Comp	Chrome	60	19
<b>R34 C1</b>	<b>026613096186</b>	<b>1/2" Nom Sweat x 1/2" OD Comp</b>	<b>Chrome</b>	<b>24</b>	<b>8</b>
R34 R	026613029054	1/2" Nom Sweat x 1/2" OD Comp	Rough	60	19
<b>R34 R1</b>	<b>026613099866</b>	<b>1/2" Nom Sweat x 1/2" OD Comp</b>	<b>Rough</b>	<b>24</b>	<b>8</b>



## Sweat x Compression Stops – Angle w/5" Sweat Extension

CS40 C	026613004891	1/2" Nom Sweat x 3/8" OD Comp	Chrome	30	11
--------	--------------	-------------------------------	--------	----	----

For CS stops packed with 650 C bell escutcheon, add suffix "B" (Ex. CS40B C).



## Sweat x Compression Stops – Straight w/5" Sweat Extension

CS41 C	026613004907	1/2" Nom Sweat x 3/8" OD Comp	Chrome	30	12
CS47 C	026613025391	1/2" Nom Sweat x 1/2" OD Comp	Chrome	30	13

For CS stops packed with 650 C bell escutcheon, add suffix "B" (Ex. CS40B C).



## Variations

See **page 96** for Available Variations



Lock Shield  
Loose Key  
Add Prefix "**S**"



Lock Shield  
Screwdriver Slot  
Add Prefix "**SS**"



Stuffing Box  
Add Prefix "**T**"



Sweat and loose key stops are furnished with brass stems. All others are furnished with corrosion resistant P.O.M. stems. Brass Stem (Non-Sweat) Add Suffix "**Z**" e.g., OCR19Z C



Stuffing Box  
Lock Shield  
Loose Key  
Add Prefix "**ST**"



Stuffing Box  
Lock Shield  
Screwdriver Slot  
Add Prefix "**SST**"



Cross Handle  
Add Prefix "**X**"



Round (Brass) Handle  
Add Prefix "**XX**"